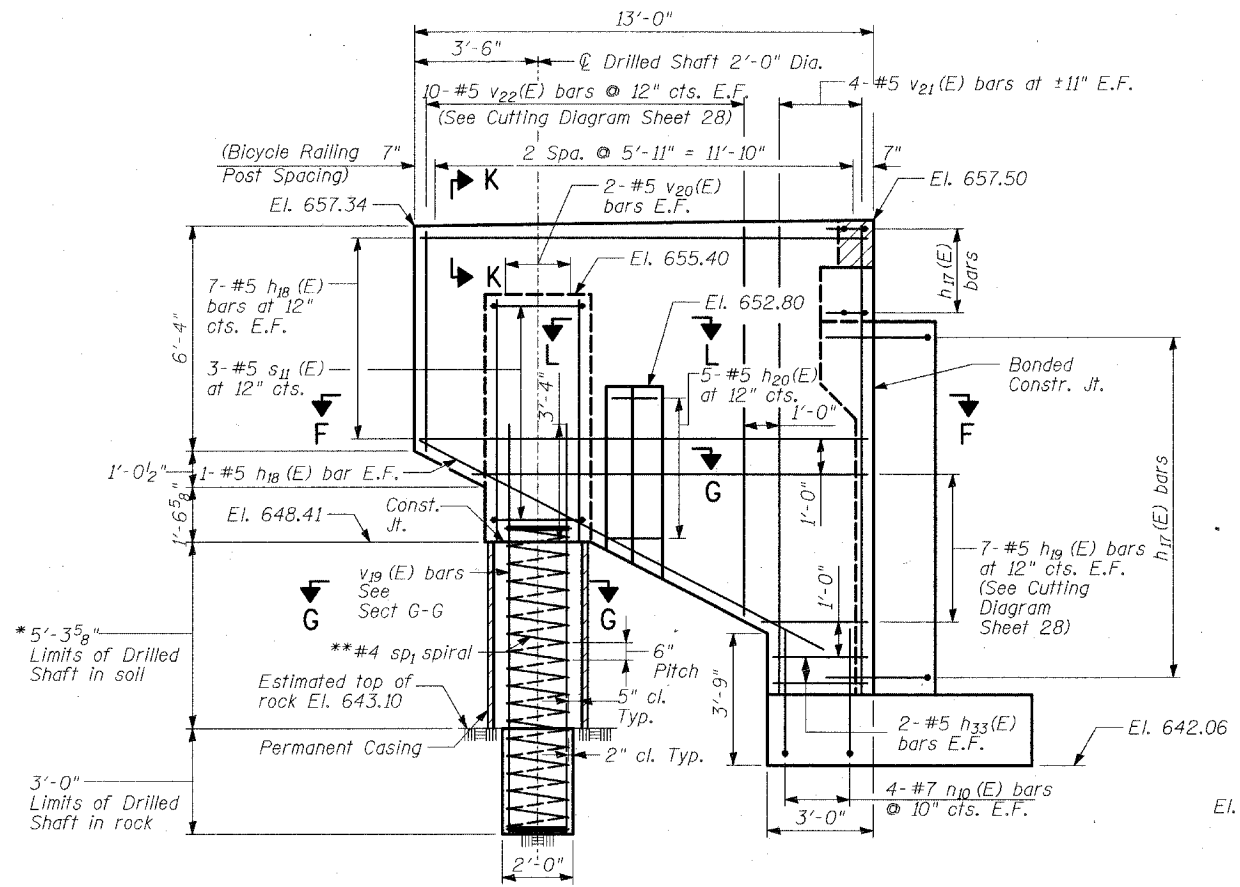
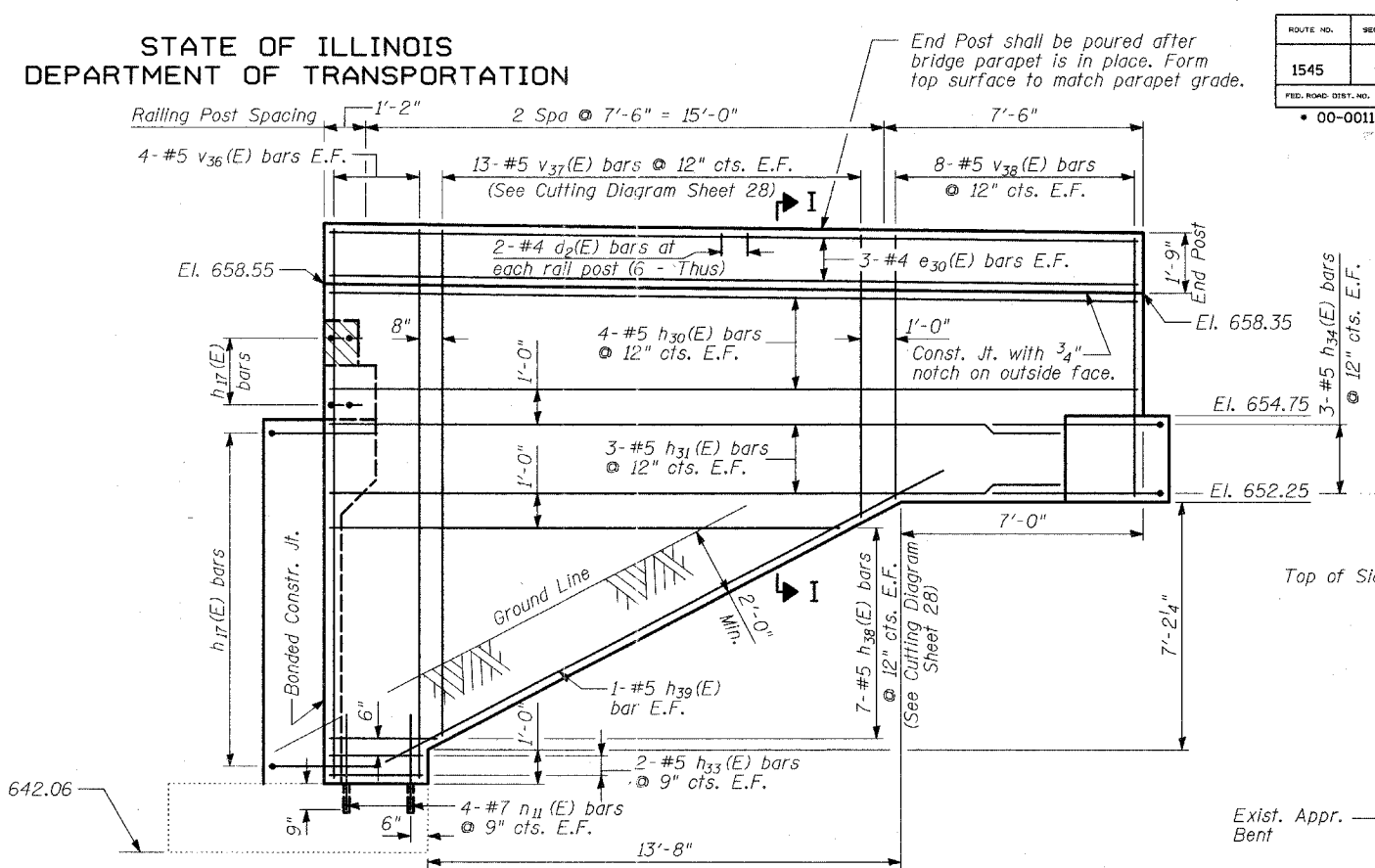


STATE OF ILLINOIS
DEPARTMENT OF TRANSPORTATION

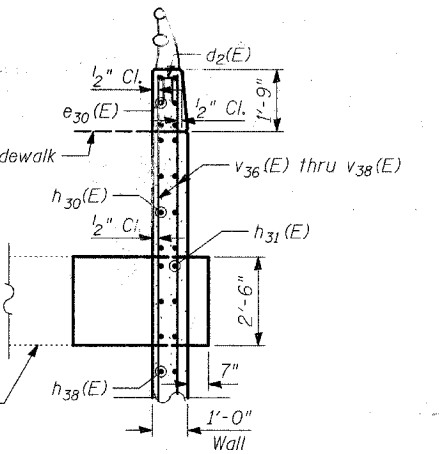
ROUTE NO.	SECTION	COUNTY	STATION	SHEET NO.	SHEET NO. - 23
1545	*	DUPAGE	97	44	39 - SHEETS
FED. ROAD DIST. NO.		ILLINOIS	FED. AID PROJECT-		CONTRACT NO. 83961
00-00115-00-BR					



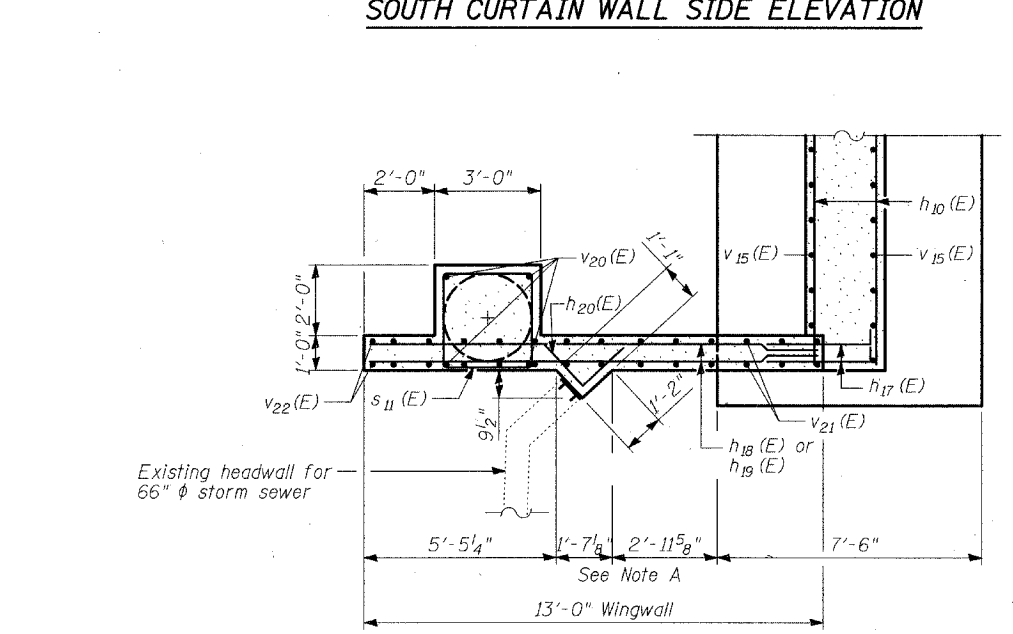
SOUTH CURTAIN WALL SIDE ELEVATION



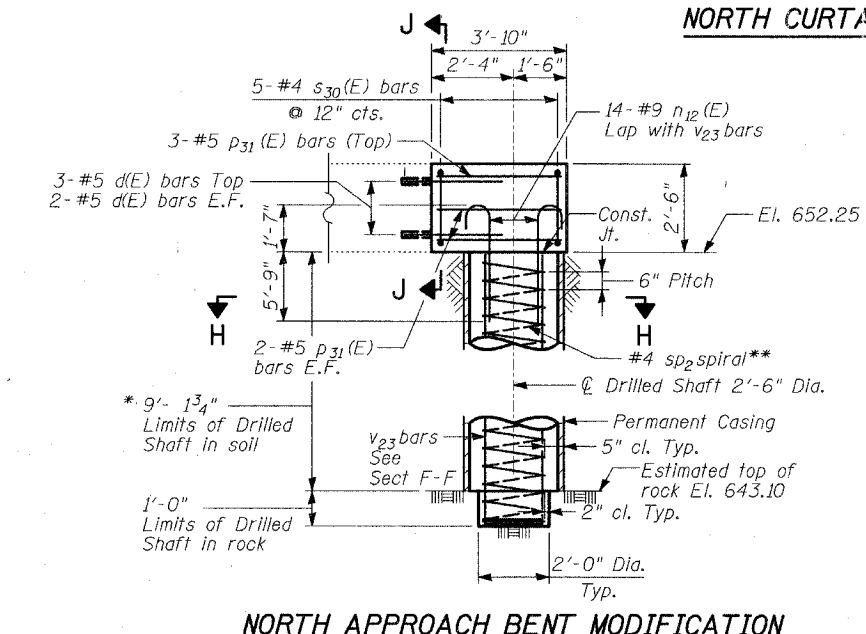
NORTH CURTAIN WALL SIDE ELEVATION



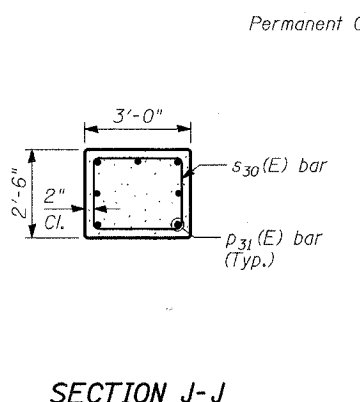
SECTION I-I



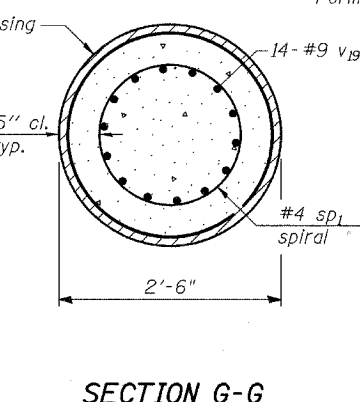
SECTION F-F



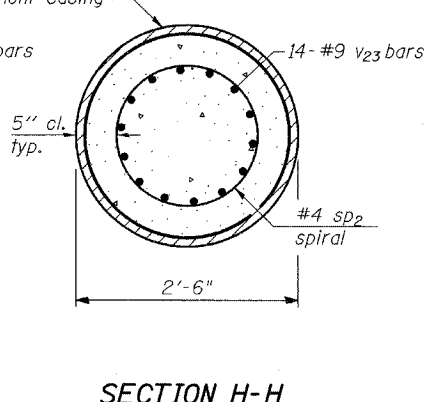
NORTH APPROACH BENT MODIFICATION



SECTION J-J

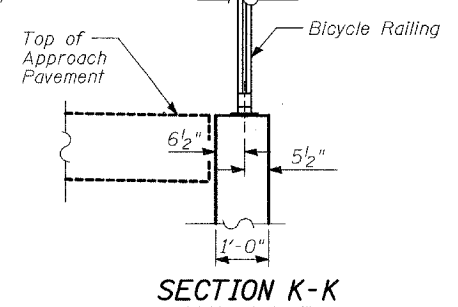


SECTION G-G

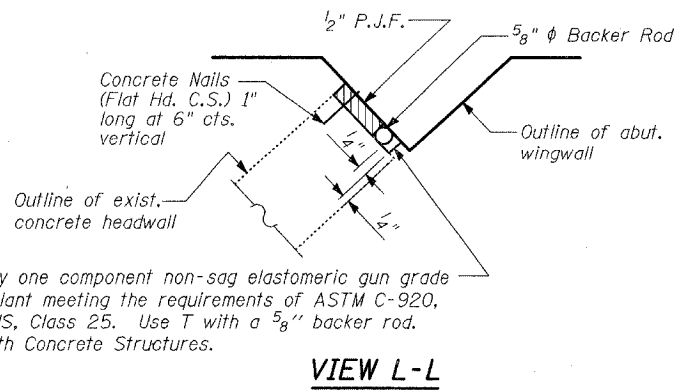


SECTION H-H

Note A:
Contractor to field verify location of existing headwall.
Adjust dimension in field if necessary.



SECTION K-K



VIEW L-L

- * The quantities and detailing are based on the estimated elevations shown on the plans. The actual elevations may differ at each shaft and corresponding adjustments shall be made to the drilled shaft and reinforcement quantities and payment limits.
- ** Provide 1/2 extra turns top and bottom of each drilled shaft. Extend spiral 2'' into abutment footing. Provide min. 4-#4 spacers or equivalent.

Notes:
Quantity of concrete in end post is included with concrete superstructure on Sheet 14.

TYLIN INTERNATIONAL

DESIGNED	- PL, SNB
CHECKED	- SP
DRAWN	- PL, SNB
CHECKED	- SP

WEST ABUTMENT CURTAIN WALLS

BAILEY ROAD OVER THE
WEST BRANCH OF THE DUPAGE RIVER
FAU 1545
SECTION 00-00115-00-BR STA. 2+99.15
DUPAGE COUNTY
S.N. 022-3028