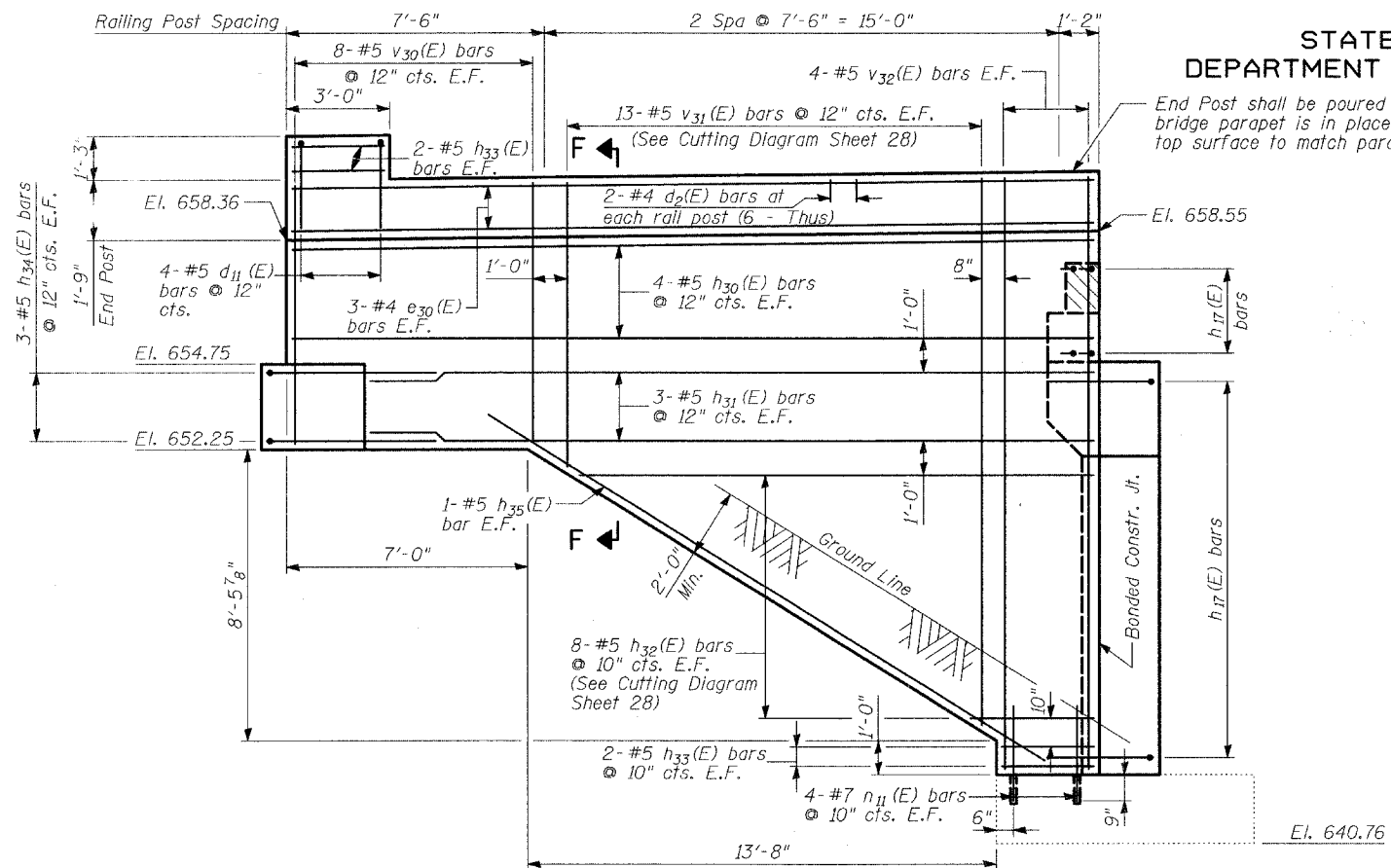
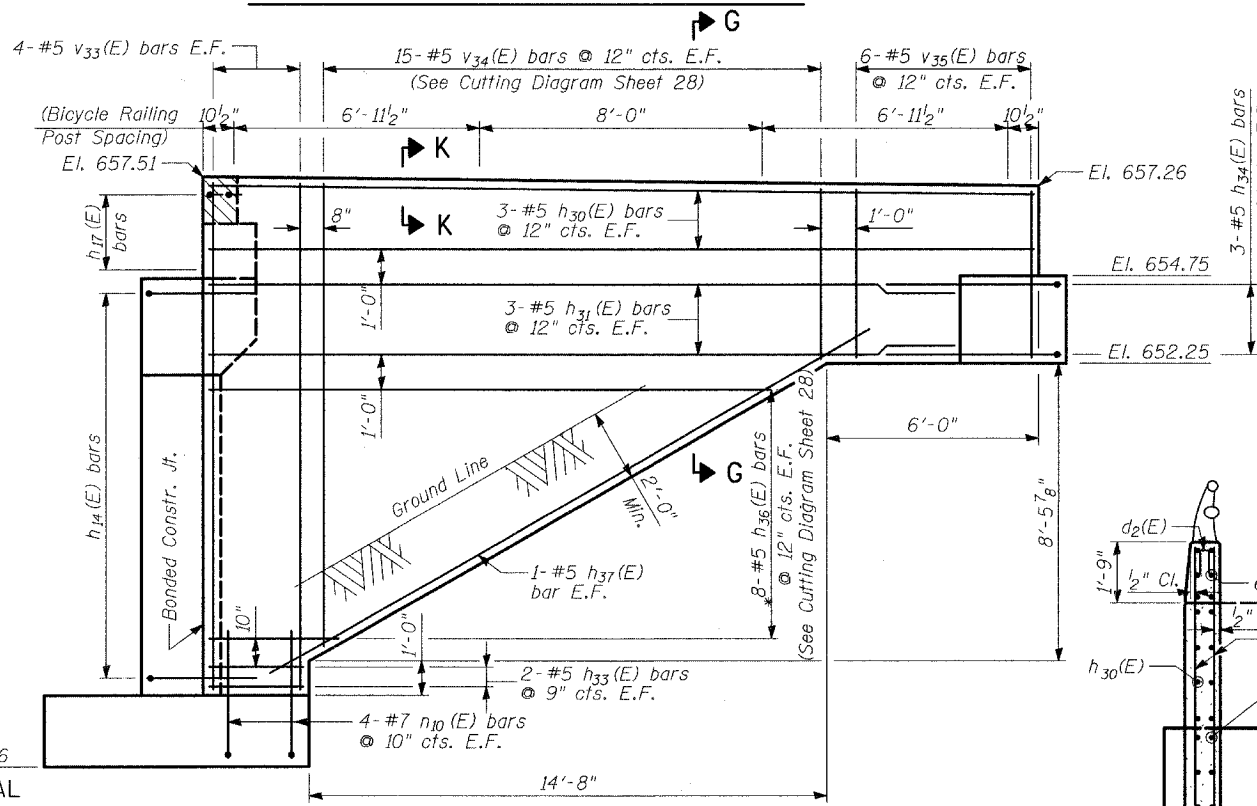


STATE OF ILLINOIS
DEPARTMENT OF TRANSPORTATION

ROUTE NO.	SECTION	COUNTY	LETS	SHEET NO.	SHEET NO. - 26
1545	*	DUPAGE	97	47	39 - SHEETS
FED. ROAD DIST. NO.	ILLINOIS	FED. AID PROJECT			
* 00-00115-00-BR			CONTRACT NO. 83961		

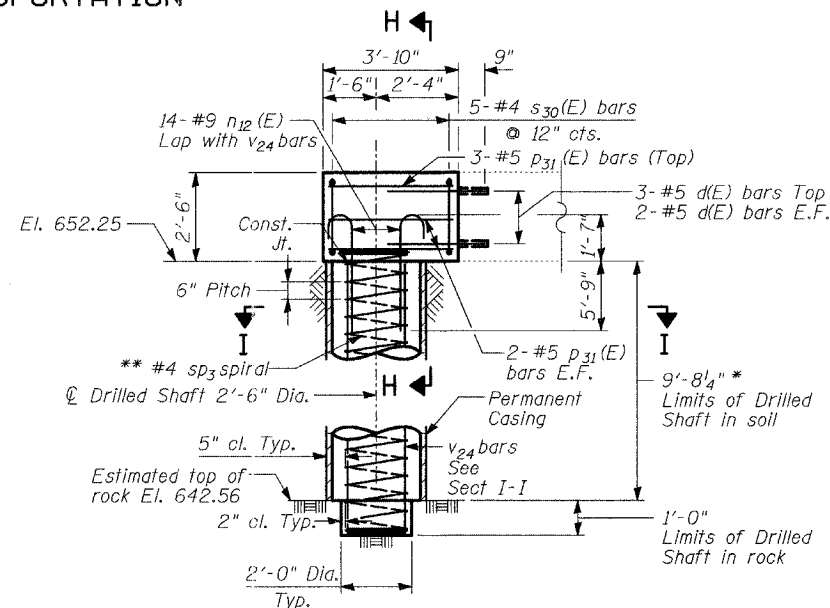


NORTH CURTAIN WALL SIDE ELEVATION

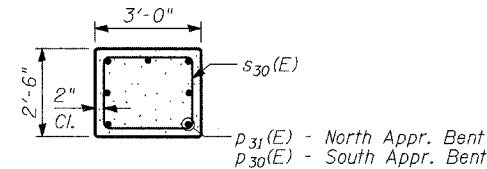


SOUTH CURTAIN WALL SIDE ELEVATION

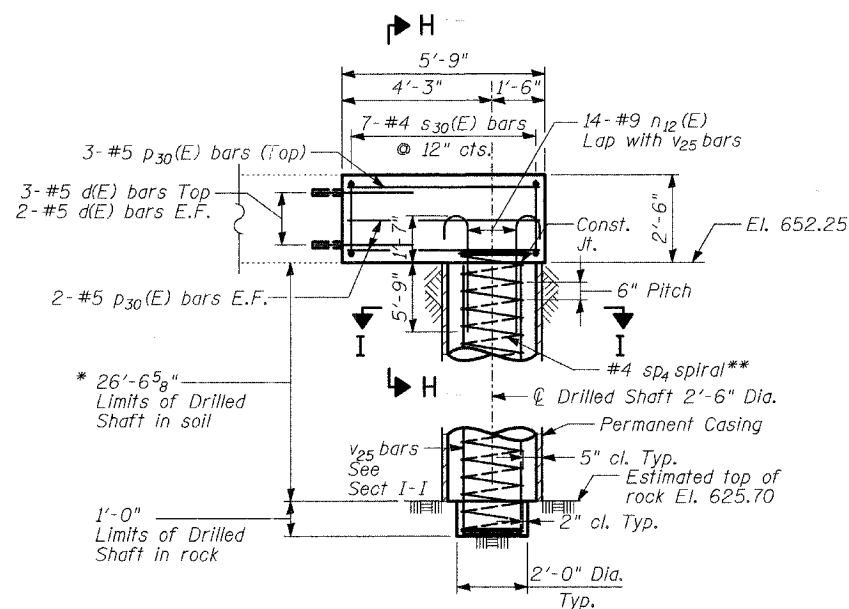
End Post shall be poured after bridge parapet is in place. Form top surface to match parapet grade.



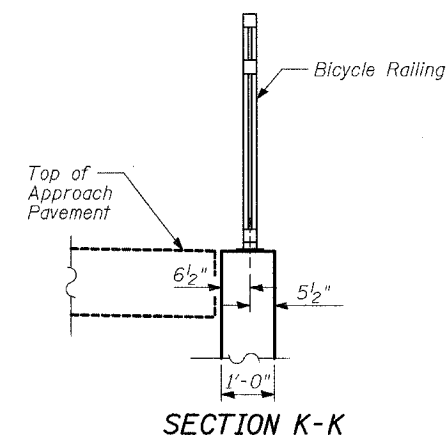
NORTH APPROACH BENT MODIFICATION



SECTION H-H



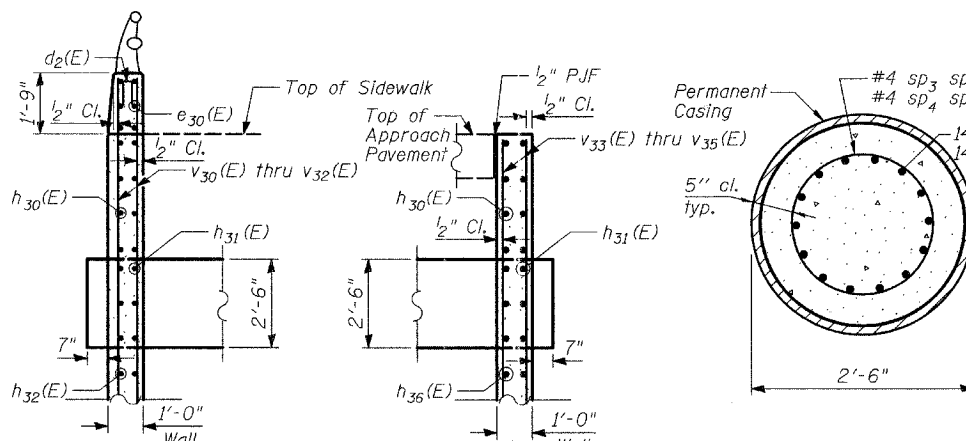
SOUTH APPROACH BENT MODIFICATION



SECTION K-K

* The quantities and detailing are based on the estimated elevations shown on the plans. The actual elevations may differ at each shaft and corresponding adjustments shall be made to the drilled shaft and reinforcement quantities and payment limits.

** Provide 1/2 extra turns top and bottom of each drilled shaft. Extend spiral 2" into abutment footing. Provide min. 4-#4 spacers or equivalent.



SECTION F-F

SECTION G-G

SECTION I-I

TYLIN INTERNATIONAL

DESIGNED	- SNB
CHECKED	- SP
DRAWN	- SNB
CHECKED	- SP

EAST ABUTMENT CURTAIN WALLS

BAILEY ROAD OVER THE
WEST BRANCH OF THE DUPAGE RIVER
FAU 1545
SECTION 00-00115-00-BR STA. 2+99.15
DUPAGE COUNTY
S.N. 022-3028