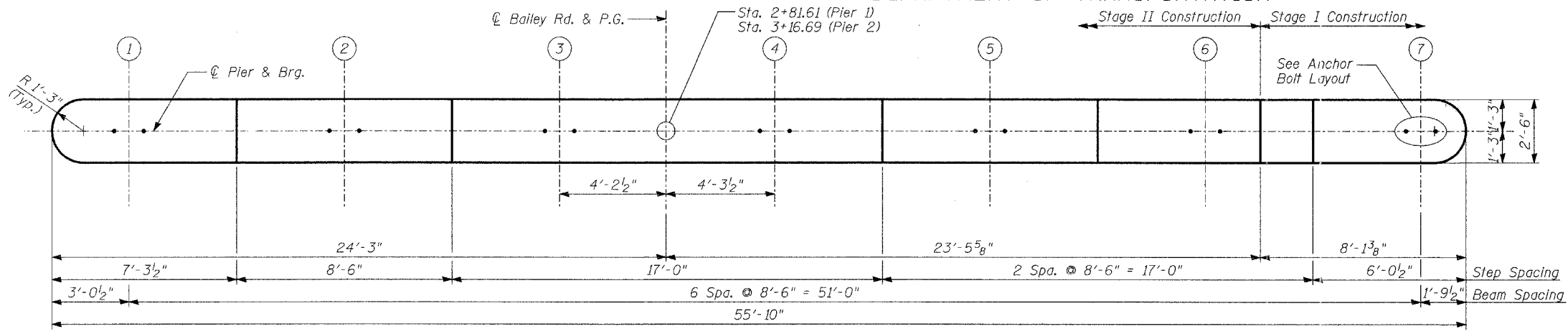


STATE OF ILLINOIS  
DEPARTMENT OF TRANSPORTATION

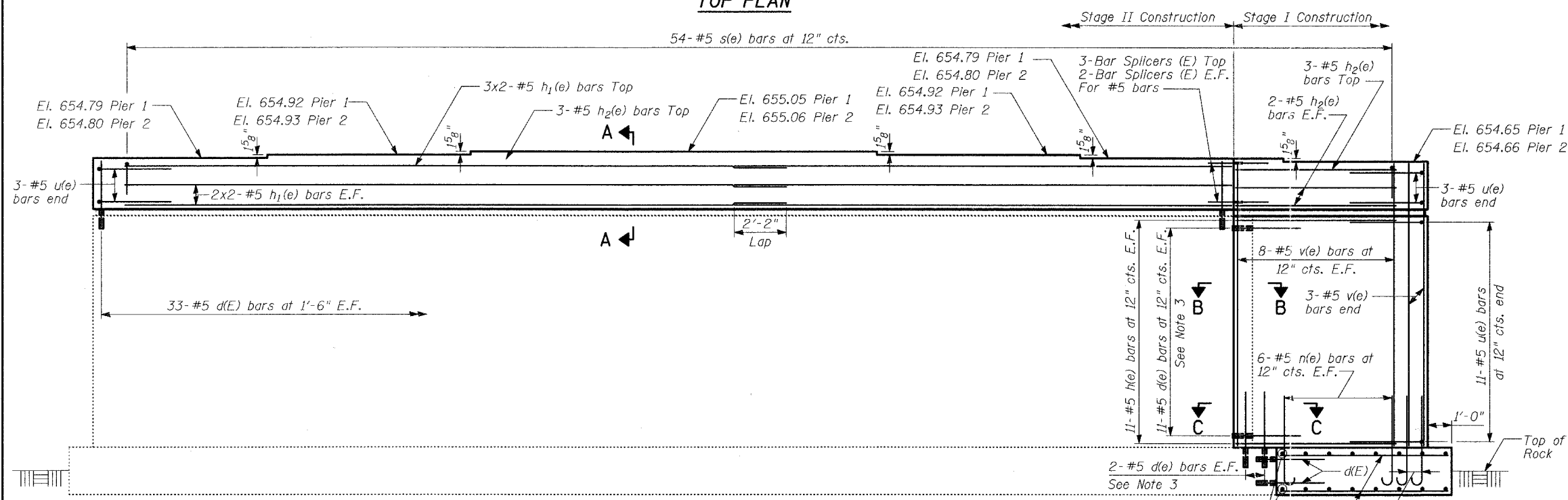
ROUTE NO.	SECTION	COUNTY	TOTAL SHEETS	SHEET	SHEET NO. - 29
1545	*	DUPAGE	97	50	39 - SHEETS
FED. ROAD DIST. NO.	ILLINOIS	FED. AID PROJECT	CONTRACT NO. 83961		
* 00-00115-00-BR					

NOTES:

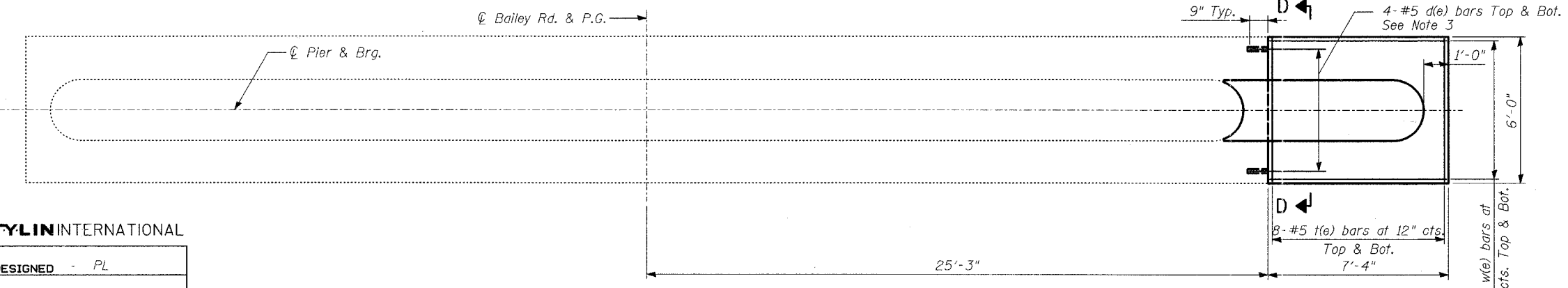
1. Space reinforcement in pier to miss anchor bolts.
2. All edges shall have standard  $\frac{3}{4}$ " chamfers.
3. Epoxy grout bars in 9" deep minimum drilled holes according to Article 584 of the Standard Specifications. The grout and method of application shall be approved by the Engineer.
4. Bars indicated thus: 3x2-#5 etc. indicates 3 lines of bars with 2 lengths per line.
5. For Section C-C and Section D-D see Sheet 30.
6. For Bill of Material see Sheet 30.
7. Pour steps monolithically with Pier Cap.
8. Allowable Bearing Pressure 12,000 psf.



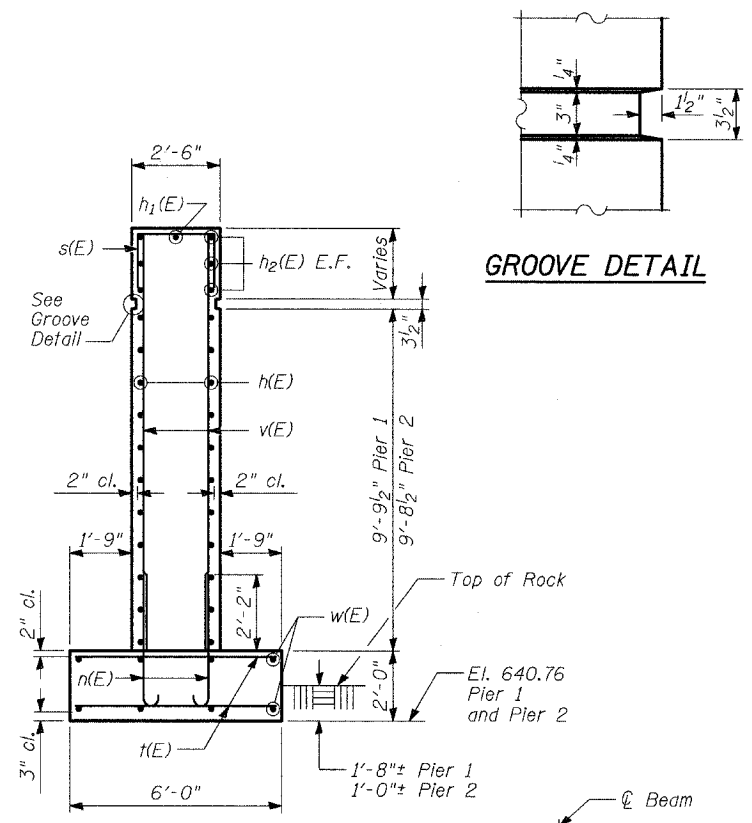
TOP PLAN



ELEVATION  
(Looking East)



FOOTING PLAN



END VIEW

ANCHOR BOLT LAYOUT

TYLIN INTERNATIONAL

DESIGNED	- PL
CHECKED	- DJE
DRAWN	- PL
CHECKED	- DJE

LEGEND

E.F. indicates Each Face

PIERS 1 & 2  
BAILEY ROAD OVER THE  
WEST BRANCH OF THE DUPAGE RIVER  
FAU 1545  
SECTION 00-00115-00-BR STA. 2+99.15  
DUPAGE COUNTY  
S.N. 022-3028