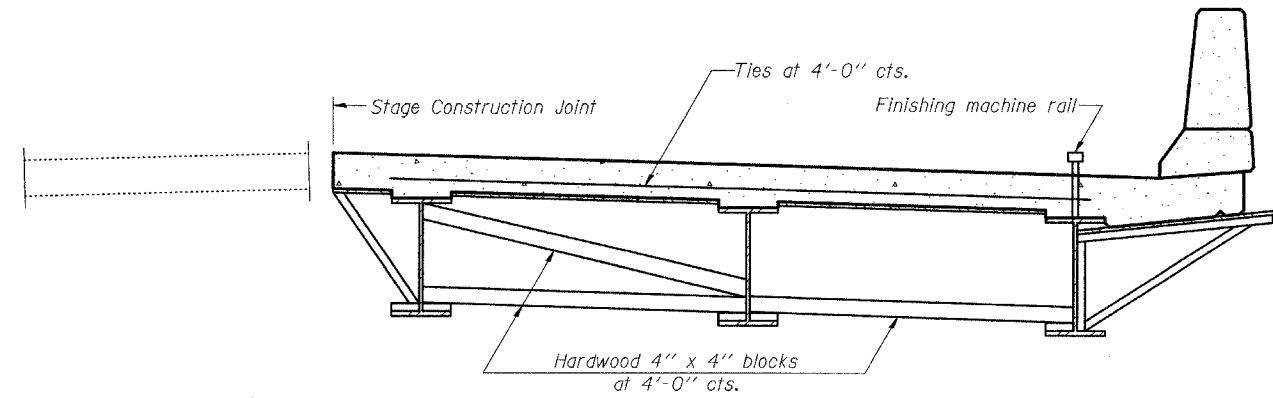


STATE OF ILLINOIS
DEPARTMENT OF TRANSPORTATION

| | | | | | |
|---------------------|----------|------------------|--------------------|-----------|----------------|
| ROUTE NO. | SECTION | COUNTY | TOTAL SHEETS | SHEET NO. | SHEET NO. - 32 |
| 1545 | • | DUPAGE | 97 | 53 | 39 - SHEETS |
| FED. ROAD DIST. NO. | ILLINOIS | FED. AID PROJECT | CONTRACT NO. 83961 | | |
| • 00-00115-00-BR | | | | | |



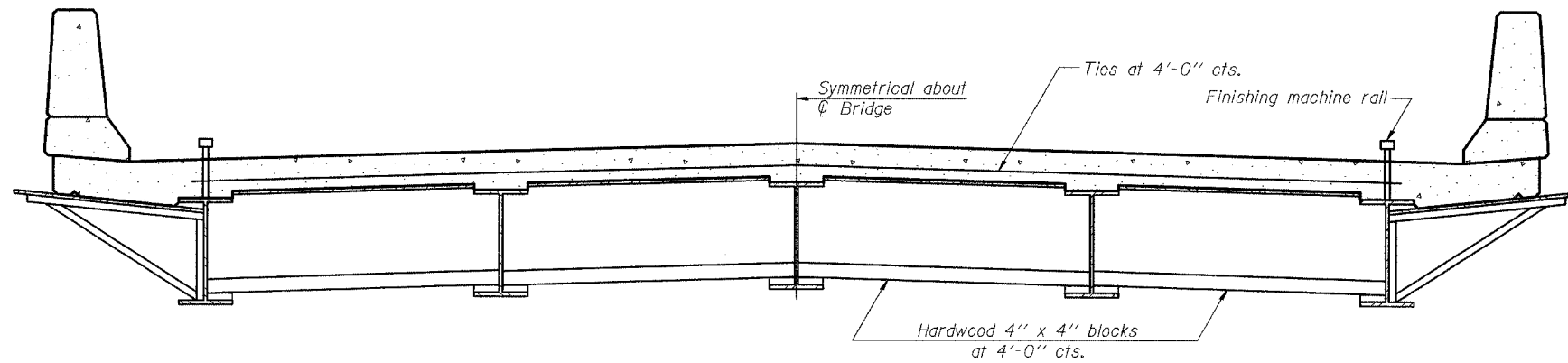
**FORM BRACES FOR
STAGE CONSTRUCTION**

When cantilever forming brackets are used, the work shall be done according to Article 503.06 (b) of the Standard Specifications, except as modified below and in the details shown on this sheet.

The finishing machine rails shall be placed on the top flange of the exterior beams.

The beams or girders, supporting cantilever forming brackets, shall be tied together at 4 foot intervals.

For Standard construction, or Stage Construction the Hardwood bracing materials shall be placed as shown between webs of beams in each bay.



**FORM BRACES FOR
STANDARD CONSTRUCTION**

TYLIN INTERNATIONAL

| | | |
|----------|---|-----|
| DESIGNED | - | SNB |
| CHECKED | - | SP |
| DRAWN | - | SNB |
| CHECKED | - | SP |

CANTILEVER FORMING BRACKETS

BAILEY ROAD OVER THE
WEST BRANCH OF THE DUPAGE RIVER
FAU 1545
SECTION 00-00115-00-BR STA. 2+99.15
DUPAGE COUNTY
S.N. 022-3028