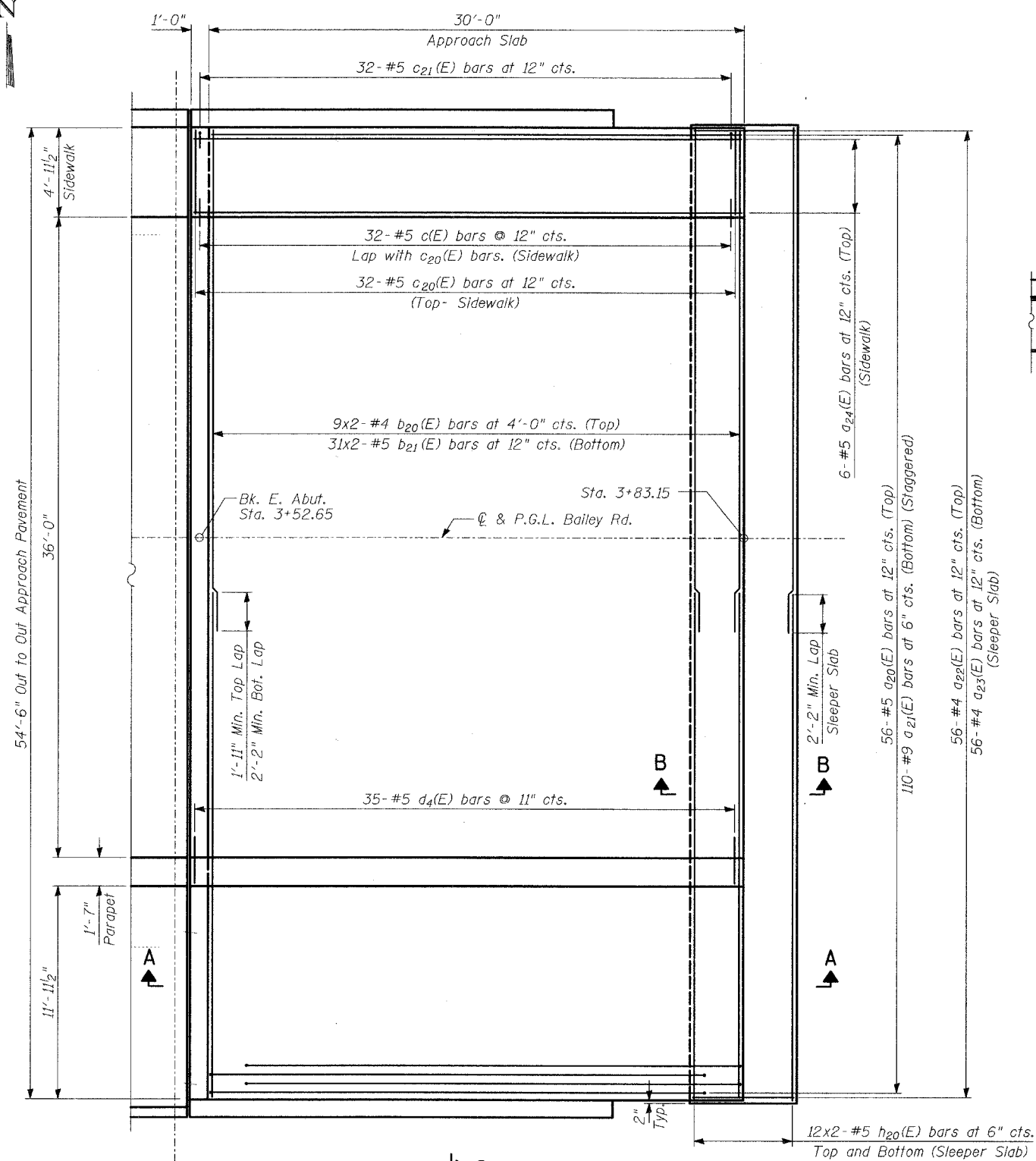


STATE OF ILLINOIS  
DEPARTMENT OF TRANSPORTATION

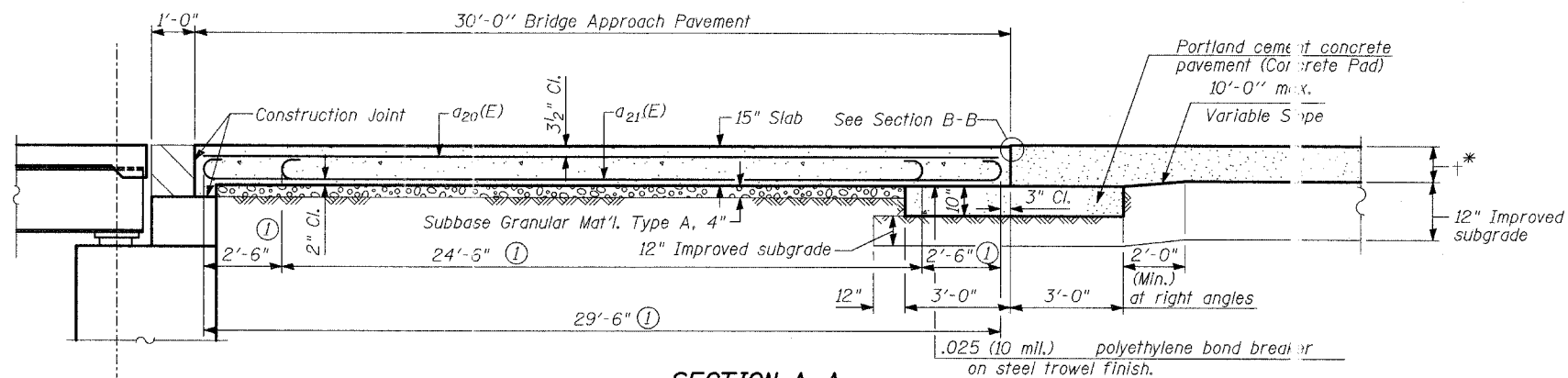
ROUTE NO.	SECTION	COUNTY	TOTAL SHEETS	SHEET NO.	SHEET NO. - 38 39 - SHEETS
1545	*	DUPAGE	97	59	
FED. ROAD DIST. NO.		ILLINOIS	FED. AID	PROJECT	
00-00115-00-BR		CONTRACT NO. 83961			



PLAN

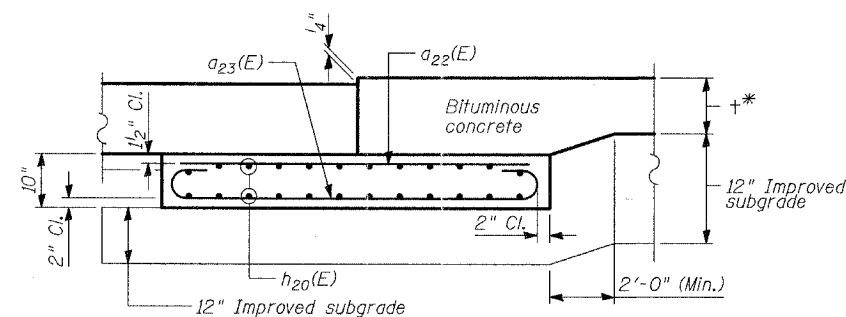
TYLIN INTERNATIONAL

DESIGNED	- DE
CHECKED	- SNB
DRAWN	- TE
CHECKED	- SNB



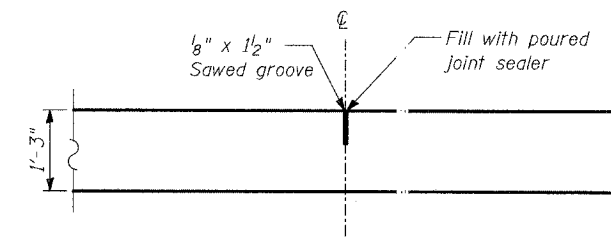
SECTION A-A

① Stagger a<sub>21</sub>(E) bars as shown on plan  
\* See Proposed Plan and Profile Sheet for thickness



SECTION B-B - FLEXIBLE PAVEMENT

(Showing reinforcement)  
\* See Proposed Plan and Profile Sheet for thickness



DETAIL B

(Reinforcement Not Shown)

NOTES:

- With the approval of the Engineer, the Contractor will be permitted to reduce the paving widths by substituting a Longitudinal Construction Joint with tie bars, as shown in Standard 420401, in lieu of the Specified Sawed Longitudinal Joint.
- The Contractor shall provide the details shown in Detail B at the C/L on Bailey Rd. and at a lane edge if pavement is poured two or more lanes at a time.
- Bars indicated thus 31x2-#5 indicates 31 lines of bars with 2 lengths per line.
- The cost of tie bars, expansion joint, preformed joint seal, polyethylene bond breaker, reinforcement bars, sidewalk, the concrete pad (including reinforcement), 4" granular subbase and excavation shall be included in the cost of Bridge Approach Pavement (Special).
- See Sheet 39 for Section C-C.

EAST APPROACH PAVEMENT LAYOUT

BAILEY ROAD OVER THE  
WEST BRANCH OF THE DUPAGE RIVER  
FAU 1:45  
SECTION 00-00115-00 BR STA. 2+99.15  
DUPAGE COUNTY  
S.N. 022 3028