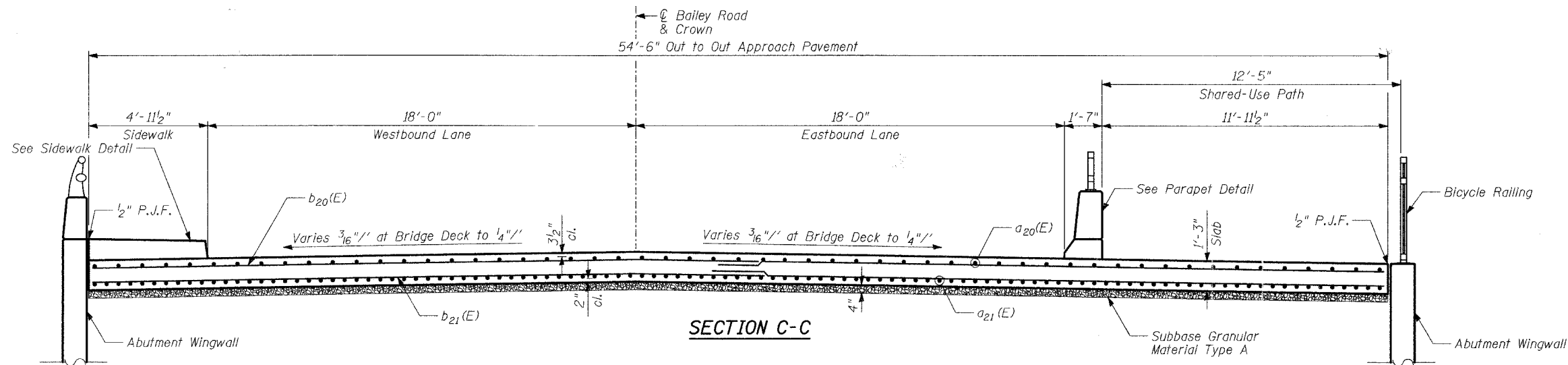


STATE OF ILLINOIS
DEPARTMENT OF TRANSPORTATION

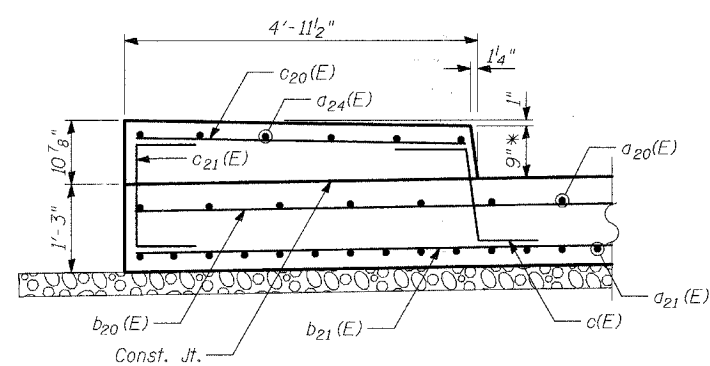
ROUTE NO.	SECTION	COUNTY	TOTAL SHEETS	SHEET NO.	SHEET NO. - 39
1545	*	DUPAGE	97	60	39 - SHEETS
FED. ROAD DIST. NO.	ILLINOIS	FED. AID	CONTRACT NO. 83961		
* 00-00115-00-BR					



BILL OF MATERIAL

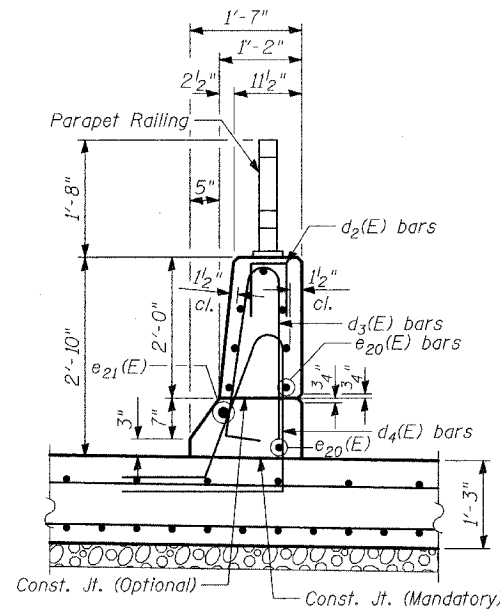
Bar	No.	Size	Length	Shape
a ₂₀ (E)	56	#5	29'-6"	
a ₂₁ (E)	110	#9	29'-6"	
a ₂₂ (E)	56	#4	5'-"	
a ₂₃ (E)	56	#4	6'-"	
a ₂₄ (E)	6	#5	30'-8"	
b ₂₀ (E)	18	#4	28'-1"	
b ₂₁ (E)	62	#5	28'-3"	
c(E)	32	#5	2'-"	
c ₂₀ (E)	32	#5	4'-"	
c ₂₁ (E)	32	#5	3'-"	
d ₂ (E)	8	#4	2'-"	
d ₃ (E)	35	#5	5'-"	
d ₄ (E)	35	#5	7'-"	
e ₂₀ (E)	8	#4	30'-8"	
e ₂₁ (E)	1	#8	30'-8"	
h ₂₀ (E)	48	#5	28'-5"	
Bridge Approach Pavement (Special)			SQ YD	182
Protective Coat			SQ YD	209
** Reinforcement Bars, Epoxy Coated			Pound	18,105

** Provided for information only

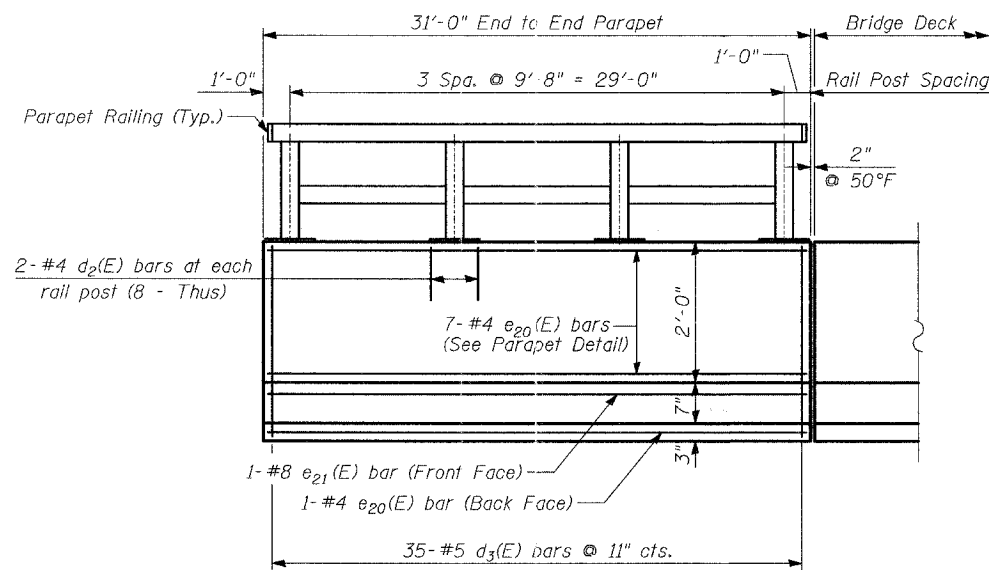


SIDEWALK DETAIL

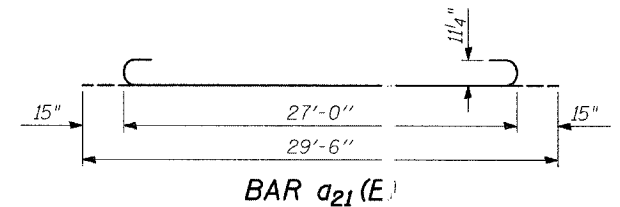
* Transition to match approach curb & gutter shape in last 10' of approach pavement.



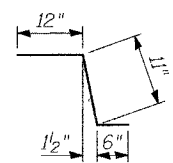
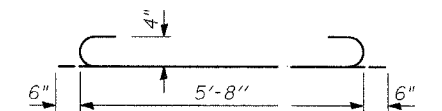
PARAPET DETAIL



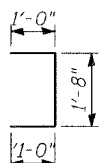
INSIDE ELEVATION OF PARAPET



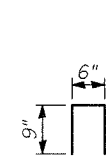
BAR a23(E)



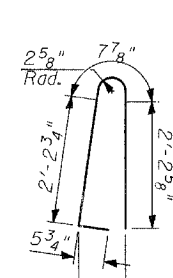
BAR c(E)



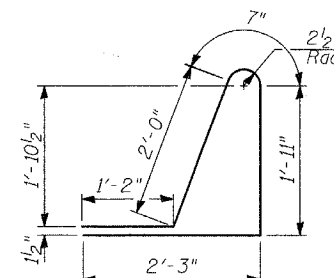
BAR c₂₁(E)



BAR d₂(E)



BAR d₃(E)



BAR d₄(E)

TYLIN INTERNATIONAL

DESIGNED	- DE
CHECKED	- SNB
DRAWN	- DE
CHECKED	- SNB

EAST APPROACH PAVEMENT DETAILS

BAILEY ROAD OVER THE
WEST BRANCH OF THE DUPAGE RIVER
FAU 145
SECTION 00-00115-00 BR STA. 2+99.15
DUPAGE COUNTY
S.N. 022-3028