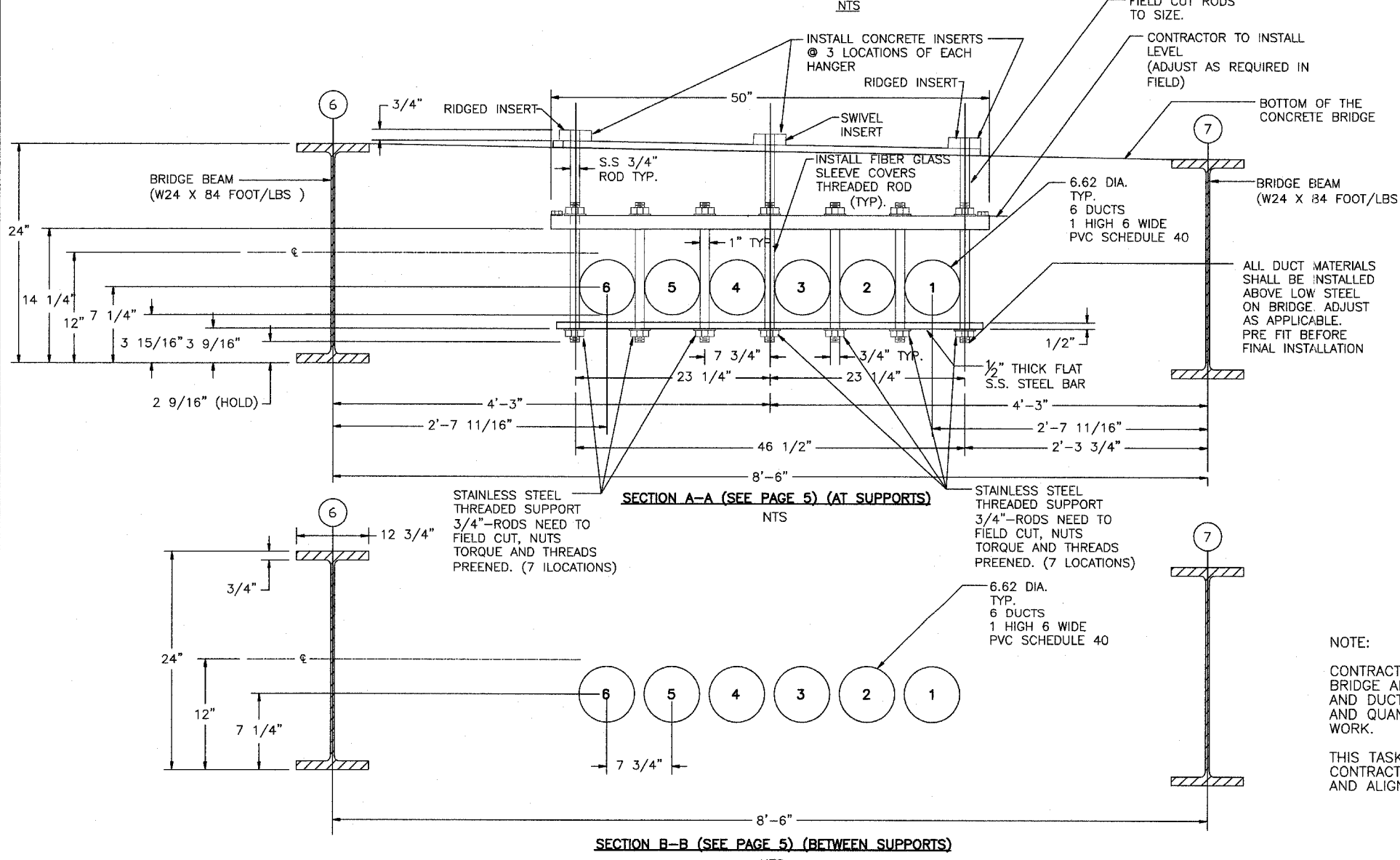
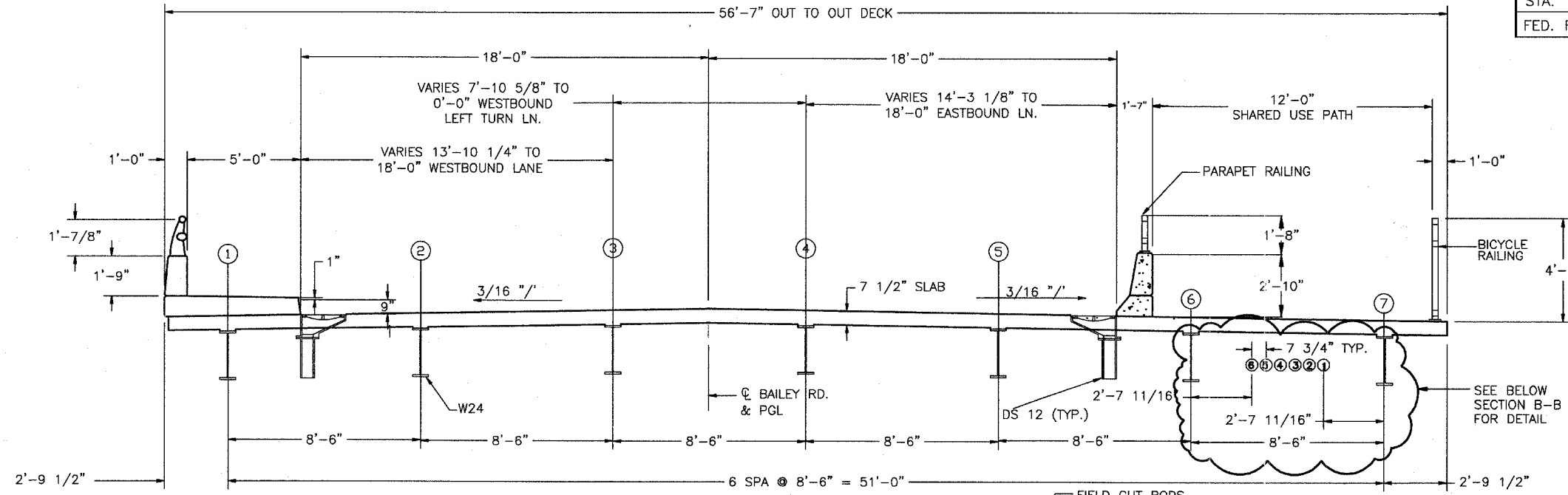
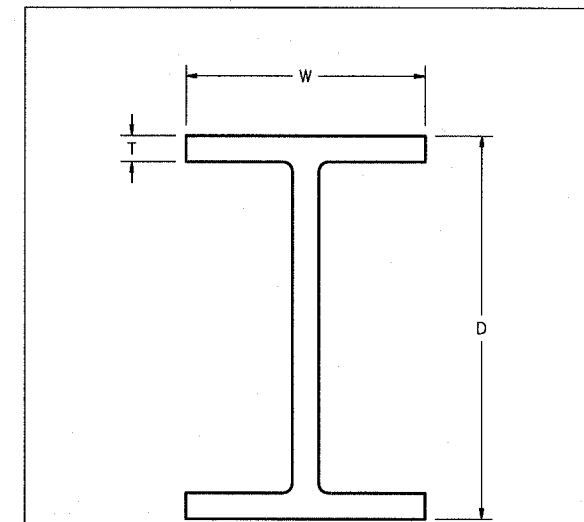


DUCT LOCATION IN BRIDGE

F.A.U. RTE.	SECTION	COUNTY	TOTAL SHEETS	SHEET NO
1545	00-00115-00-BR	DUPAGE	97	73
STA. 1+31.77		TO STA. 5+50.00		
FED. ROAD DIST. NO.	ILLINOIS	FED. AID PROJECT		
CONTRACT 83961				



BEAM DIMENSION INFORMATION FOR WIDE FLANGE W SHAPES



SECTION NUMBER	WT. PER FOOT (LBS)	DIMENSIONS		
		D	W	T
W24	84	24	12 3/4	3/4

NOTE:

CONTRACTOR TO LAYOUT SECTION THROUGH BRIDGE AND PREFIT ALL HANGERS, INSERTS AND DUCT MATERIALS FOR PROPER FIT AND QUANTITY PRIOR TO PROCEEDING TO WORK.

THIS TASK MAY BE REPEATED BY THE CONTRACTOR TO ENSURE PROPER FIT AND ALIGNMENT.

CITY OF NAPERVILLE/DEPARTMENT OF PUBLIC UTILITIES - ELECTRIC			
CALL J.U.L.E. 48 HRS. PRIOR TO CONSTRUCTION			
PROJECT TITLE BAILEY RD. BRIDGE DUCTBANK INSTALLATION	PROJECT NO. 2054/1323	DATE FILED 06-15-07	FILED NO. EUI2-06-04
COORDINATED WITH BRIDGE IMPROVEMENT	WORK NUMBER 58199	SCALE NTS	COMPLETION DATE
DATE 06-15-07	ISSUED TIPS	ENGINEER NTS	SHEET 7 OF 23