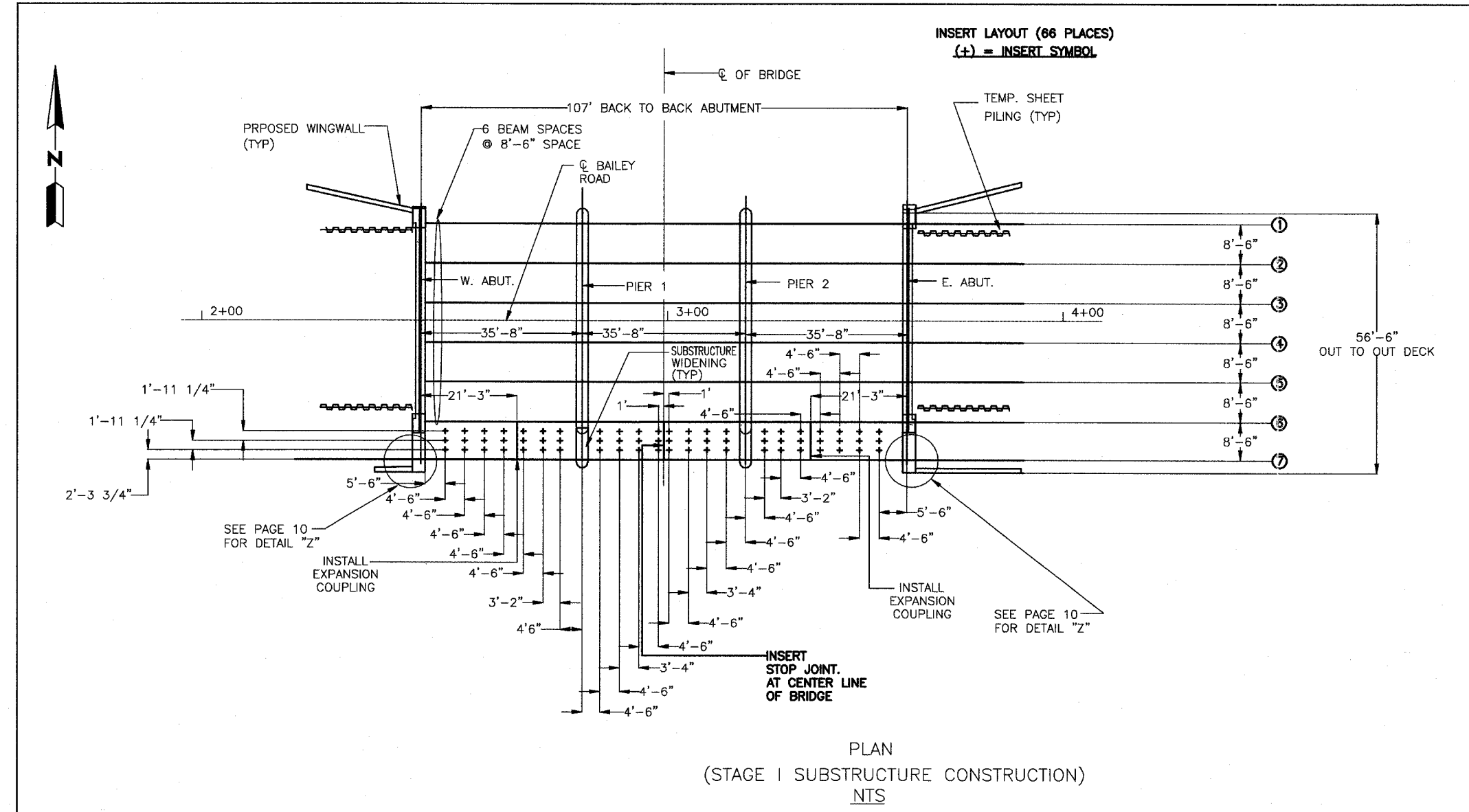
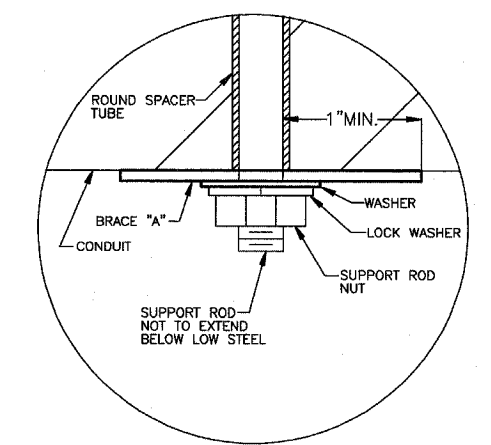


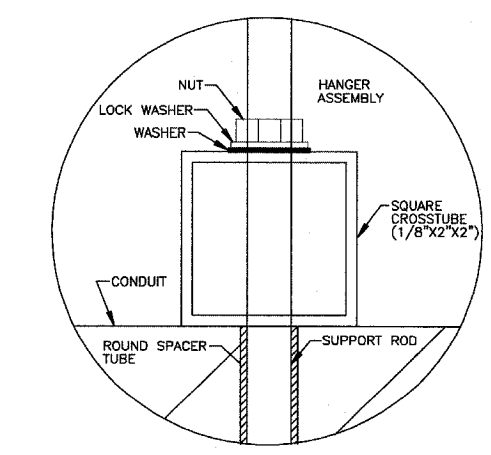
F.A.U. RTE.	SECTION	COUNTY	TOTAL SHEETS	SHEET NO
1545	00-00115-00-BR	DUPAGE	97	74
STA. 1+31.77		TO STA. 5+50.00		
FED. ROAD DIST. NO.	ILLINOIS	FED. AID PROJECT		
CONTRACT 83961				



- NOTES:**
- 1) ALL 3/4 CONCRETE INSERTS WITH SWIVEL NUTS SHALL BE INSTALLED ON THE INSIDE SUPPORT ROD HANGER.
  - 2) BRACE ITEM K (PAGE-7) SHALL BE INSTALLED AT 4'-6" SPACING. ON THE OUTSIDE AT BOTH BRIDGE ABUTMENTS.
  - 3) ALL INSERTS SHALL BE CHECKED BY VISUAL OBSERVATION AND HAND CHECKED TO BE SURE THAT THE INSERTS WILL NOT MOVE OR FALL OFF DURING THE CONCRETE POUR PROCESS.
  - 4) CONTRACTOR SHALL ALLOW FOR DELAY DUE TO CONCRETE CURING WHICH CAN TAKE UP TO 6 WEEKS OR MORE.
  - 5) CONTRACTOR TO PROVIDE FALL PROTECTION.

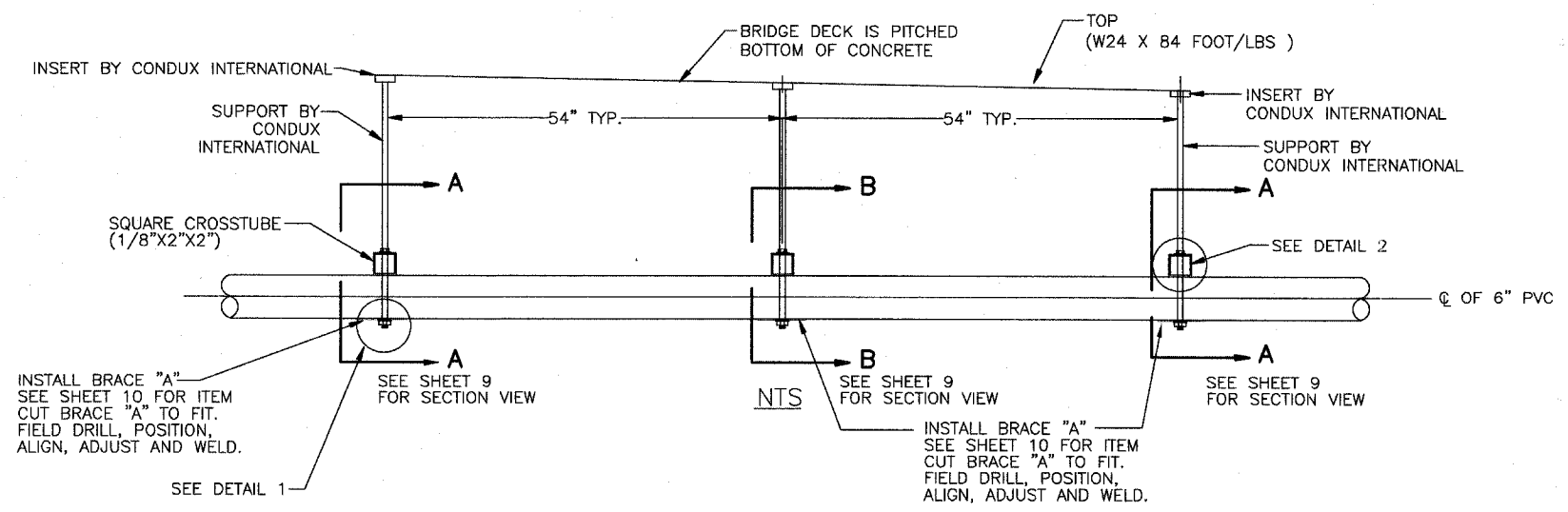


**DETAIL 1**



**DETAIL 2**

**NOTE:** SEE PAGE 9 FOR SECTION A-A AND B-B.



<b>CITY OF NAPERVILLE/DEPARTMENT OF PUBLIC UTILITIES - ELECTRIC</b>			
CALL J.U.L.I.E. 48 HRS. PRIOR TO CONSTRUCTION			
PROJECT NO. BAILEY RD. BRIDGE DUCTBANK INSTALLATION	MAP NO. 2054/1323	ORD FILE NO. 008160001C12.010	PROJECT NO. EU12-08-04
COORDINATED WITH BRIDGE IMPROVEMENT		SCALE: JK	COMPLETED BY:
ISSUED: 05-18-07	WORK NUMBER: 58199	SCALE: NTS	SHEET 8 OF 23
ENGINEER: RPS	APPROVED:	SCALE:	