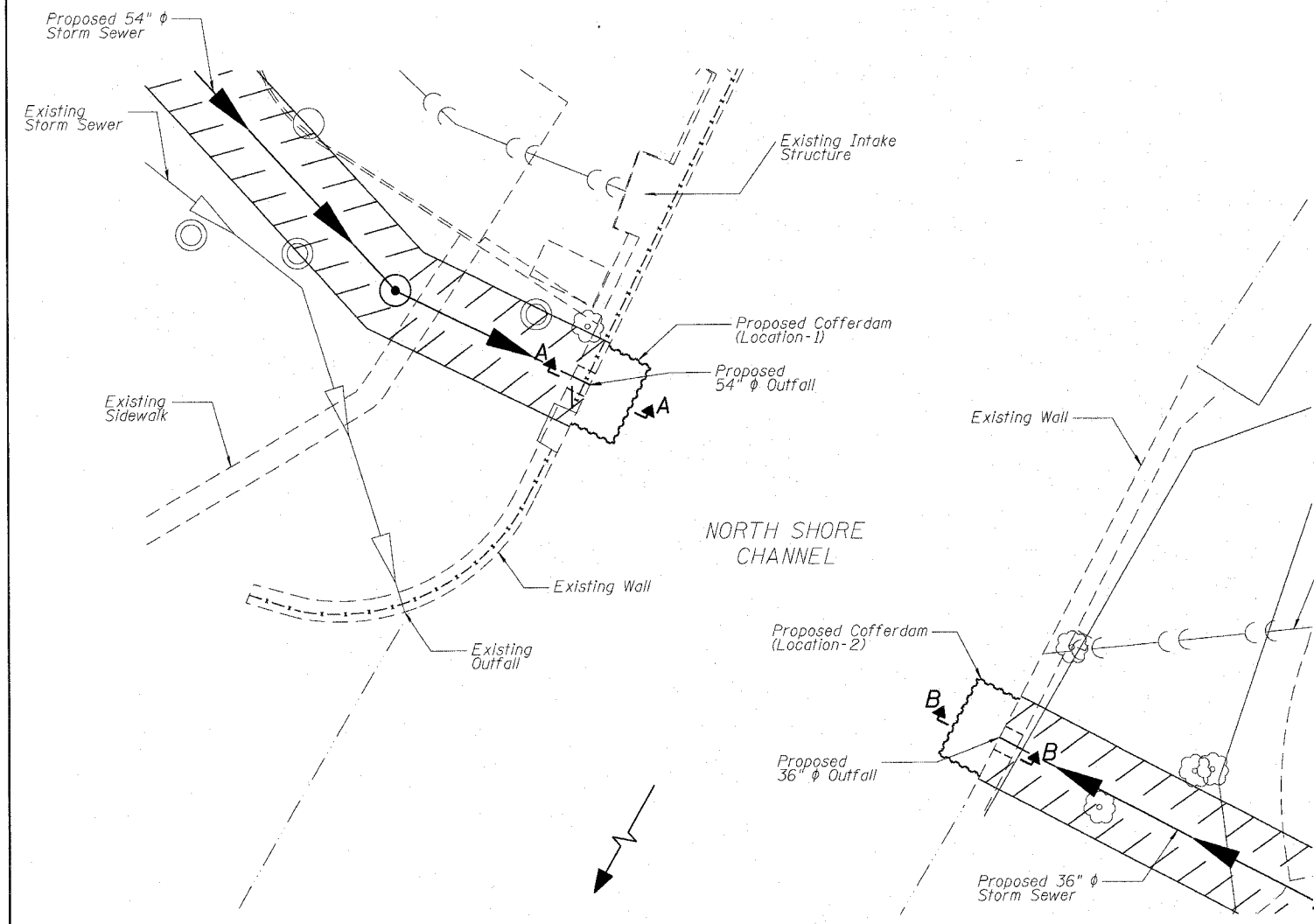
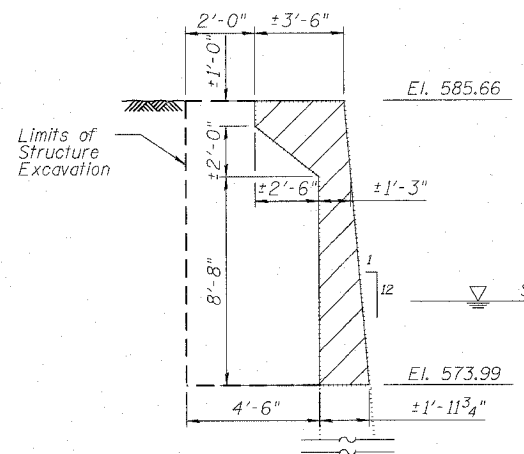


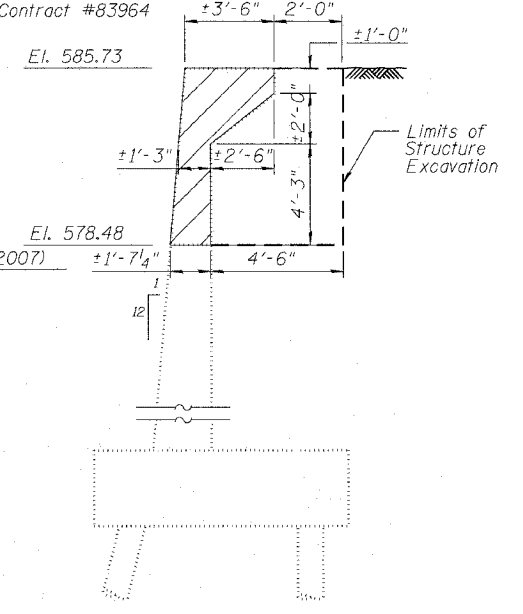
ROUTE NO.	SECTION	COUNTY	SHEET NO.	SHEET NO. 1
FAP 3509	00-00173-00-FP	COOK	246	73
FED. ROAD DIST. NO. 7		ILLINOIS	FED. AID PROJECT	2 SHEETS
Contract #83964				



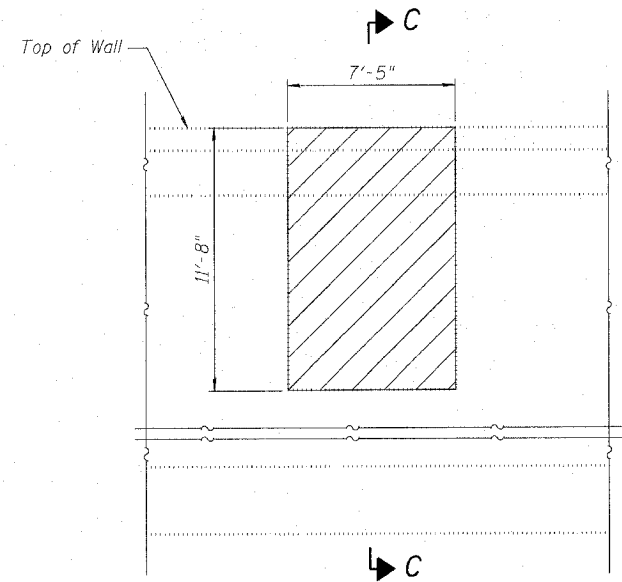
CHANNEL PLAN



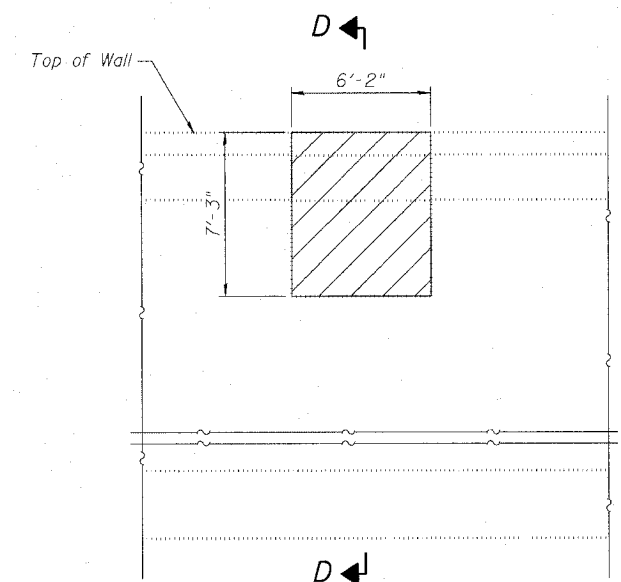
SECTION C-C



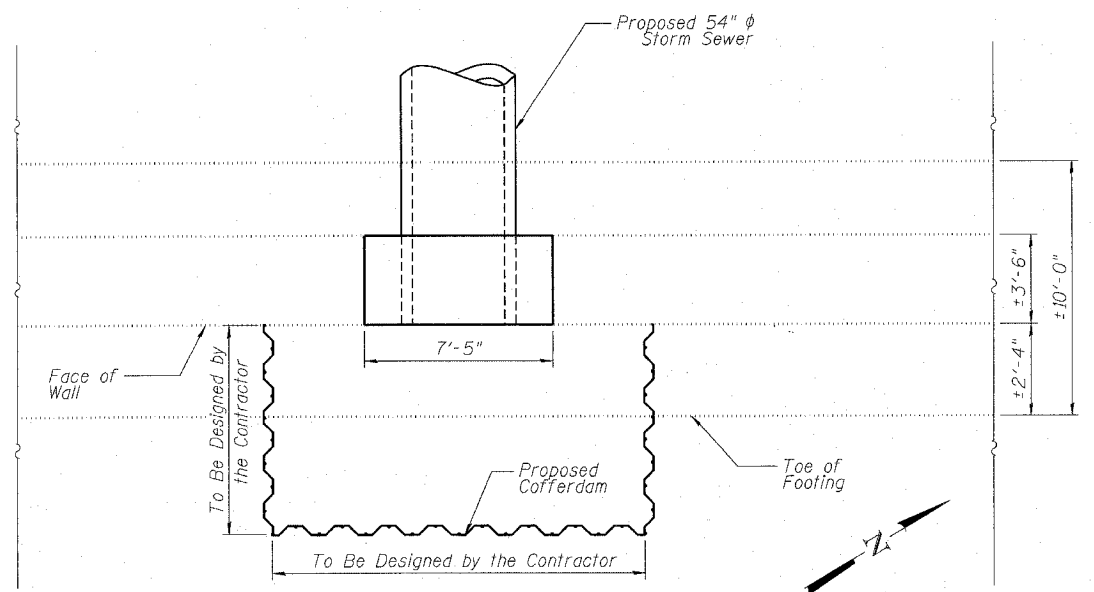
SECTION D-D



ELEVATION C
54" Outfall



ELEVATION D
36" Outfall



COFFERDAM PLAN (LOCATION-1)
(LOCATION-2 SIMILAR)

DESIGNED	JRR
CHECKED	SLC
DRAWN	JRJ
CHECKED	SLC

- GENERAL NOTES**
1. Reinforcement bars shall conform to the requirements of ASTM A706 Gr. 60 (Illinois Modified). See Special Provisions.
 2. Reinforcement bars designated (E) shall be epoxy coated.
 3. Plan dimensions and details relative to existing plans are subject to routine variations. The Contractor shall field verify existing dimensions and details affecting new construction and make necessary approved adjustments prior to construction or ordering of materials. Such variations shall not be cause for additional compensation for a change in the scope of the work, however, the Contractor will be paid for the quantity actually furnished based upon the unit price bid for the work.
 4. The Contractor shall saw cut the wall at the removal lines shown to ensure the remaining portion will not be damaged.
 5. No debris shall enter the North Shore Channel during construction.
 6. A cofferdam design and details, and if necessary a seal coat design, shall be submitted for approval to the Engineer.
 7. The cofferdam, and if necessary any seal coat concrete, shall be removed after construction of the outfalls is completed.

Note:
For Sections A-A and B-B, see Sheet 74.

LEGEND:

 Concrete Removal

OUTFALL STRUCTURAL DETAILS I

SHERIDAN ROAD
NORTH SHORE CHANNEL OUTFALLS
F.A.P. ROUTE 3509 SECTION 00-00173-00-FP
COOK COUNTY

TranSystems

8051 PERIMETER DRIVE, SUITE 1025
SCHAMBERG, IL 60173-5058
TEL (847) 605-9600
FAX (847) 605-9610

b:\p\man 7/12/2007 10:02:06 AM - c:\p\06\0095\Structural\Sheets\Outfall.dgn