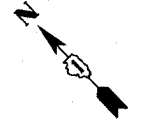
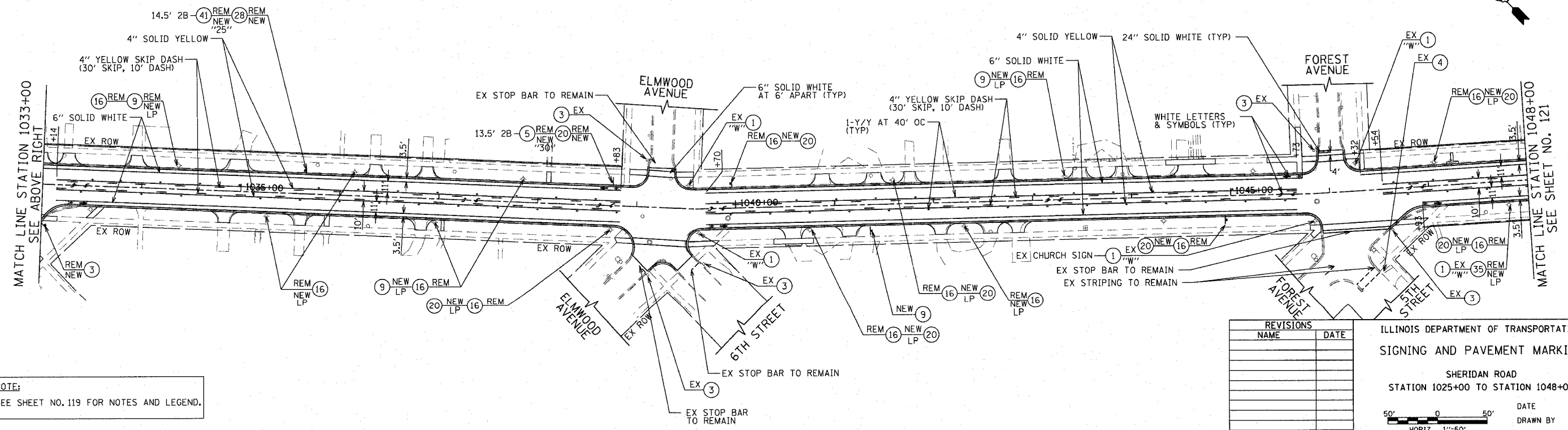
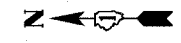
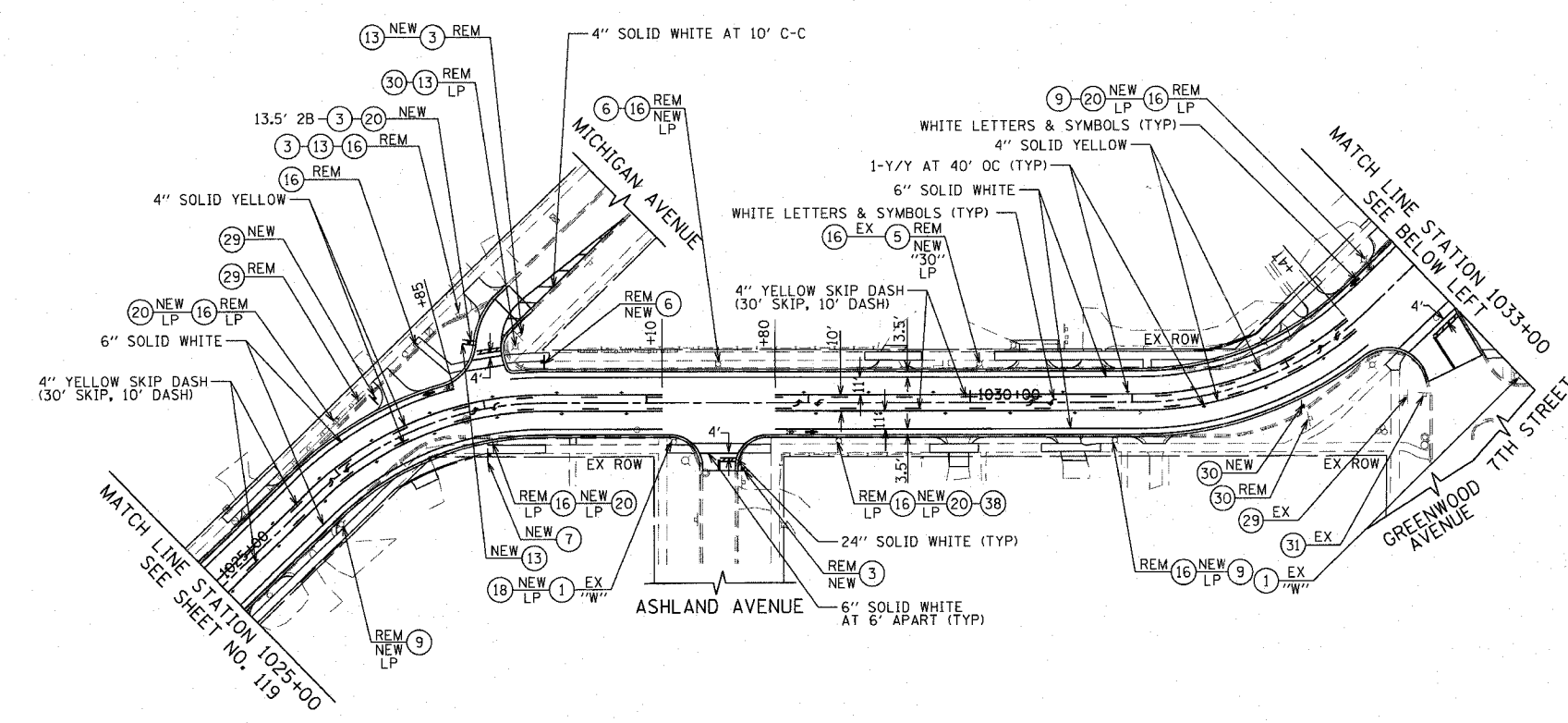


| F.A.J. RTE. | SECTION | COUNTY | TOTAL SHEETS | SHEET NO. |
|-----------------------|----------------|---------------------------|--------------|-----------|
| 3509 | 00-00773-00-FR | COOK | 246 | 120 |
| STA. 1025+00 | | TO STA. 1048+00 | | |
| FED. ROAD DIST. NO. 7 | | ILLINOIS FED. AID PROJECT | | |

PLOT DATE = 7/12/2007
 FILE NAME = g:\c085\80905\road\sheds\sign2.dwg
 PLOT SCALE = 50.0000 / IN.
 USER NAME = b.johnson

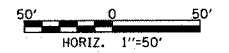


NOTE:
SEE SHEET NO. 119 FOR NOTES AND LEGEND.

| REVISIONS | |
|-----------|------|
| NAME | DATE |
| | |
| | |
| | |
| | |
| | |

ILLINOIS DEPARTMENT OF TRANSPORTATION
SIGNING AND PAVEMENT MARKING
SHERIDAN ROAD
STATION 1025+00 TO STATION 1048+00

DATE 7/13/07
DRAWN BY LTD
CHECKED BY BJL



1051 PERIMETER DRIVE, SUITE 1025
 SCHENKSBURG, ILLINOIS 60173
 (617) 955-9600

