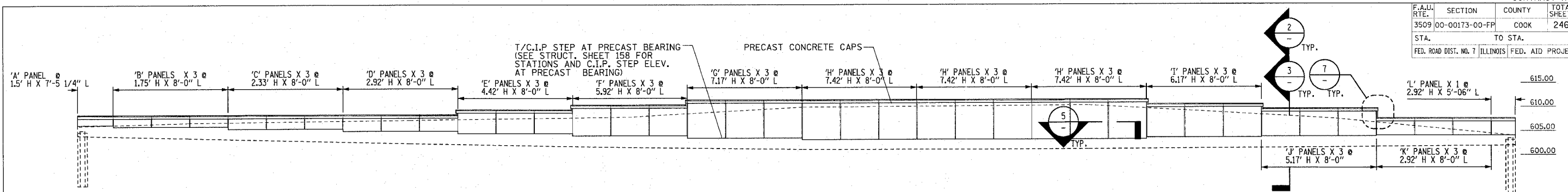
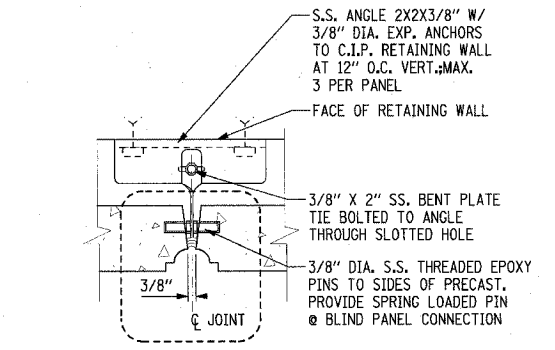
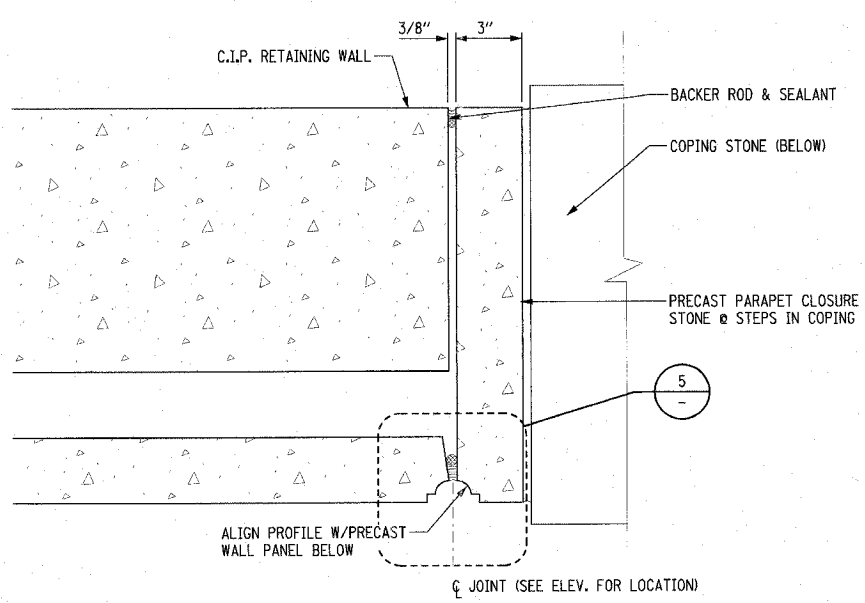
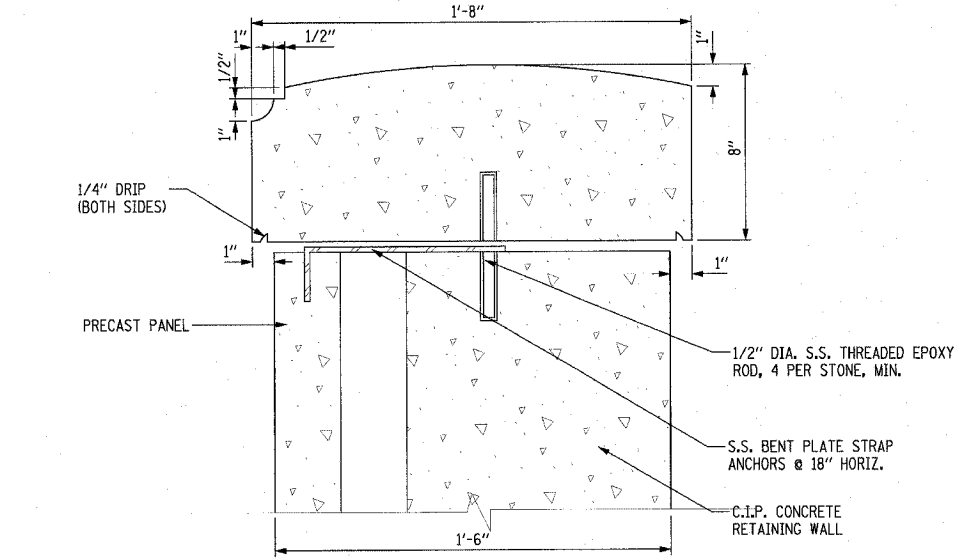


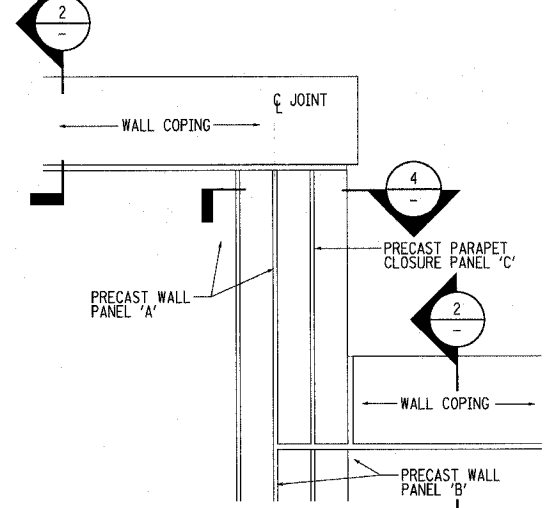
| | | | |
|-----------------------|----------------|------------------|------------------------|
| F.A.U.L. RTE. | SECTION | COUNTY | TOTAL SHEET SHEETS NO. |
| 3509 | 00-00173-00-FP | COOK | 246 134 |
| STA. | TO STA. | | |
| FED. ROAD DIST. NO. 7 | ILLINOIS | FED. AID PROJECT | |



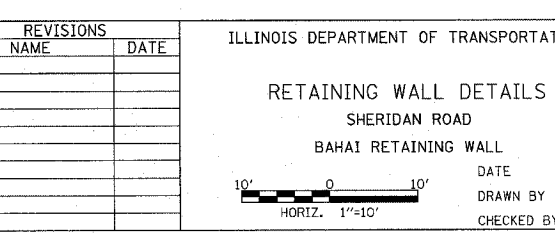
1 RETAINING WALL AT BAHAI
SCALE: 1"=10'



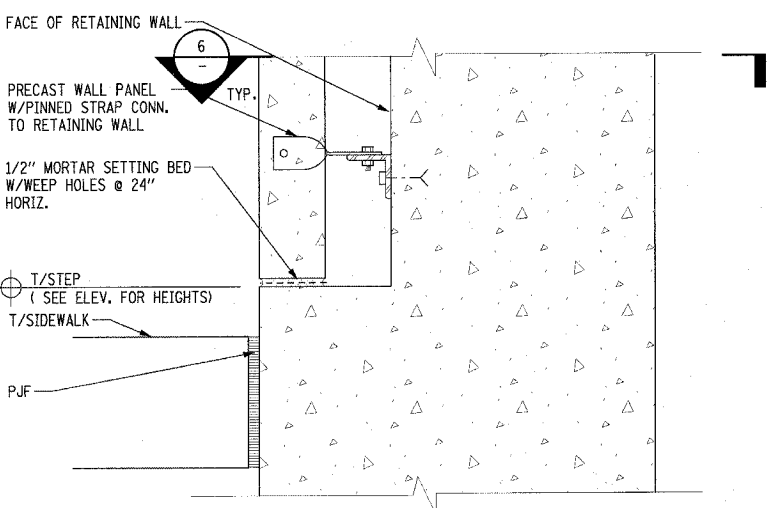
6 PLAN DETAIL AT BASE
SCALE: 3"=1' - 0"



7 PRECAST WALL ELEV.-STEP
SCALE: 1 1/2"=1' - 0"

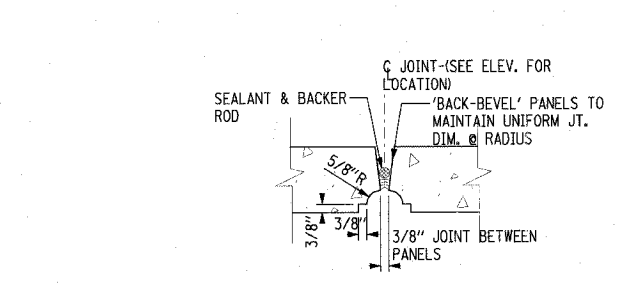


2 PRECAST CONCRETE CAP DETAIL
SCALE: 3"=1' - 0"



3 CONNECTION DETAIL AT BASE
SCALE: 3"=1' - 0"

4 PLAN DETAIL AT PARAPET
SCALE: 3"=1' - 0"



5 PANEL JOINT - PLAN
SCALE: 3"=1' - 0"



| REVISIONS | |
|-----------|------|
| NAME | DATE |
| | |
| | |
| | |
| | |
| | |
| | |
| | |
| | |
| | |

ILLINOIS DEPARTMENT OF TRANSPORTATION
RETAINING WALL DETAILS
SHERIDAN ROAD
BAHAI RETAINING WALL
DATE 7/13/07
DRAWN BY AT/MS
CHECKED BY JE