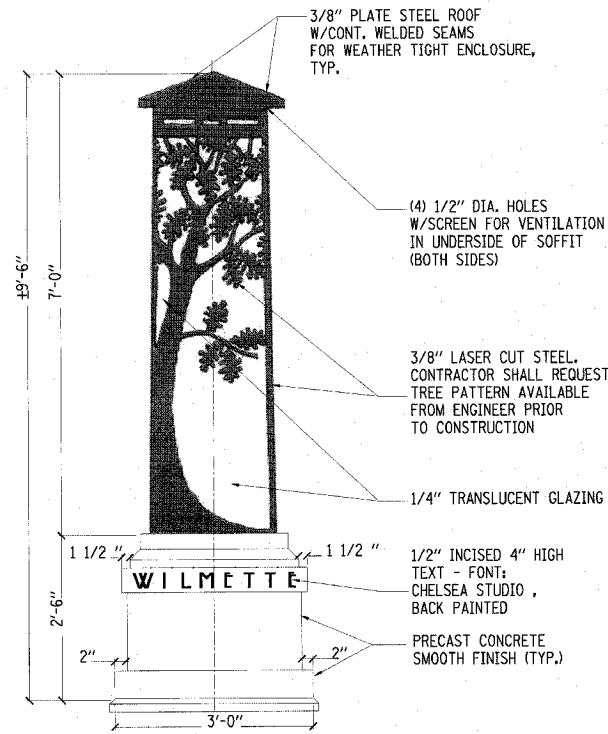
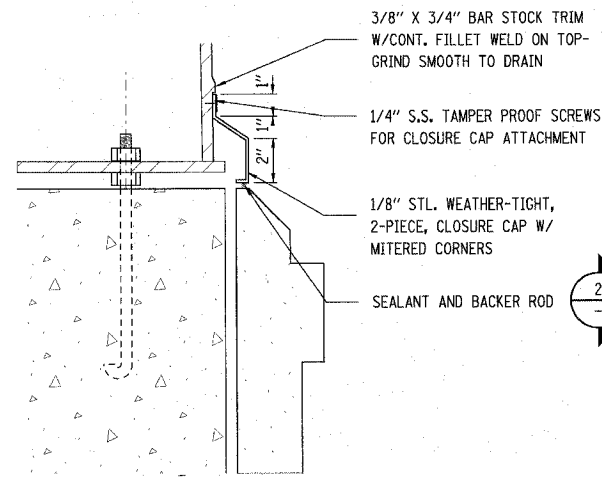


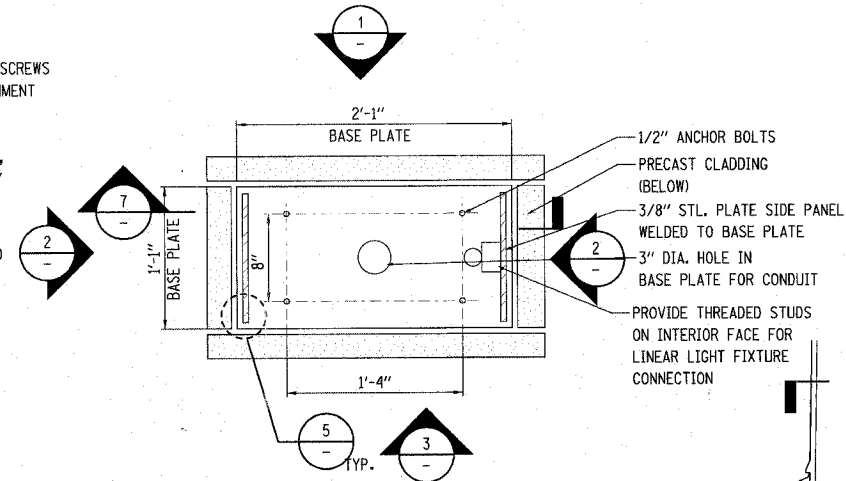
F.A.U. RTE.	SECTION	COUNTY	TOTAL SHEETS	SHEET NO.
3509	00-00173-00-FP	COOK	246	135
STA.		TO STA.		
FED. ROAD DIST. NO. 7		ILLINOIS	FED. AID PROJECT	



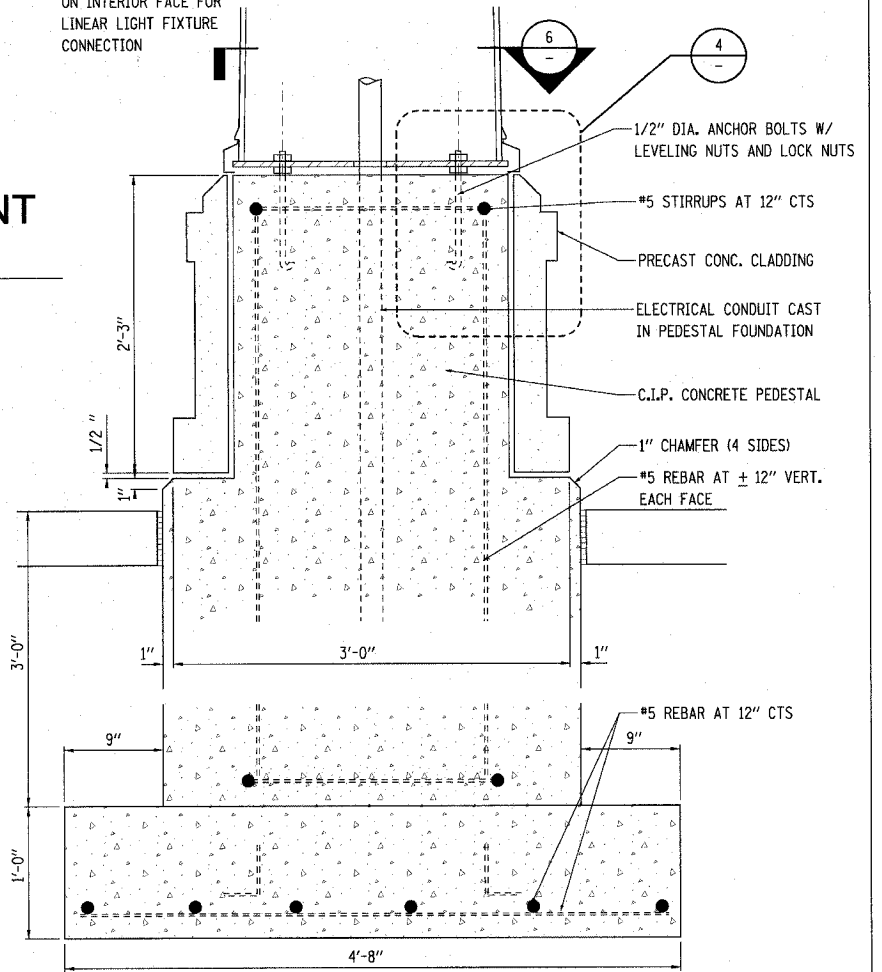
1 GATEWAY MONUMENT ELEVATION-FRONT
SCALE: 3/4"=1'-0"



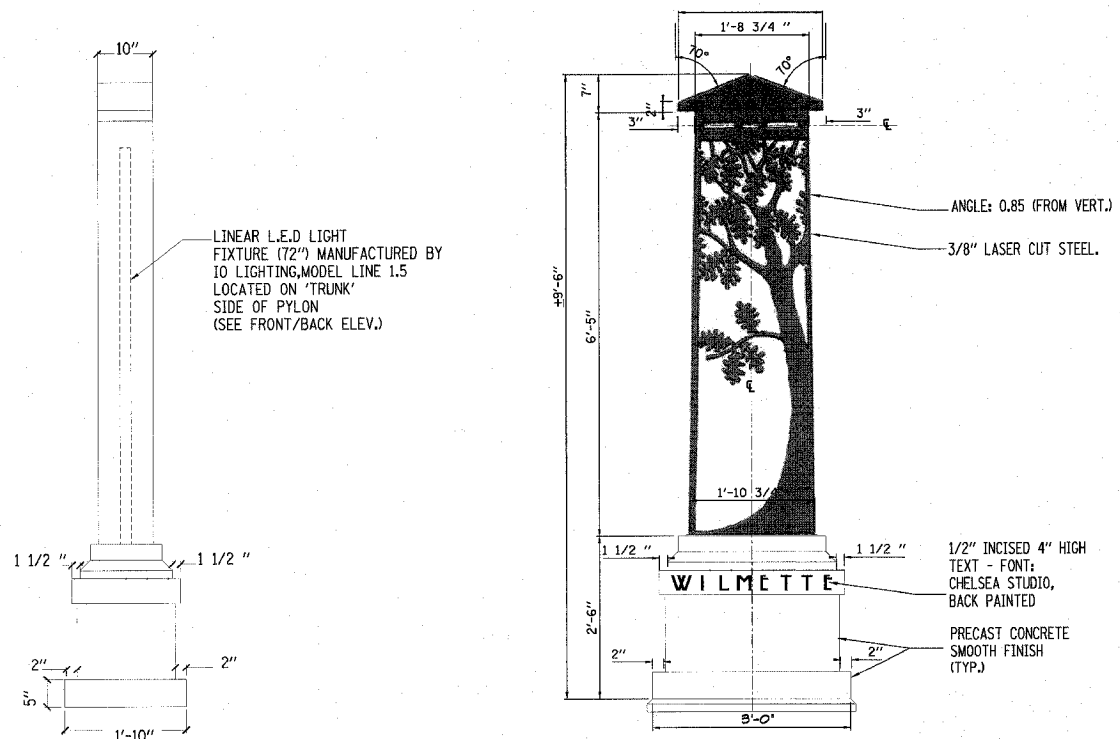
4 DETAIL
SCALE: 3"=1' - 0"



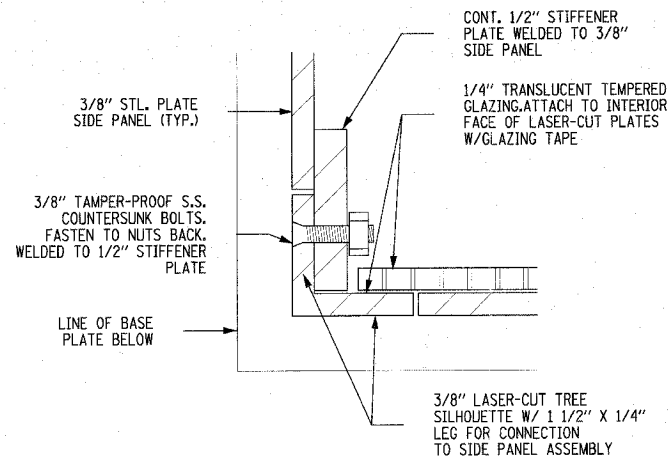
6 GATEWAY MONUMENT -PLAN SECTION
SCALE: 1 1/2"=1' - 0"



7 GATEWAY MONUMENT SECTION
SCALE: 1 1/2"=1' - 0"



3 GATEWAY MONUMENT ELEVATION-BACK
SCALE: 3/4"=1'-0"



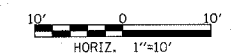
5 DETAIL
SCALE: FULL

2 GATEWAY MONUMENT ELEVATION-SIDE, TYP.
SCALE: 3/4"=1'-0"

FINAL LOCATION AND ORIENTATION OF GATEWAY MONUMENTS TO BE STAKED AND APPROVED IN THE FIELD PRIOR TO INSTALLATION.

REVISIONS	
NAME	DATE

ILLINOIS DEPARTMENT OF TRANSPORTATION
GATEWAY MONUMENT DETAILS
SHERIDAN ROAD



DATE 7/13/07
DRAWN BY AT/MS
CHECKED BY JE