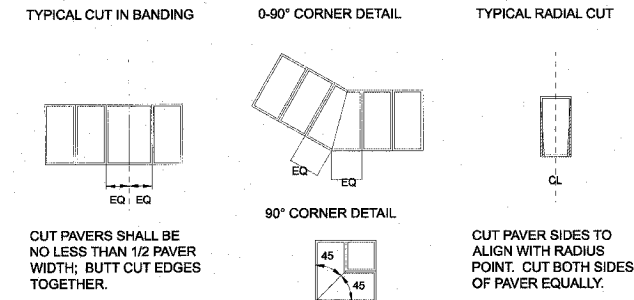
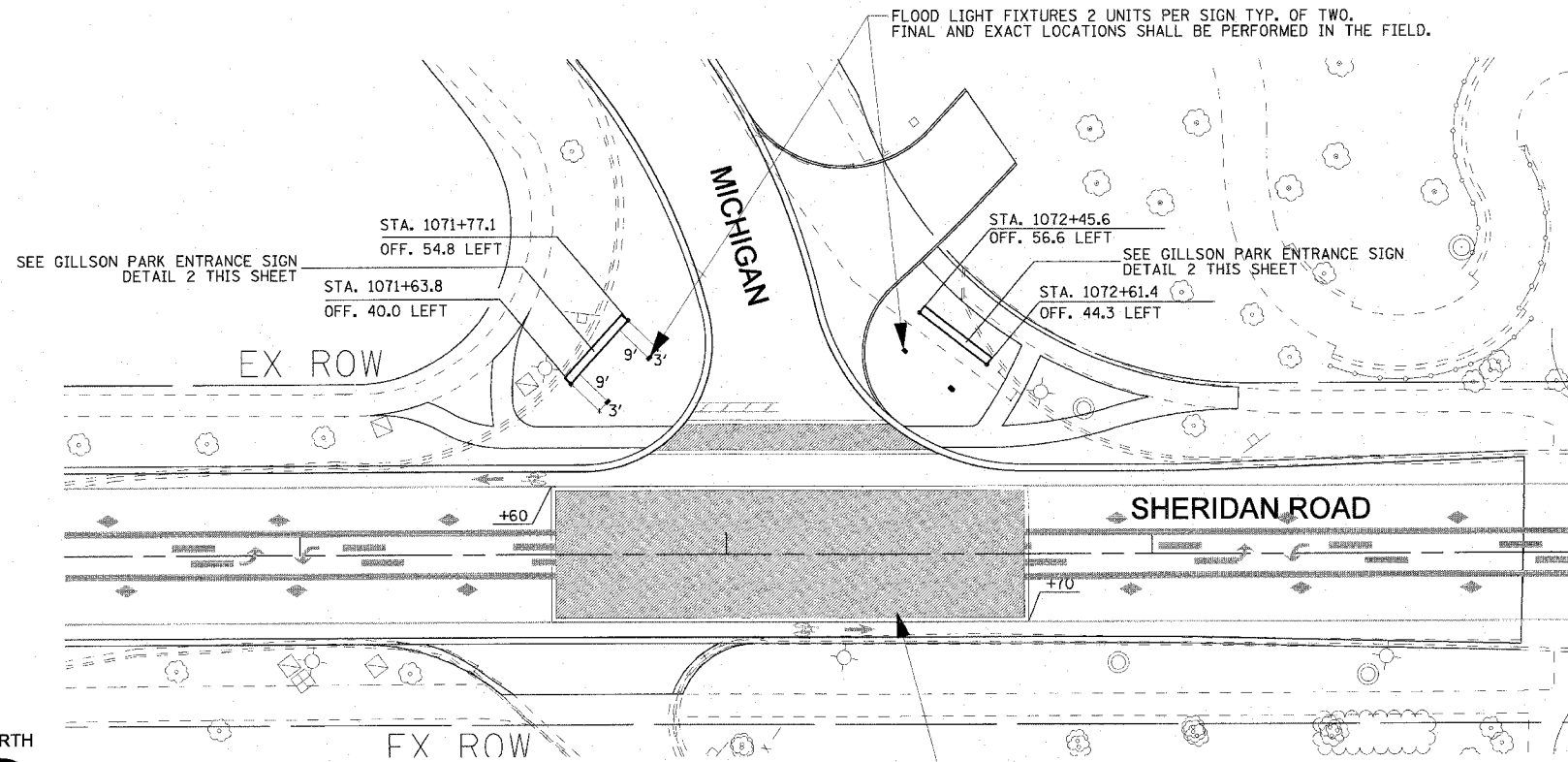
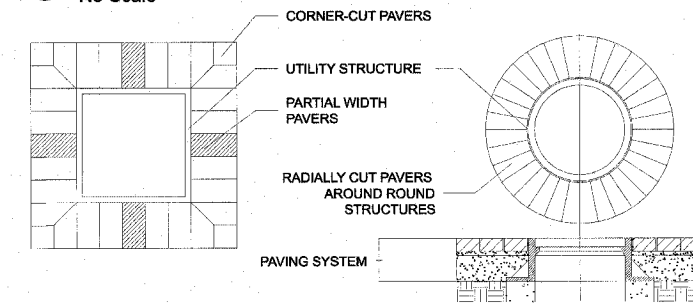


F.A.J. RTE.	SECTION	COUNTY	TOTAL SHEETS	SHEET NO.
3509	00-00173-00-FP	COOK	246	137
STA.		TO STA.		
FED. ROAD DIST. NO. 7 ILLINOIS		FED. AID PROJECT		



3 TYPICAL PAVER CUTS

No Scale



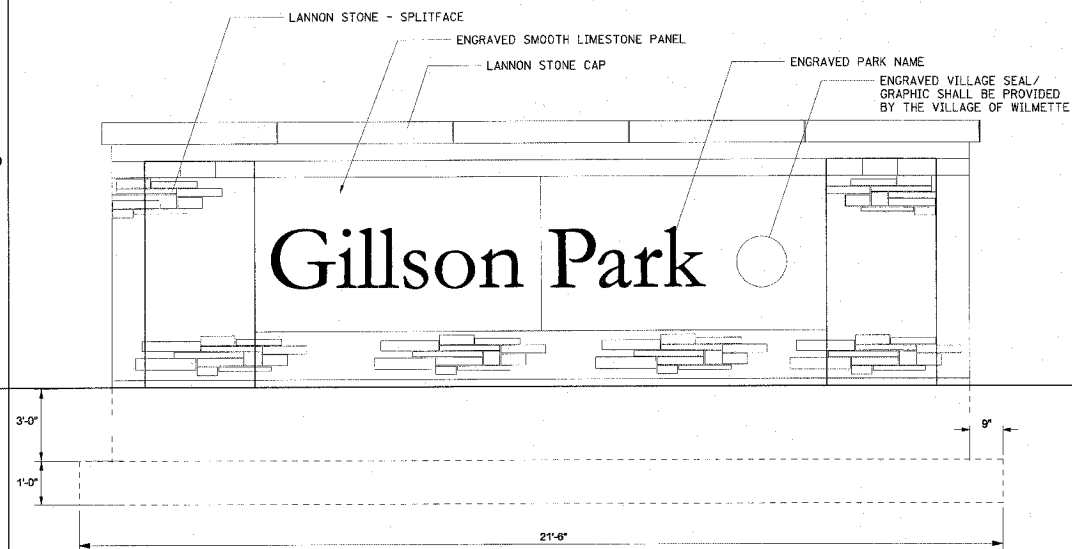
4 PAVER BORDER AROUND STRUCTURES

No Scale

UNIT PAVERS IN ROADWAY SEE DETAIL A ON SHEET 136, AND DETAIL B THIS SHEET 136. WIDTH OF UNIT PAVES FIELD SHALL EXPAND TO EDGE OF BICYCLE LANE. CONTRACTOR SHALL GET LAYOUT APPROVAL FROM RE PRIOR TO CONSTRUCTION

1 GILLSON PARK ENTRANCE

SCALE: 1"=20'



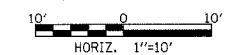
DETAILS ILLUSTRATED ARE FOR GENERAL REFERENCE ONLY. CONTRACTOR SHALL MATCH THE EXISTING SIGN IN FIELD. FOR ESTIMATING PURPOSES, THE APPROXIMATE OVERALL SIGN DIMENSIONS SHALL BE 20'-0" (L) X 6'-0" (H) X 2'-4" DEPTH. SHOP DRAWINGS SHALL BE SUBMITTED AND APPROVED BY THE ENGINEER PRIOR TO CONSTRUCTION.

2 GILLSON PARK ENTRANCE SIGN

SCALE: 1"=10'

REVISIONS	
NAME	DATE

ILLINOIS DEPARTMENT OF TRANSPORTATION
CROSSWALK PLANS AND DETAILS
SHERIDAN ROAD



DATE 7/13/07
DRAWN BY AT/MS
CHECKED BY JE