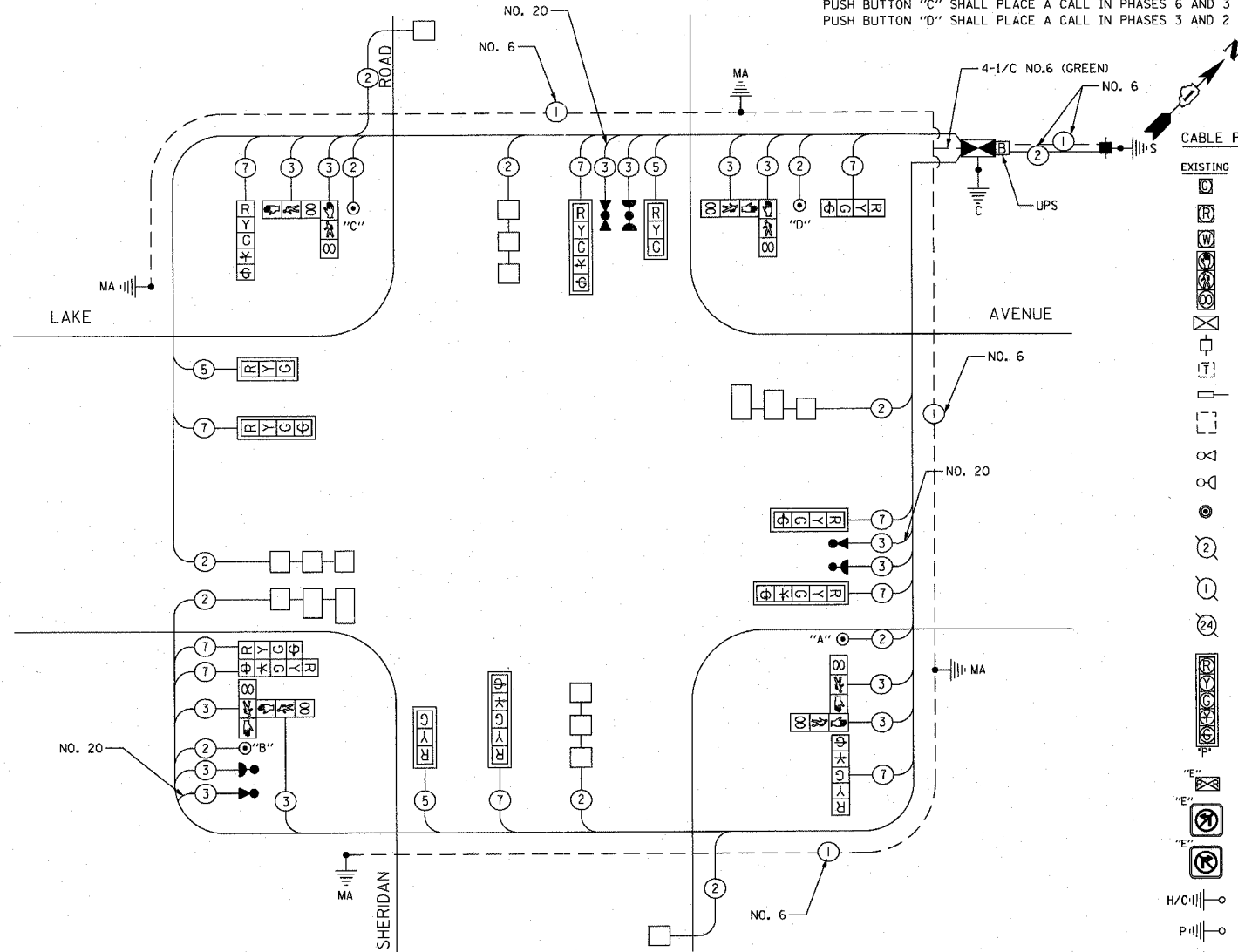


F.A.U. RTE.	SECTION	COUNTY	TOTAL SHEETS	SHEET NO.
3509	00-00173-00-FP	COOK	246	150
STA.		TO STA.		
FED. ROAD DIST. NO. 7		ILLINOIS FED. AID PROJECT		

NOTES:  
 PUSH BUTTON "A" SHALL PLACE A CALL IN PHASES 2 AND 4  
 PUSH BUTTON "B" SHALL PLACE A CALL IN PHASES 4 AND 6  
 PUSH BUTTON "C" SHALL PLACE A CALL IN PHASES 6 AND 3  
 PUSH BUTTON "D" SHALL PLACE A CALL IN PHASES 3 AND 2

SCHEDULE OF QUANTITIES

QUANTITY	UNIT	ITEM
26	FOOT	CONDUIT IN TRENCH, 2" DIA., GALVANIZED STEEL
30	FOOT	CONDUIT IN TRENCH, 2 1/2" DIA., GALVANIZED STEEL
21	FOOT	CONDUIT IN TRENCH, 3" DIA., GALVANIZED STEEL
52	FOOT	CONDUIT IN TRENCH, 4" DIA., GALVANIZED STEEL
741	FOOT	CONDUIT PUSHED, 2" DIA., GALVANIZED STEEL
226	FOOT	CONDUIT PUSHED, 4" DIA., GALVANIZED STEEL
6	EACH	HANDHOLE
2	EACH	HEAVY-DUTY HANDHOLE
1	EACH	DOUBLE HANDHOLE
104	FOOT	TRENCH AND BACKFILL FOR ELECTRICAL WORK
1	EACH	FULL-ACTUATED CONTROLLER AND TYPE IV CABINET
601	FOOT	ELECTRIC CABLE IN CONDUIT, SIGNAL NO. 14 2C
1,739	FOOT	ELECTRIC CABLE IN CONDUIT, SIGNAL NO. 14 3C
573	FOOT	ELECTRIC CABLE IN CONDUIT, SIGNAL NO. 14 5C
1,858	FOOT	ELECTRIC CABLE IN CONDUIT, SIGNAL NO. 14 7C
1,385	FOOT	ELECTRIC CABLE IN CONDUIT, LEAD-IN, NO. 14 1 PAIR
213	FOOT	ELECTRIC CABLE IN CONDUIT, SERVICE, NO. 6 2 C
1	EACH	STEEL MAST ARM ASSEMBLY AND POLE, 26 FT. (SPECIAL)
1	EACH	STEEL MAST ARM ASSEMBLY AND POLE, 32 FT. (SPECIAL)
1	EACH	STEEL MAST ARM ASSEMBLY AND POLE, 36 FT. (SPECIAL)
1	EACH	STEEL MAST ARM ASSEMBLY AND POLE, 38 FT. (SPECIAL)
8	FOOT	CONCRETE FOUNDATION, TYPE A
4	FOOT	CONCRETE FOUNDATION, TYPE C
15	FOOT	CONCRETE FOUNDATION, TYPE E 30-INCH DIAMETER
45	FOOT	CONCRETE FOUNDATION, TYPE E 36-INCH DIAMETER
1	EACH	SIGNAL HEAD, LED, 1-FACE, 3-SECTION, BRACKET MOUNTED
3	EACH	SIGNAL HEAD, LED, 1-FACE, 3-SECTION, MAST-ARM MOUNTED
2	EACH	SIGNAL HEAD, LED, 1-FACE, 4-SECTION, BRACKET MOUNTED
1	EACH	SIGNAL HEAD, LED, 1-FACE, 4-SECTION, MAST-ARM MOUNTED
3	EACH	SIGNAL HEAD, LED, 1-FACE, 5-SECTION, BRACKET MOUNTED
2	EACH	SIGNAL HEAD, LED, 1-FACE, 5-SECTION, MAST-ARM MOUNTED
1	EACH	SIGNAL HEAD, LED, 2-FACE, 1-4 SECTION, 1-5 SECTION, BRACKET MOUNTED
4	EACH	PEDESTRIAN SIGNAL HEAD, LED, 2-FACE, BRACKET MOUNTED WITH COUNTDOWN TIMER
8	EACH	TRAFFIC SIGNAL BACKPLATE, LOUVERED, ALUMINUM
7	EACH	INDUCTIVE LOOP DETECTOR
556	FOOT	DETECTOR LOOP, TYPE I
3	EACH	LIGHT DETECTOR
1	EACH	LIGHT DETECTOR AMPLIFIER
4	EACH	PEDESTRIAN PUSH-BUTTON
1	EACH	TEMPORARY TRAFFIC SIGNAL INSTALLATION
1	EACH	REMOVE EXISTING TRAFFIC SIGNAL EQUIPMENT
3	EACH	REMOVE EXISTING HANDHOLE
1	EACH	SERVICE INSTALLATION - POLE MOUNTED
590	FOOT	ELECTRIC CABLE IN CONDUIT, GROUNDING, NO. 6 1C
526	FOOT	ELECTRIC CABLE IN CONDUIT NO. 20 3/C, TWISTED, SHIELDED
1	EACH	TRAFFIC SIGNAL POST, 15 FOOT, (SPECIAL)
1	EACH	TRAFFIC SIGNAL POST, 16 FOOT, (SPECIAL)
7	EACH	REMOVE EXISTING CONCRETE FOUNDATION
1	EACH	UNINTERRUPTIBLE POWER SUPPLY

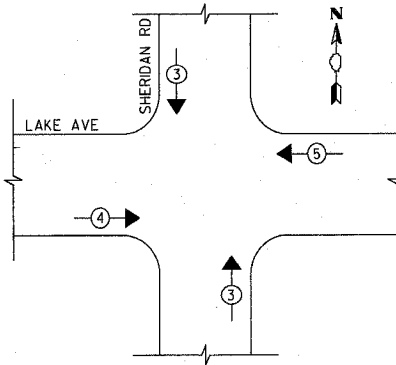


CABLE PLAN LEGEND

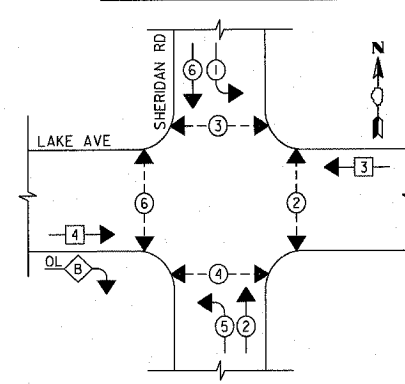
EXISTING	PROPOSED	DESCRIPTION
⊖	⊖	8" (200mm) TRAFFIC SIGNAL SECTION
⊖	⊖	12" (300mm) TRAFFIC SIGNAL SECTION
⊖	⊖	12" (300mm) PEDESTRIAN SIGNAL SECTION
⊖	⊖	12" (300mm) PEDESTRIAN SIGNAL SECTION WITH COUNTDOWN TIMER
⊖	⊖	CONTROLLER CABINET
⊖	⊖	SERVICE INSTALLATION
⊖	⊖	TELEPHONE CONNECTION
⊖	⊖	MAGNETIC DETECTOR
⊖	⊖	VEHICLE DETECTOR, INDUCTION LOOP
⊖	⊖	EMERGENCY VEHICLE LIGHT DETECTOR
⊖	⊖	CONFIRMATION BEACON
⊖	⊖	PUSHBUTTON DETECTOR
⊖	⊖	DENOTES NUMBER OF CONDUCTORS
⊖	⊖	ALL CABLE NO. 14 EXCEPT AS INDICATED
⊖	⊖	ALL LOOP DETECTOR CABLE TO BE SHIELDED
⊖	⊖	GROUND CABLE IN CONDUIT NO. 6 SOLID COPPER (GREEN)
⊖	⊖	FIBER OPTIC CABLE IN CONDUIT NO. 62.5/125 MM12F SM12F
⊖	⊖	SIGNAL FACE WITH BACKPLATE
⊖	⊖	"P" INDICATES PROGRAMMED HEAD
⊖	⊖	RAILROAD CONTROL CABINET
⊖	⊖	ILLUMINATED SIGN, FIBER OPTIC "NO LEFT TURN"
⊖	⊖	ILLUMINATED SIGN, FIBER OPTIC "NO RIGHT TURN"
H/C	H/C	GROUND ROD AT HANDHOLE, DOUBLE HANDHOLE, OR CONTROLLER
P	P	GROUND ROD AT POST OR MAST ARM POLE
S	S	GROUND ROD AT ELECTRIC SERVICE INSTALLATION
⊖	⊖	UNINTERRUPTIBLE POWER SUPPLY

CABLE PLAN

PROPOSED EMERGENCY VEHICLE PREEMPTION SEQUENCE



PROPOSED CONTROLLER SEQUENCE



LEGEND

⊖	DUAL ENTRY PHASE
⊖	SINGLE ENTRY PHASE
⊖	PEDESTRIAN PHASE
⊖	OVERLAP
*	NUMBER REFERS TO ASSOCIATED PHASE

PROPOSED EMERGENCY VEHICLE PREEMPTORS

EMERGENCY VEHICLE PREEMPTOR	3	4	5
MOVEMENT	↑	→	←

PHASE DESIGNATION DIAGRAM

REVISIONS

NAME	DATE

ILLINOIS DEPARTMENT OF TRANSPORTATION  
 SCHEDULE OF QUANTITIES, CABLE PLAN,  
 AND PHASE DESIGNATION DIAGRAM  
 SHERIDAN ROAD AND LAKE AVENUE  
 SCALE NOT TO SCALE  
 DATE 7/12/2007  
 DRAWN BY SRS  
 DESIGNED BY  
 CHECKED BY KMM

PLOT DATE = 7/12/2007  
 FILE NAME = G:\CD\06-0005\Road\Sheets\ts\op\Lake.dgn  
 PLOT SCALE = 1/8" = 1'-0"  
 USER NAME = bjozner

1051 PERIMETER DRIVE, SUITE 1025  
 SHAWHURD, ILLINOIS 60175  
 (617) 650-8000



I.D.O.T. TRAFFIC SIGNAL INSTALLATION ELECTRICAL SERVICE REQUIREMENTS

TYPE	NO. LAMPS	INCAND.	LED	WATTAGE	OPERATION	TOTAL WATTAGE
SIGNAL (RED)	13	135	17	0.50	111	
(YELLOW)	13	135	25	0.25	81	
(GREEN)	17	135	15	0.25	64	
ARROW	8	135	12	0.10	10	
PED SIGNAL	8	90	25	1.00	200	
CONTROLLER	1	100	100	1.00	100	
ILLUM. SIGN						
FLASHER				0.50	--	
ENERGY COSTS TO:						566

VILLAGE OF WILMETTE  
 1200 WILMETTE AVENUE  
 WILMETTE, IL 60091  
 ENERGY SUPPLY CONTACT: MR. LARRY SHANK  
 PHONE: (847) 816-5465  
 COMPANY: COMED

FOUNDATION (DEPTH)	FT. (m)	CABLE SLACK	FT. (m)	VERTICAL	FT. (m)
TYPE A - POST	4 (1.2)	HANDHOLE	6.5 (2.0)	ALL FOUNDATIONS	3.5 (1.0)
D - CONTROLLER	4 (1.2)	DOUBLE HANDHOLE	13 (4.0)	MAST ARM (L) POLE	20'-H-2"
E - M. ARM POLE		SIGNAL POST	2 (0.6)	BRACKET MOUNTED	13 (4.0)
		CONTROLLER CAB.	1 (0.3)	PEDEST. PUSHBUTTON	4 (1.2)
		30" (750mm) FIBER OPTIC	13 (4.0)	ELECTRIC SERVICE	13.5 (4.1)
		36" (900mm) FIBER OPTIC	1 (0.3)	SERVICE TO GROUND	13.5 (4.1)
		ELECTRIC SERVICE	1 (0.3)	POST MOUNTED	6 (1.8)
		GROUND CABLE	1 (0.3)		