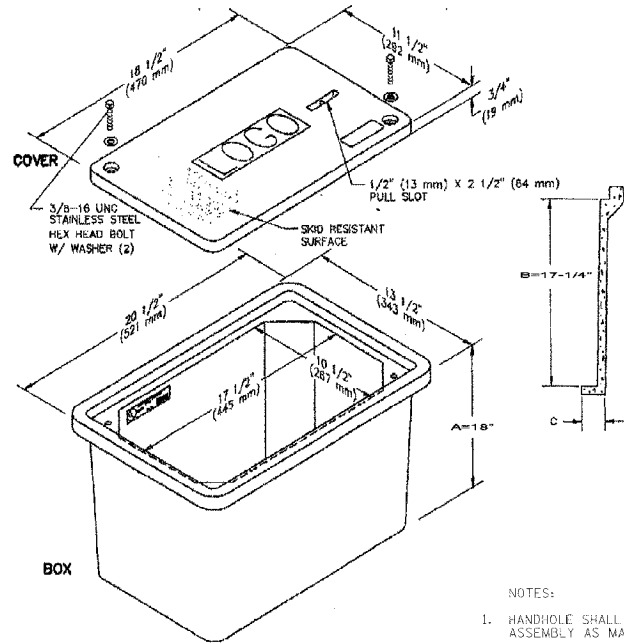


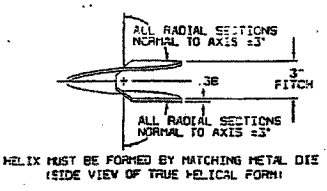
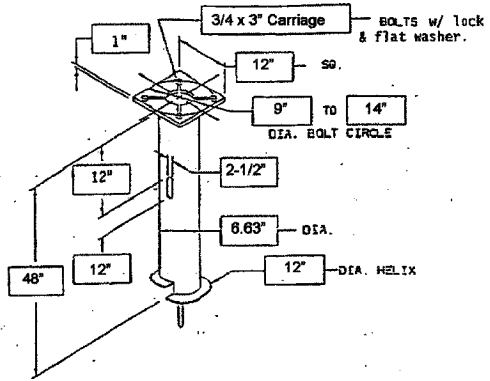
F.A.D. RITE.	SECTION	COUNTY	TOTAL SHEETS	SHEET NO.
3509	00-00173-00-PP	COOK	246	172
STA.		TO STA.		
FED. ROAD DIST. NO. 7		ILLINOIS FED. AID PROJECT		

PLOT DATE = 8/6/87
 FILE NAME = GRADING/ROADS/ROADSHEET/HighLight.dwg
 PLOT SCALE = 50.0000 / 1"
 USER NAME = mjg@calaz



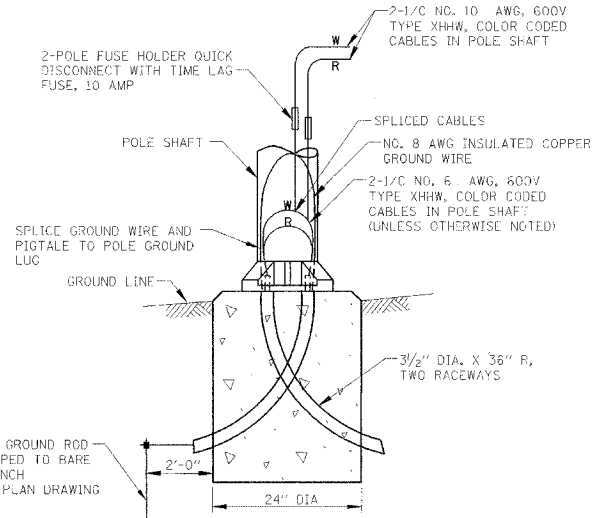
- NOTES:
- HANDHOLE SHALL BE 11"x18"x18" PC STYL'E (STACKABLE) ASSEMBLY AS MANUFACTURED BY OUAZILE, OR APPROVED EQUAL.
 - COVER LOGO SHALL SAY "LIGHTING". TWO STAINLESS STEEL BOLTS SHALL BE PROVIDED TO FASTEN THE COVER TO THE BOX.

COMPOSITE CONCRETE HANDHOLE DETAIL (VILLAGE OF WILMETTE)

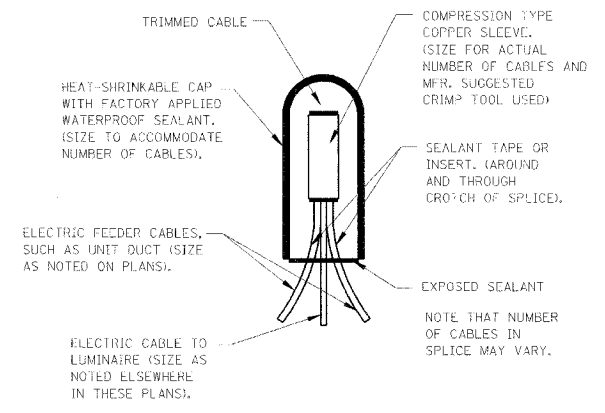
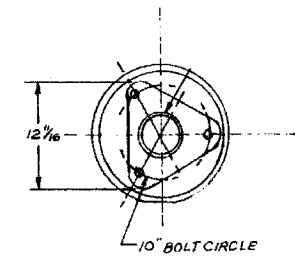


HELIX FOUNDATION DETAIL (VILLAGE OF WILMETTE)

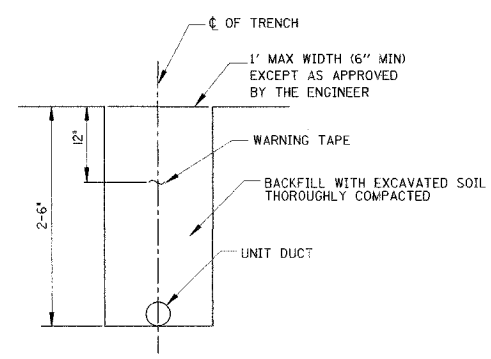
- NOTES:
- FLAMECUT IRREGULARITIES PERMISSIBLE: (1) VALLEYS NOT TO EXCEED 3/32 9/32" BELOW NOMINAL SURFACE LEVEL, (2) PEAKS OR POSITIVE IRREGULARITIES NOT TO EXCEED 1/32 9/32" IN ABOVE NOMINAL SURFACE LEVEL OR INTERSECTIONS OF NOMINAL SURFACES.
 - MANUFACTURER TO HAVE IN EFFECT INDUSTRY RECOGNIZED WRITTEN QUALITY CONTROL FOR ALL MATERIALS AND MANUFACTURING PROCESSES.
 - ALL MATERIAL IS TO BE NEW, UNUSED AND MILL TRACEABLE MEETING THE FOLLOWING SPECIFICATIONS:
 BASEPLATE: ASTM A36 (LATEST REVISION) STRUCTURAL STEEL (CONFORM TO AASHTO TECH BUL. 270)
 SHAFT: ASTM A252 (LATEST REVISION) GRADE 2, STEEL PIPE FILES; ALTERNATE MATERIAL: ASTM A53 (LATEST REVISION); TYPE E OR S, GRADE B, STEEL PIPE OR ASTM A500 (LATEST REVISION) GRADE B, STRUCTURAL STEEL TUBING.
 HELIX: ASTM A635 (LATEST REVISION) 3/8 9/32" THICK HOT ROLLED STEEL PLATE OR COIL.
 PILOT POINT: ASTM A575 (LATEST REVISION) STEEL BAR.
 BOLTS: CARRIAGE BOLT PER ANSI B-18.5, SAE J429 GRADE-5.
 - BASEPLATE IS PERMANENTLY STAMPED WITH MANUFACTURE 5/32 S IDENTIFICATION 7/32 ABC 9/32" IN 59/64 9/32" LETTERS AND DATE CODE IN 1/4 9/32" LETTERS.



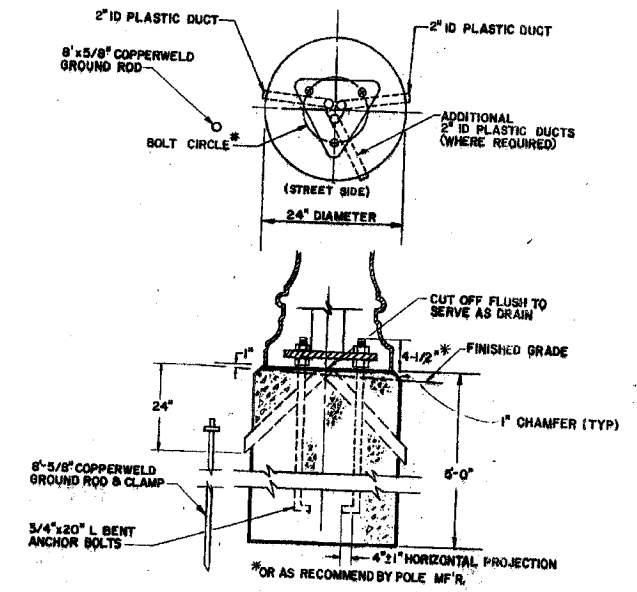
POLE BASE WIRING DETAIL



SPLICING ELECTRIC CABLE BASIC MATERIALS AND METHODS



TRENCH CROSS SECTION



TALLMADGE POLE CONCRETE FOUNDATION DETAIL N.T.S (CITY OF EVANSTON)

REVISIONS	
NAME	DATE

ILLINOIS DEPARTMENT OF TRANSPORTATION

LIGHTING DETAILS

DATE 7/30/07
 DRAWN BY AJP
 CHECKED BY RJG