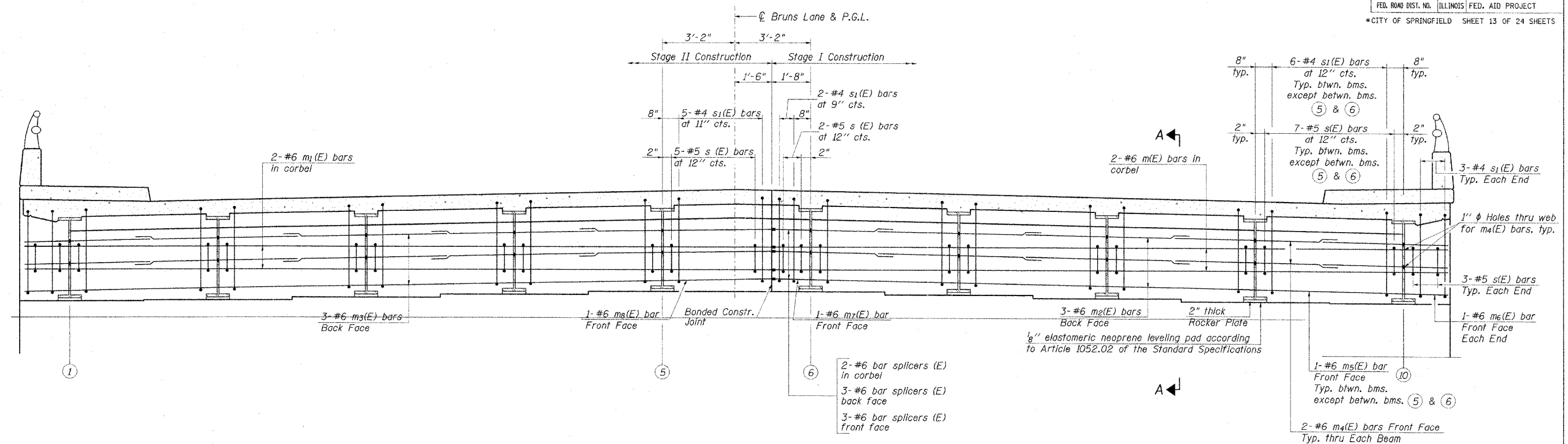
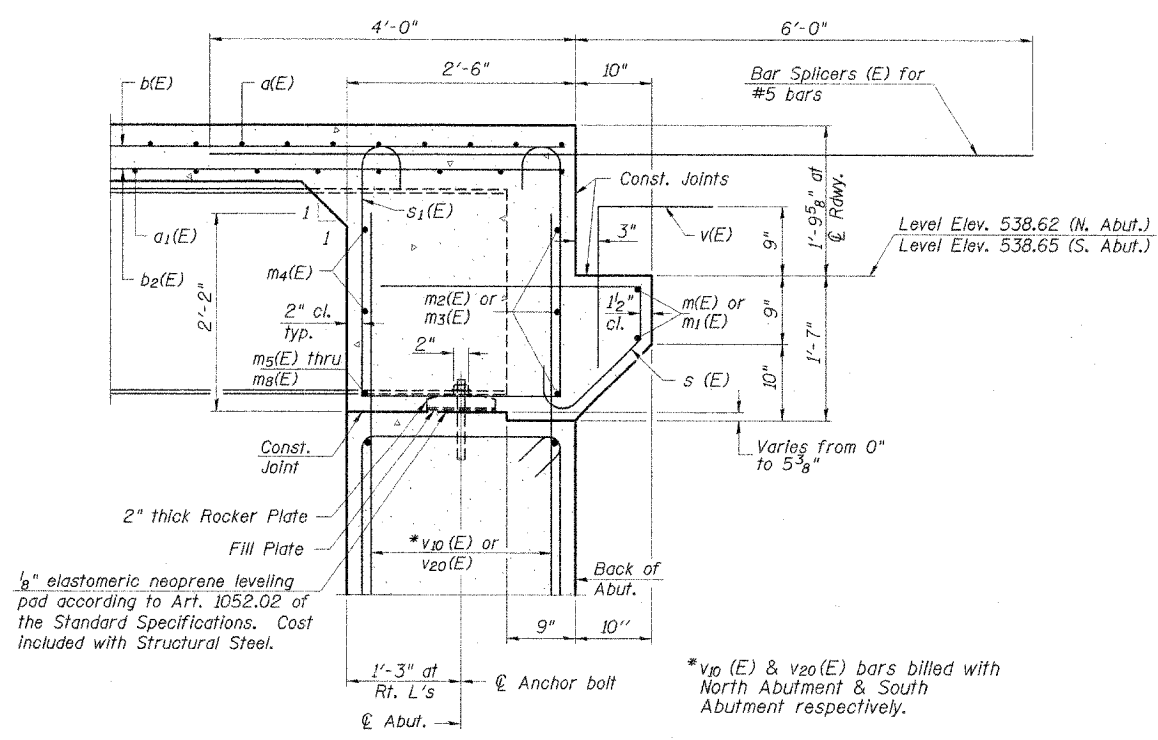


F.A.U. RTE.	SECTION #	COUNTY	TOTAL SHEETS	SHEET NO.
05-00444-00-BR		SANGAMON	33	19
STA.	TO STA.			
FED. ROAD DIST. NO.	ILLINOIS FED. AID PROJECT			
CITY OF SPRINGFIELD SHEET 13 OF 24 SHEETS				



DIAPHRAGM ELEVATION AT ABUTMENT
(Looking South at South Abut., North Abut. similar)



MIN. BAR LAP
#6 bar = 2'-9"

- NOTES:**
1. Reinforcement bars in diaphragm are billed with superstructure on Sheet 11 of 24.
 2. Concrete in diaphragm is included with Concrete Superstructure on Sheet 11 of 24.
 3. For details of bars s(E) & s1(E) see Sheet 11 of 24.
 4. The s(E) and s1(E) bars shall be placed parallel to the beams. Spacing for these bars shall be at right angles to the beams.
 5. For location of holes in web see Sheet 15 of 24.
 6. For bar splicer details see Sheet 20 of 24.

REVISIONS	NAME	DATE

CITY OF SPRINGFIELD, ILLINOIS
ABUTMENT DIAPHRAGM DETAILS
FAU 8006-BRUNS LANE OVER SPRING CREEK
SECTION 05-00444-00-BR
SANGAMON COUNTY
STATION 115+77.50 S.N. 084-6017
SCALE: NONE DRAWN BY: GLD
DATE: 6/13/07 CHECKED BY: WK



L:\Spc\eng\field\0502503\Draw\Sheet\Abut\DIAPHRAGM DETAIL.DGN 6/12/2007