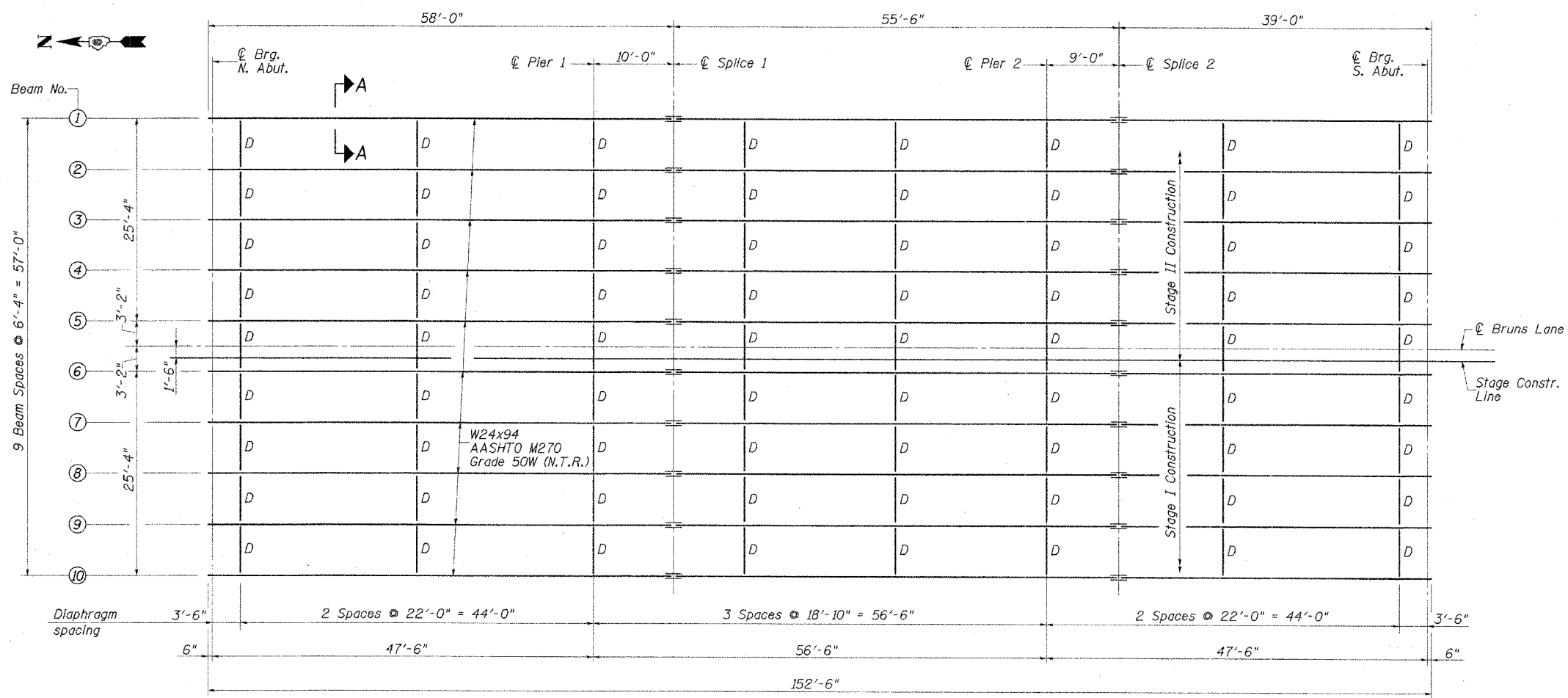
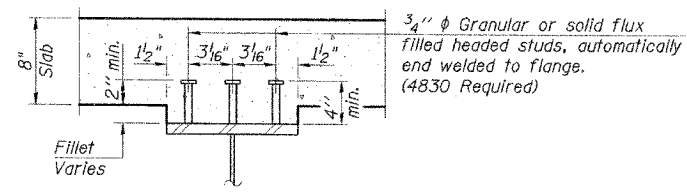


F.A.U. RTE.	SECTION #	COUNTY	TOTAL SHEETS	SHEET NO.
05-00444-00-BR		SANGAMON	33	20
STA.		TO STA.		
FED. ROAD DIST. NO.		ILLINOIS	FED. AID PROJECT	
CITY OF SPRINGFIELD SHEET 14 OF 24 SHEETS				



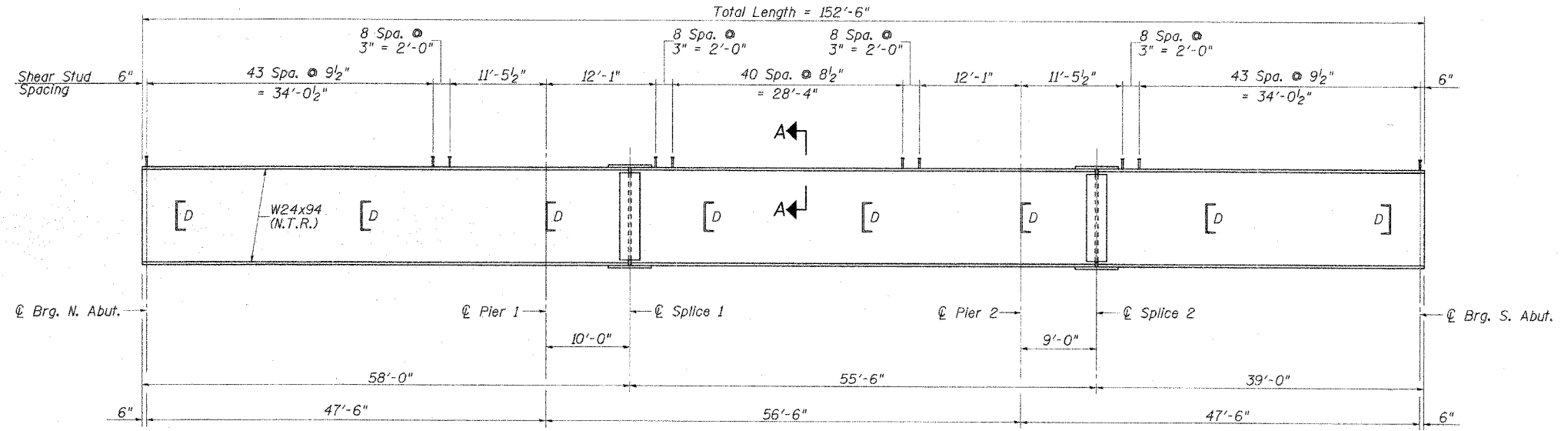
**TOP OF BEAM ELEVATIONS BEFORE DEFLECTIONS**  
(For Fabrication Only)

LOCATION	BEAM 1 BEAM 10	BEAM 2 BEAM 9	BEAM 3 BEAM 8	BEAM 4 BEAM 7	BEAM 5 BEAM 6
℄ Brg. N. Abut.	539.20	539.33	539.47	539.59	539.68
℄ Splice 1	539.65	539.78	539.92	540.03	540.12
℄ Pier 1	539.73	539.86	539.99	540.11	540.21
℄ Pier 2	539.64	539.77	539.90	540.02	540.12
℄ Splice 2	539.62	539.75	539.88	540.00	540.10
℄ Brg. S. Abut.	539.23	539.37	539.50	539.62	539.72



**FRAMING PLAN**

**SECTION A-A**



**BEAM ELEVATION**

**NOTES:**

- All structural steel shall be AASHTO M270 Grade 50W.
- Load carrying components designed "N.T.R." shall conform to the supplemental requirements for notch toughness (Zone 2).
- All diaphragms shall be installed as steel is erected and secured with erection pins and bolts except as otherwise noted. Individual diaphragms at supports may be temporarily disconnected to install bearing anchor rods.

REVISIONS	
NAME	DATE

CITY OF SPRINGFIELD, ILLINOIS  
**FRAMING PLAN & ELEVATION**  
 FAU 8006-BRUNS LANE OVER SPRING CREEK  
 SECTION 05-00444-00-BR  
 SANGAMON COUNTY  
 STATION 115+77.50 S.N. 084-6017  
 SCALE: NONE DRAWN BY: GLD  
 DATE: 6/19/07 CHECKED BY: WK

**CMT**  
 CRAWFORD MURPHY & TILLY, INC.  
 CONSULTING ENGINEERS  
 SPRINGFIELD, IL ■ AURORA, IL ■ ST. LOUIS, MO  
 ROCKFORD, IL ■ PEORIA, IL ■ CHICAGO, IL

L:\Springfield\0502503\Draw\Sheets\FRAMING.dgn 6/22/2007