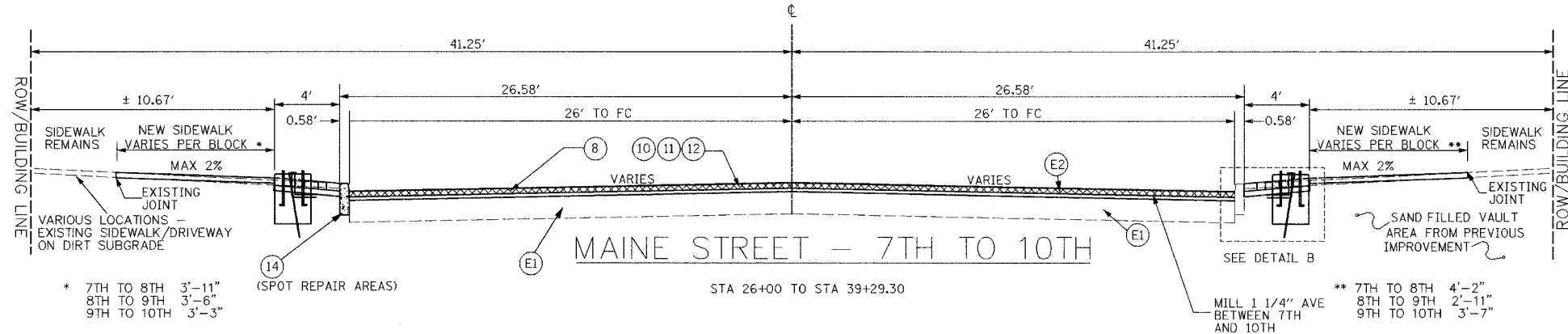
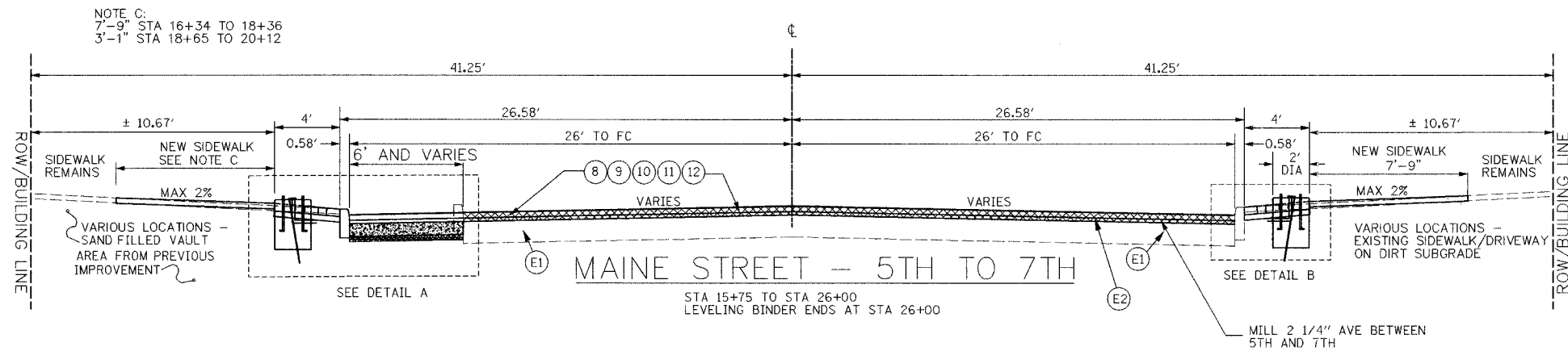
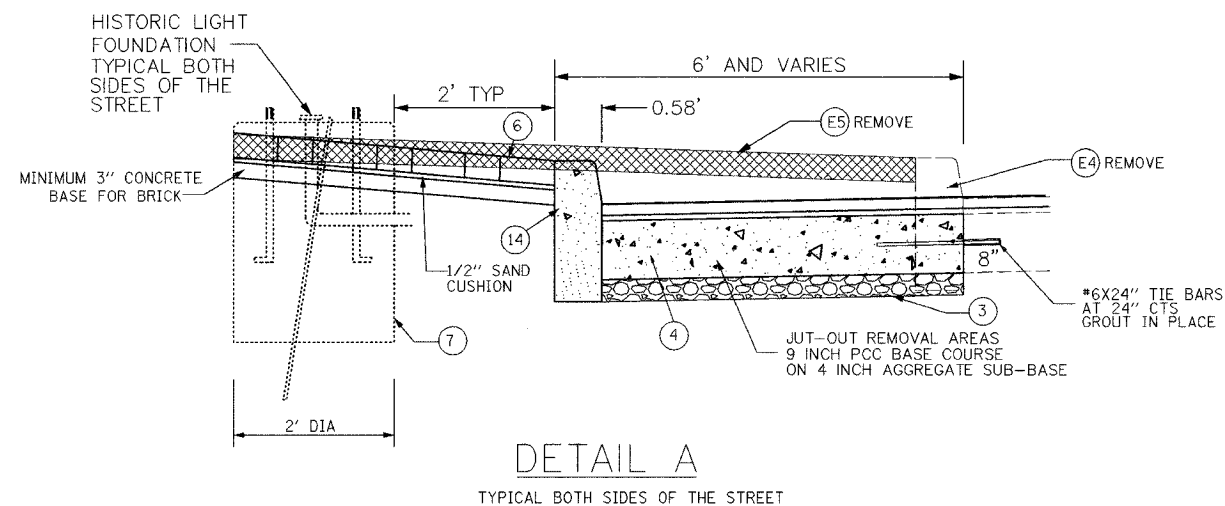


MUNICIPALITY	SECTION	COUNTY	TOTAL SHEETS	SHEET NO.
QUINCY	06-00300-00-LS	ADAMS	69	27
FED. ROAD DIST. NO.		ILLINOIS	FED. AID PROJECT	

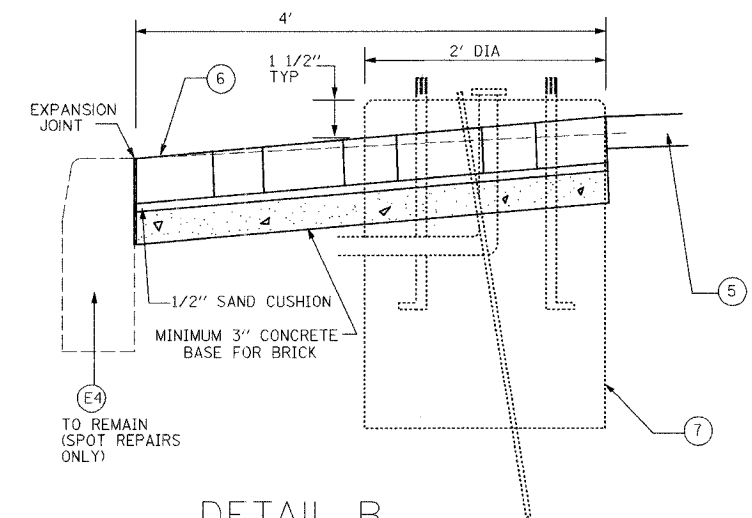


* 7TH TO 8TH 3'-11"
8TH TO 9TH 3'-6"
9TH TO 10TH 3'-3"

** 7TH TO 8TH 4'-2"
8TH TO 9TH 2'-11"
9TH TO 10TH 3'-7"



DETAIL A
TYPICAL BOTH SIDES OF THE STREET



DETAIL B
TYPICAL BOTH SIDES OF THE STREET

LEGEND

EXISTING

- (E1) 9" PCC PAVEMENT
- (E2) BITUMINOUS CONCRETE BINDER AND SURFACE COURSE, VARIABLE DEPTH (3/2" TYP, 2" MIN)
- (E3) 8" PCC BASE COURSE
- (E4) TYPE B CURB
- (E5) PCC SIDEWALK - 4" AVE

PROPOSED

- (1) PAVEMENT REMOVAL, SPECIAL
- (2) CONCRETE CURB AND GUTTER, TYPE B-6.12
- (3) SUB-BASE GRANULAR MATERIAL TYPE B, 4"
- (4) CONCRETE BASE COURSE, 9 INCH
- (5) PCC SIDEWALK, 4 INCH
- (6) 4 FOOT WIDE BRICK PAVER BAND
- (7) HISTORIC LIGHT FOUNDATION
- (8) HOT-MIX ASPHALT SURFACE COURSE, MIX "D", N50 1 1/4"
- (9) LEVELING BINDER (MACHINE METHOD), N50 1"
- (10) BITUMINOUS MATERIALS (PRIME COAT)
- (11) AGGREGATE PRIME COAT
- (12) HOT-MIX ASPHALT SURFACE REMOVAL VARIABLE DEPTH
- (13) GRANULAR STRUCTURAL FILL
- (14) CONCRETE CURB, TYPE B

PAVEMENT DEPTHS ARE FOR INFORMATIONAL PURPOSES ONLY