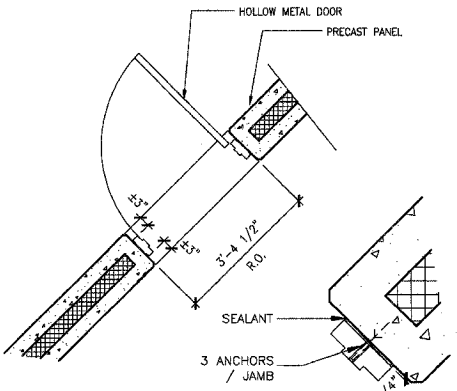
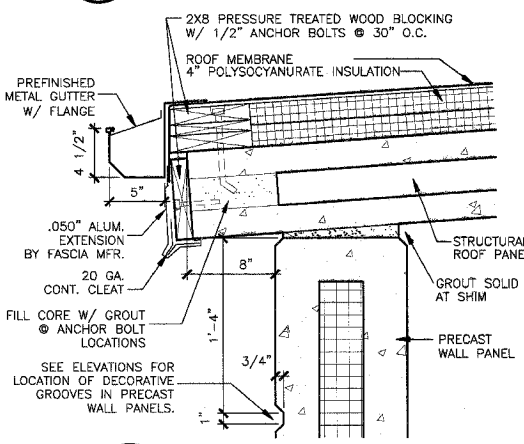


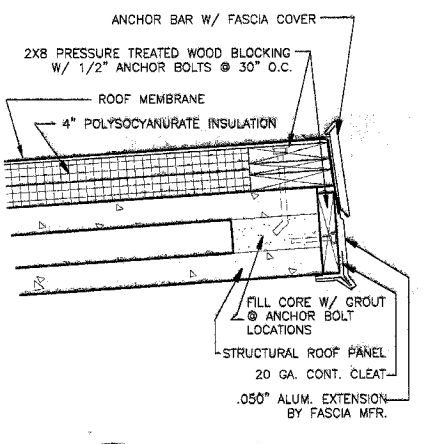
**A PLAN DETAIL**  
1"=1"



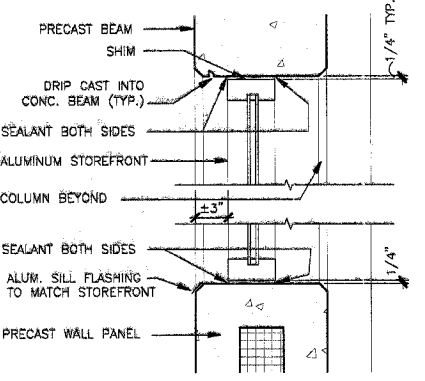
**B DOOR DETAIL**  
1/2"=1'-0"



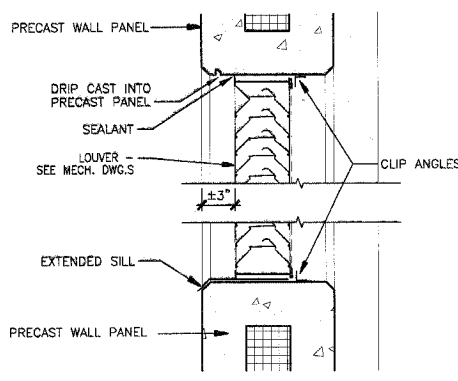
**G ROOF EDGE**  
1-1/2"=1'-0"



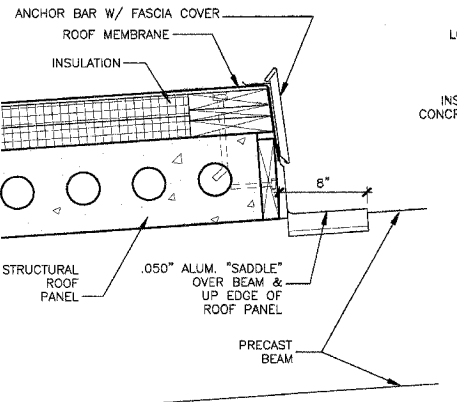
**H ROOF EDGE**  
1-1/2"=1'-0"



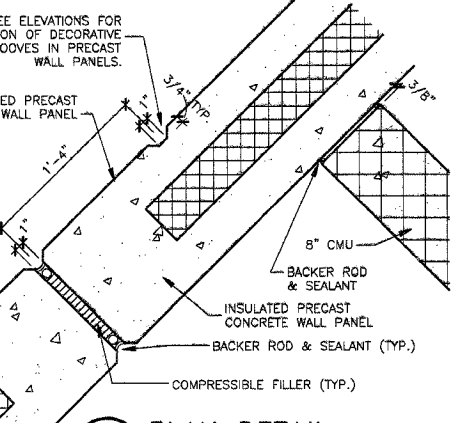
**J WINDOW DETAIL**  
1-1/2"=1'-0"



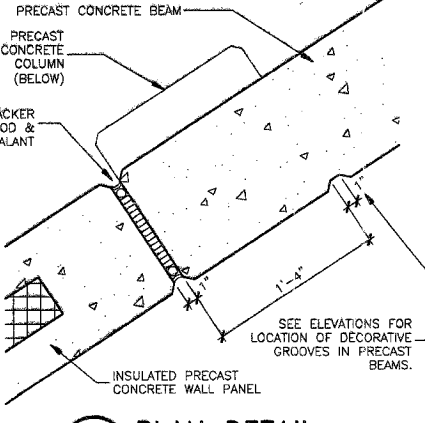
**K LOUVER DETAIL**  
1-1/2"=1'-0"



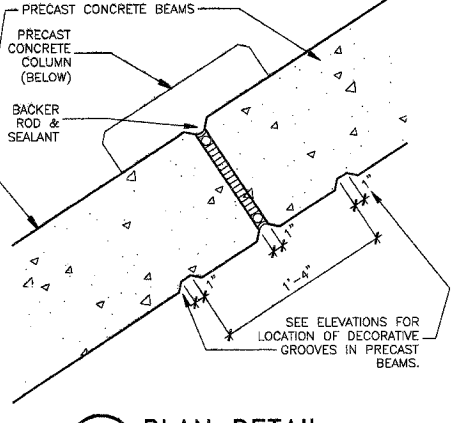
**M ROOF/BEAM DETAIL**  
1-1/2"=1'-0"



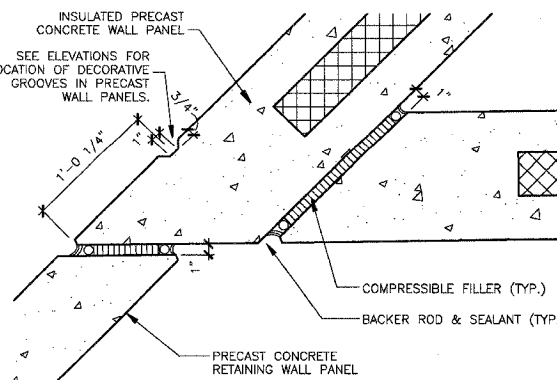
**N PLAN DETAIL**  
1-1/2"=1'-0"



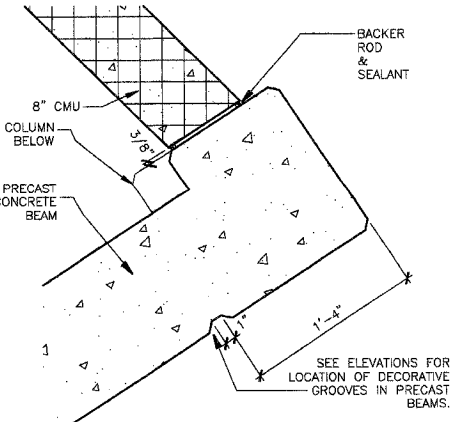
**P PLAN DETAIL**  
1-1/2"=1'-0"



**Q PLAN DETAIL**  
1-1/2"=1'-0"



**S PLAN DETAIL**  
1-1/2"=1'-0"



**V PLAN DETAIL**  
1-1/2"=1'-0"

211 N. Broadway  
Suite 100  
St. Louis, MO 63102  
(314) 241-0100  
(314) 241-0105  
FAX

**KAI**

**PHASE 2B**  
**LEWIS AND CLARK MEMORIAL TOWER**  
**VILLAGE OF HARTFORD, ILLINOIS**  
HARTFORD, ILLINOIS 62049

SHEET TITLE  
**DETAILS**

| REV. NO. | REMARKS | DATE |
|----------|---------|------|
|          |         |      |
|          |         |      |
|          |         |      |

KENNEDY PROJECT NO  
KAI# 10-02048

ISSUE DATE  
12-JULY-05

SHEET NO  
**A5-01**