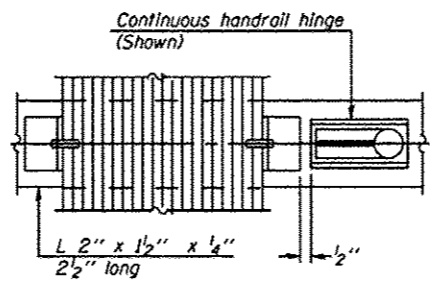
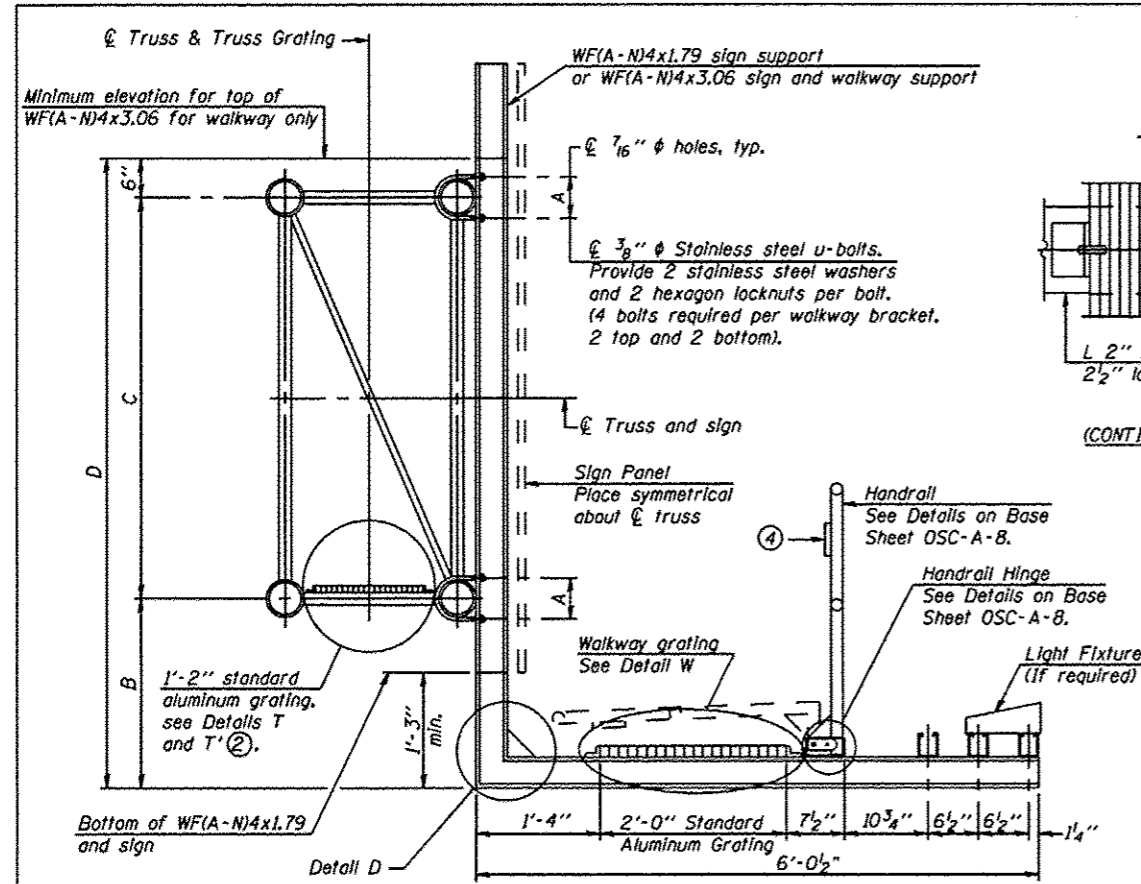
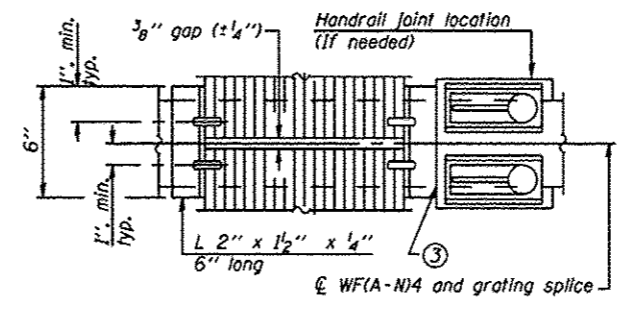


SPECIFICATIONS FOR STANDARD ALUMINUM GRATING
 Main Bearing Bars (MBB) shall be $\frac{3}{16}$ " x $1\frac{1}{2}$ " on $1\frac{3}{16}$ " centers and conform to ASTM B221 Alloy 6061-T6.
 Cross bars (CB) shall be $\frac{3}{16}$ " x $1\frac{1}{2}$ " on 4" centers and conform to ASTM B221 Alloy 6063-T5 or 6061-T6.

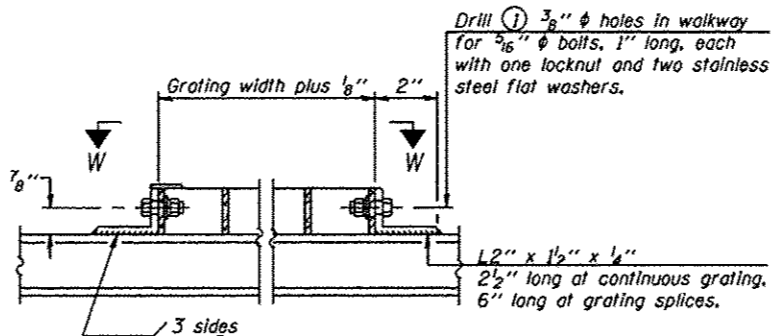
OR
 Aluminum Grating with modified "I" sections for main bearing bars shall meet the following requirements:
 Main bars shall conform to ASTM B221 Alloy 6061-T6 and have a minimum section modulus equal to 0.0705 in.³ per bar, a depth of $1\frac{1}{2}$ ", spaced on $1\frac{3}{16}$ " centers.
 Cross bars shall conform to ASTM B221 Alloy 6063-T5 or T-42 and spaced on 4" centers.



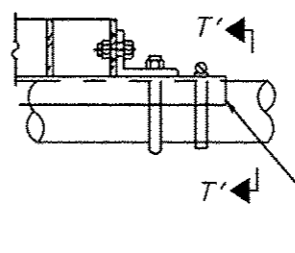
(CONTINUOUS WALKWAY GRATING)



SECTION W-W

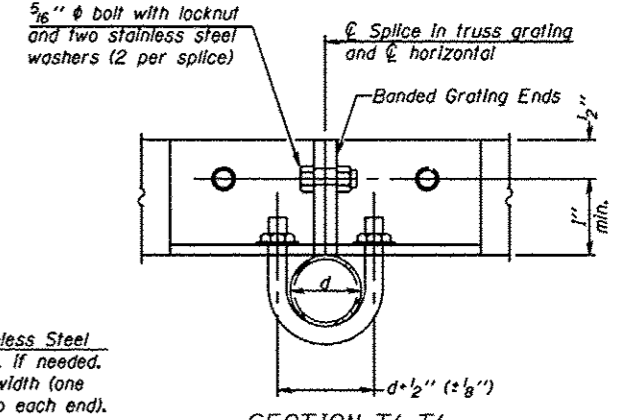


DETAIL W

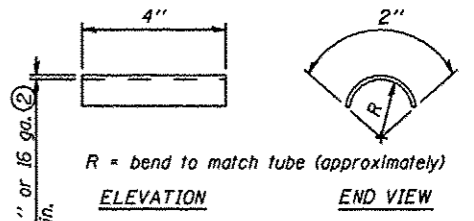


DETAIL T'

Details not shown same as Detail T. Alternate materials may be used subject to the Engineer's review and approval.

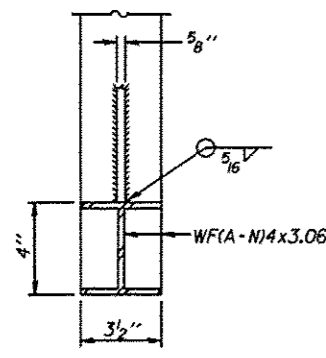


SECTION T'-T'



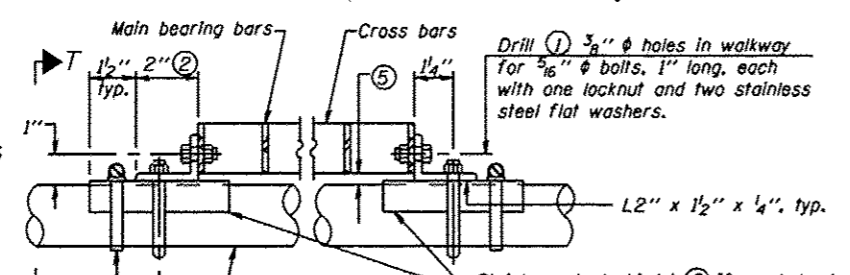
SHIM DETAIL

- Drilling holes in grating may be done in shop or field, based on Contractor's preference and subject to accurate alignment.
- Stainless steel shims shall be placed as shown in Detail T if needed to compensate for alignment variations between horizontal and diagonal pipes beyond adjustment provided by angles. Thicker shims may be used subject to shims performing properly.
- If Handrail joint present, weld angle to WF(A-N)4 and 1/4" extension bars. (See Base Sheet OSC-A-8.)
- 1/8" x 1/2" x 2" welded to handrail posts to protect locations that contact grating.
- Tube to grating gap may vary from 0 to 1/2", max. to align walkway, allow for camber, etc.
- Based on actual sign height. D_s, given on OSC-A-1.



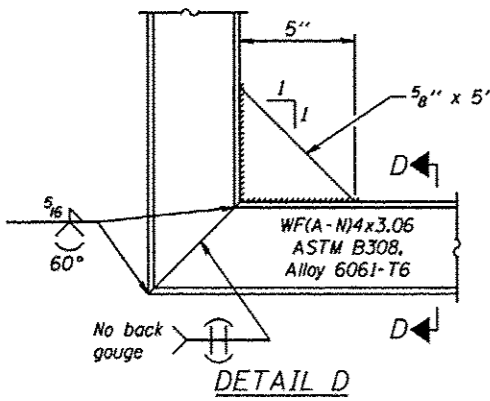
SECTION B-B

Sign shall be even with the top of the bracket, but it may extend no more than 6" above the top of the bracket for field adjustments.

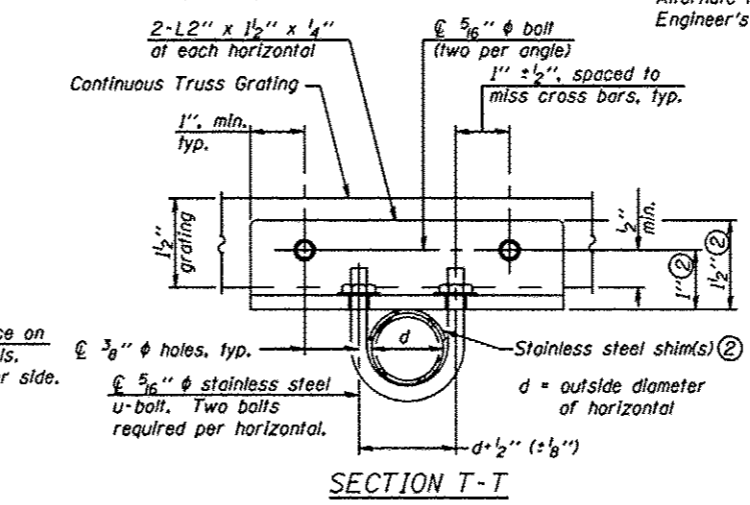


SECTION D-D

Screw type stainless steel tube clamp at shim location



DETAIL D



SECTION T-T

Structure Number	Station	A	(6) B	C	(6) D
2C0711039R097.2	1411 + 85	7'-2"	4'-9"	7'-0"	12'-3"
2C0711039L097.1	1406 + 15	7'-2"	3'-6"	7'-0"	11'-0"
2C0811074L003.6	417 + 25	7'-2"	2'-9"	7'-0"	10'-3"

OSC-A-7

9-15-11

FILE NAME *	USER NAME *	DESIGNED -	REVISED -
		CHECKED -	REVISED -
PLOT SCALE *		DRAWN -	REVISED -
PLOT DATE *		CHECKED -	REVISED -

STATE OF ILLINOIS
 DEPARTMENT OF TRANSPORTATION

CANTILEVER SIGN STRUCTURES - WALKWAY DETAILS
 ALUMINUM TRUSS & STEEL POST

F.A. RTE.	SECTION	COUNTY	TOTAL SHEETS	SHEET NO.
Various	D-2 OVD SIN STR REPL 13-01	Various	25	9
ILLINOIS FED. AID PROJECT			CONTRACT NO. 46214	