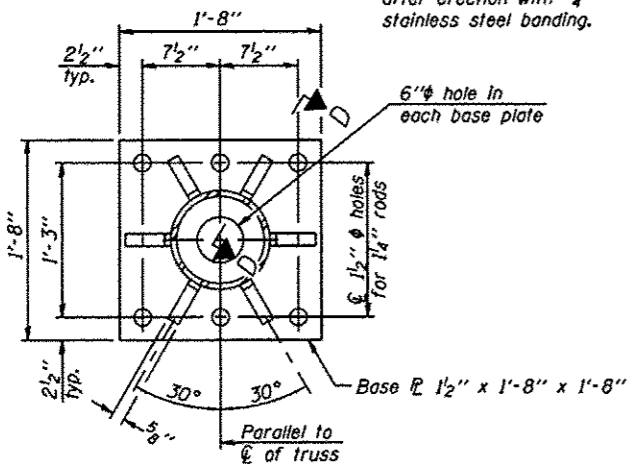


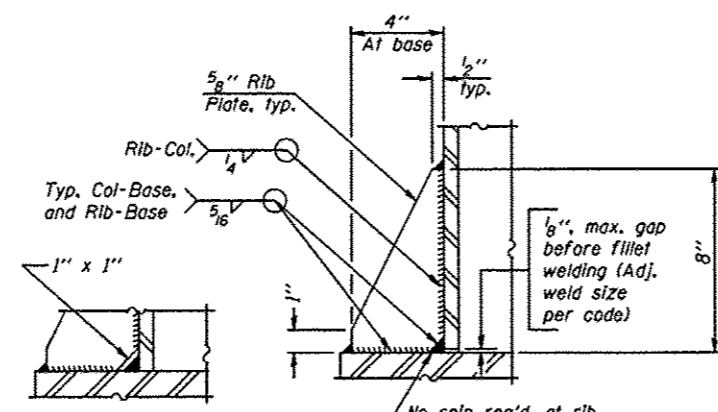
DETAIL B

Ribs shall be cut to fit slope of pipe.

Stainless Steel Standard Grade Wire Cloth, 3" wide, 1/4" maximum opening with a minimum wire diameter of AWG. No. 16 with a minimum 2" lap. Secure to base plate after erection with 3/4" stainless steel banding.

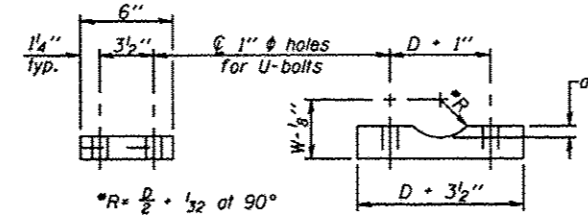


SECTION B-B



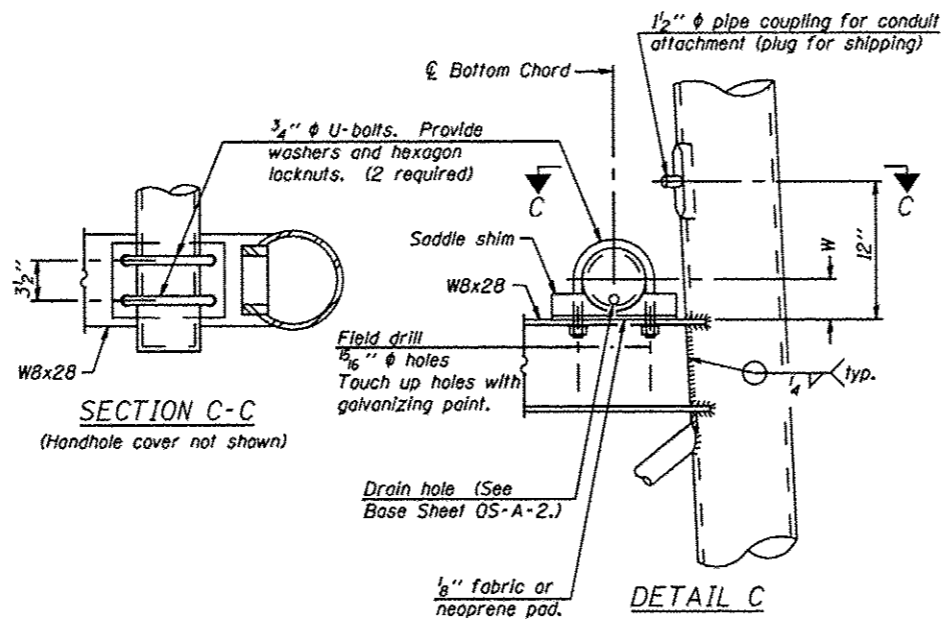
SECTION D-D

** Alternate detail if welding col. to base plate first, then snip inside corner of ribs. Terminate weld on rib 1/4" from snip.



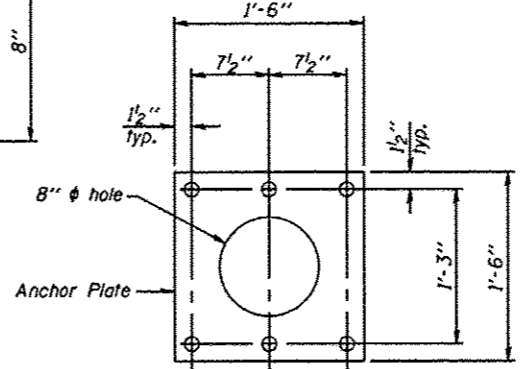
SADDLE SHIM DETAIL
 ASTM B26 Alloy 356-F
 or
 ASTM B209 Alloy 6061-T651
 (4 required per sign truss)

Truss Chord Nominal Dia.	a
5"	3/4"
5 1/2"	13/16"
6"	7/8"
6 1/2"	5/8"
7"	1"

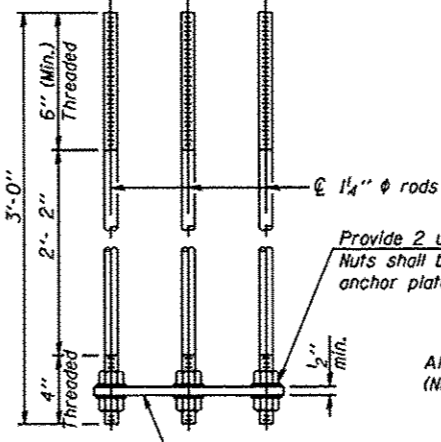


SECTION C-C
(Handhole cover not shown)

DETAIL C



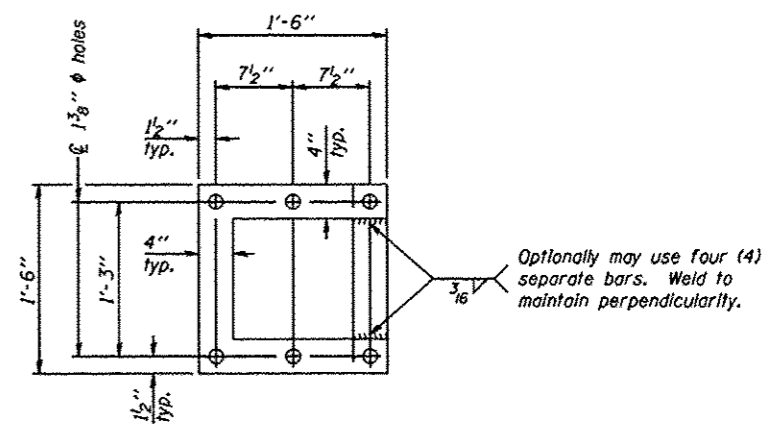
Anchor Plate



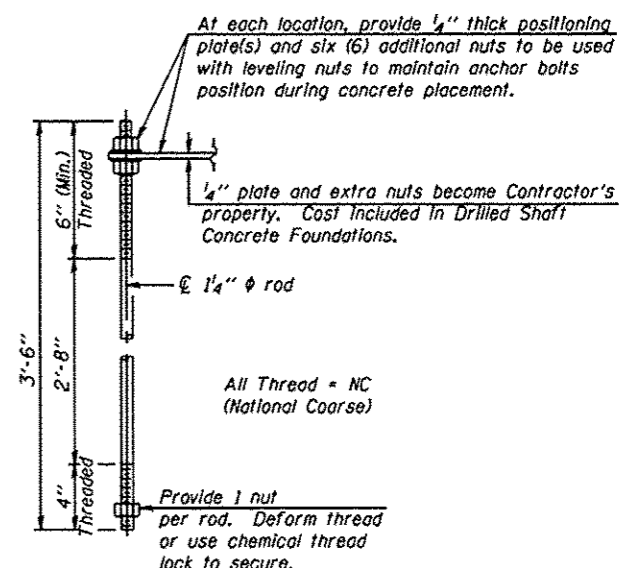
ANCHOR ROD DETAIL
Spread Footing Foundation

Provide 2 uncoated nuts per rod. Nuts shall be "snug tight" against anchor plate.

All Thread = NC (National Coarse)



POSITIONING PLATE(S)



ANCHOR ROD DETAIL
Drilled Shaft Foundation

At each location, provide 1/4" thick positioning plate(s) and six (6) additional nuts to be used with leveling nuts to maintain anchor bolts position during concrete placement.

1/4" plate and extra nuts become Contractor's property. Cost Included In Drilled Shaft Concrete Foundations.

All Thread = NC (National Coarse)

Provide 1 nut per rod. Deform thread or use chemical thread lock to secure.

Anchor rods shall conform to ASTM F1554 Grade 105. Galvanize upper 12" minimum per AASHTO M232. No welding shall be permitted on rods.

10" PIPE SUPPORT FRAME DETAILS

OS-A-6A

1-20-11

FILE NAME	USER NAME	DESIGNED	REVISED
		-	-
		CHECKED	REVISED
		-	-
		DRAWN	REVISED
		-	-
		CHECKED	REVISED
		-	-

STATE OF ILLINOIS
DEPARTMENT OF TRANSPORTATION

OVERHEAD SIGN STRUCTURES
SUPPORT FRAME DETAILS - ALUMINUM TRUSS

F.A. RTE.	SECTION	COUNTY	TOTAL SHEETS	SHEET NO.
Various	D-2 OVD SIGN STR REPL 13-01	Various	25	16
CONTRACT NO. 46214				
ILLINOIS FED. AID PROJECT				