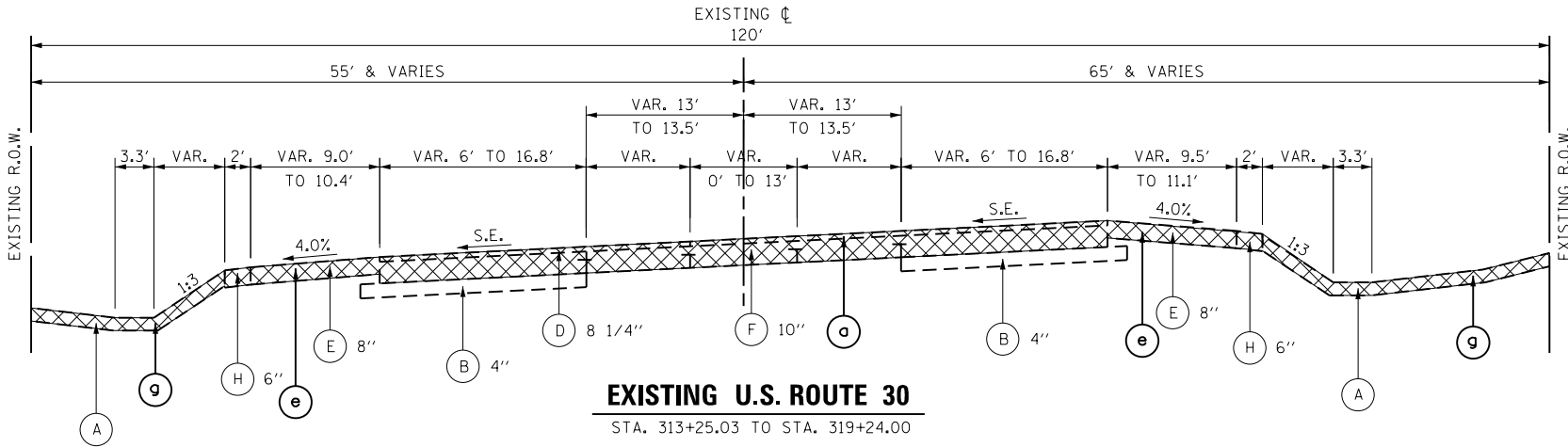
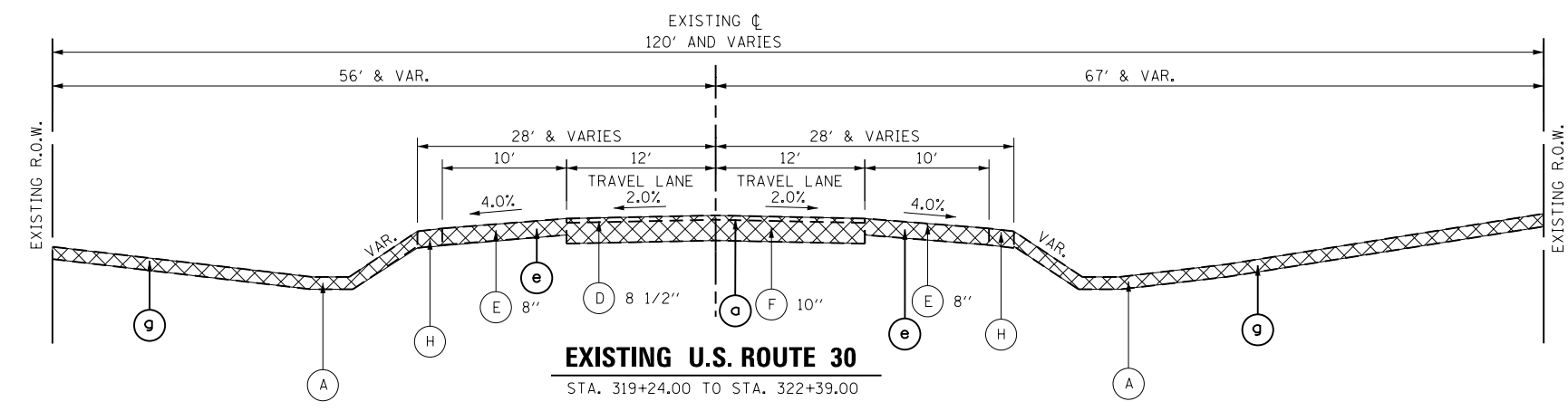


- ### EXISTING LEGEND
- (A) EXISTING TOP SOIL, 10" (UNLESS OTHERWISE NOTED)
 - (B) EXISTING AGGREGATE SUBGRADE
 - (C) EXISTING COURSE AGGREGATE FILL
 - (D) EXISTING HMA PAVEMENT
 - (E) EXISTING HMA SHOULDERS
 - (F) EXISTING PCC PAVEMENT
 - (G) EXISTING PCC SHOULDERS
 - (H) EXISTING AGGREGATE SHOULDERS
 - (I) EXISTING COMB. CONCRETE CURB AND GUTTER
 - (K) EXISTING CONCRETE MEDIAN SURFACE
 - (L) EXISTING HMA MEDIAN SURFACE
 - (M) EXISTING CORRUGATED MEDIAN
 - (N) EXISTING PCC SIDEWALK
 - (O) EXISTING STEEL PLATE BEAM GUARDRAIL
 - (P) EXISTING TIE BARS



- ### REMOVAL LEGEND
- (a) PAVEMENT REMOVAL
 - (b) COMB. CURB & GUTTER REMOVAL
 - (c) SIDEWALK REMOVAL
 - (d) MEDIAN REMOVAL
 - (e) PAVED SHOULDER REMOVAL
 - (f) GUARDRAIL REMOVAL
 - (g) TOPSOIL EXCAVATION



FILE NAME = s:\p1\6300--6395\6346\023\micro\sh\0168132-sh\typical.dgn



USER NAME = amandaj	DESIGNED - MAG	REVISED -
PLOT SCALE = 14.0000' / in.	DRAWN - MAG	REVISED -
PLOT DATE = 5/14/2012	CHECKED - SJN	REVISED -
	DATE -	REVISED -

STATE OF ILLINOIS
DEPARTMENT OF TRANSPORTATION

TYPICAL SECTIONS	
SCALE: AS SHOWN	SHEET NO. OF SHEETS STA. TO STA.

F.A.P. RTE.	SECTION	COUNTY	TOTAL SHEETS	SHEET NO.
349	11 WRS-3	KENDALL	527	33
FED. ROAD DIST. NO. ILLINOIS FED. AID PROJECT			CONTRACT NO. 60132	