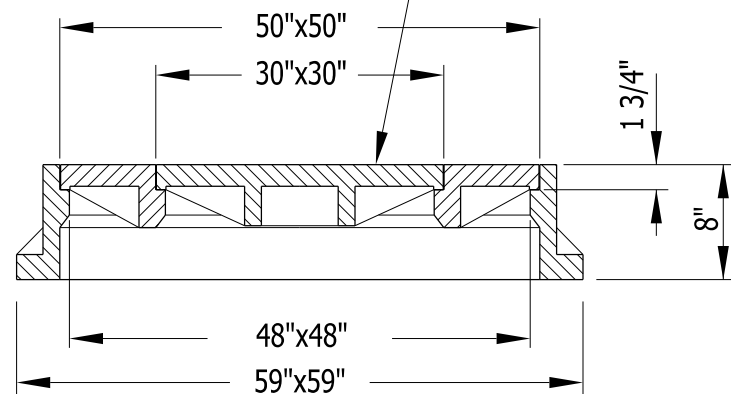


PLAN

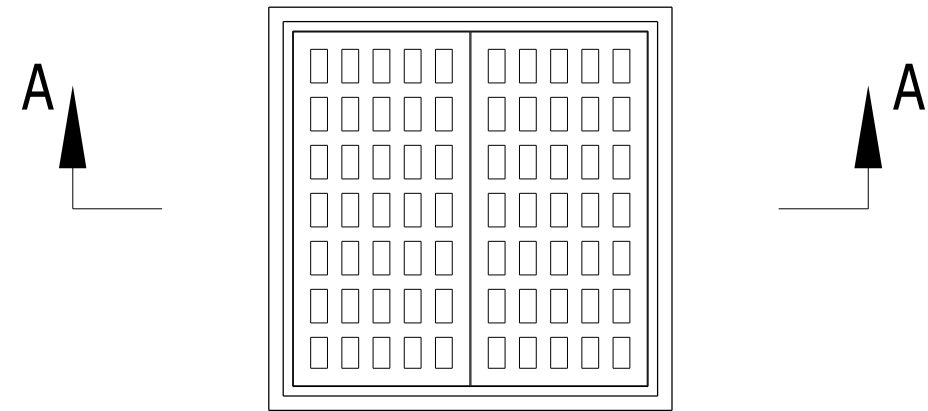
ACCESS HATCH



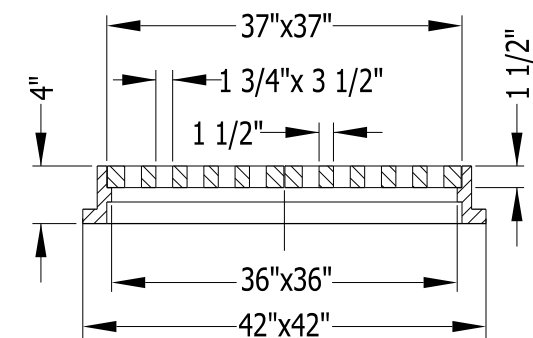
SECTION A-A

MANHOLE FRAME AND LID DETAIL

NOT TO SCALE



PLAN



SECTION A-A

INLET FRAME AND GRATE DETAIL

NOT TO SCALE

FILE NAME =	USER NAME = pencepl	DESIGNED -	REVISED -	STATE OF ILLINOIS	FRAME AND GRATE AND FRAME AND LID DETAIL ILLINOIS ROUTE 120 AT ALMOND RD. AND RIVER RD.	F.A.P. RTE.	SECTION	COUNTY	TOTAL SHEETS	SHEET NO.
ct:\pwork\pwork\pencepl\d0187967\170309-Design.dgn	DRAWN -	REVISED -	342			2011-220-N	LAKE	41	23	
PLOT SCALE = 100.0000' / in.	CHECKED -	REVISED -	CONTRACT NO. 60R59							
PLOT DATE = 6/29/2012	DATE -	REVISED -	ILLINOIS FED. AID PROJECT							
						SHEET	OF	SHEETS	STA.	TO STA.