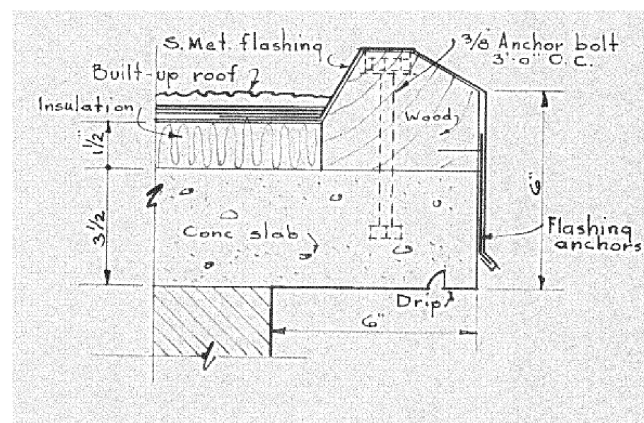
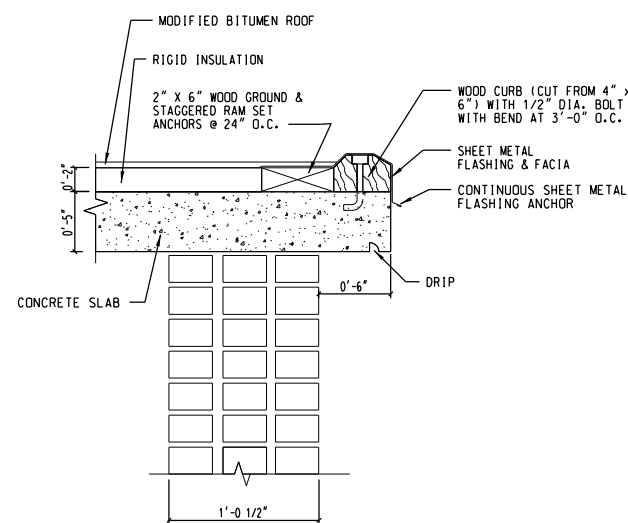


4 FIRE ESCAPE - DETAILS FROM 1947 PLANS
NOT TO SCALE

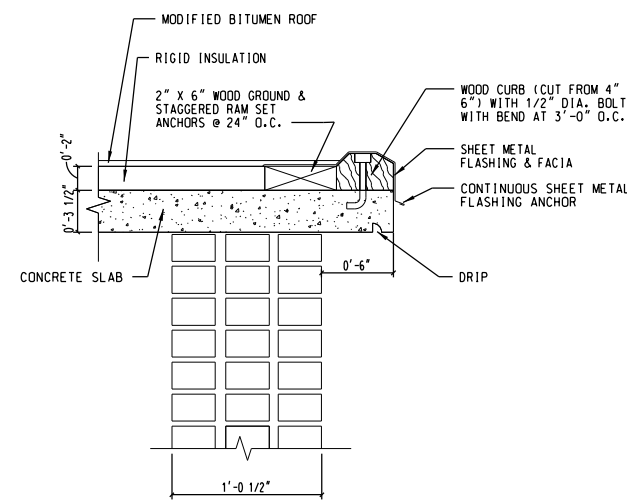


FROM 1947 PLANS - EXISTING ROOFING IS MODIFIED BITUMEN

1 1947 CORNICE DETAIL
NOT TO SCALE



2 1960 1ST FLOOR ROOF CORNICE DETAIL
1 1/2" = 1'-0"



3 1960 2ND FLOOR ROOF CORNICE DETAIL
1 1/2" = 1'-0"

