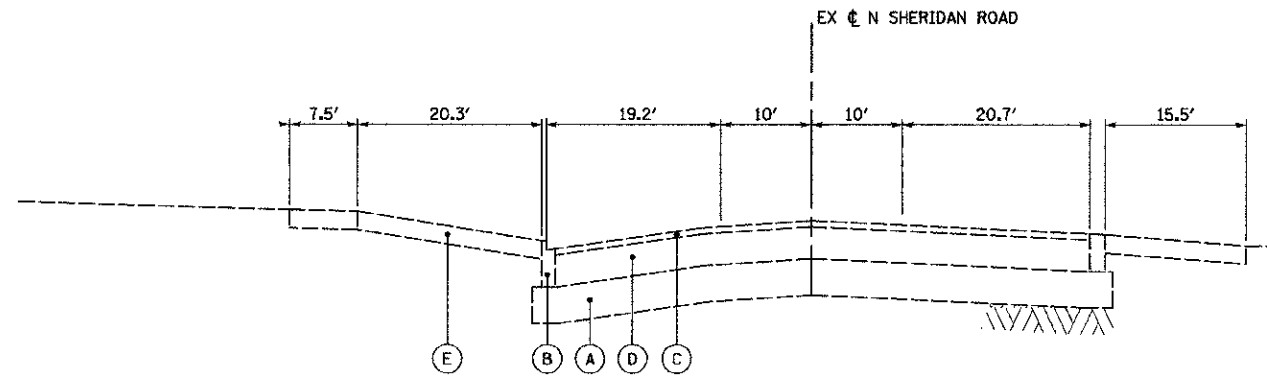


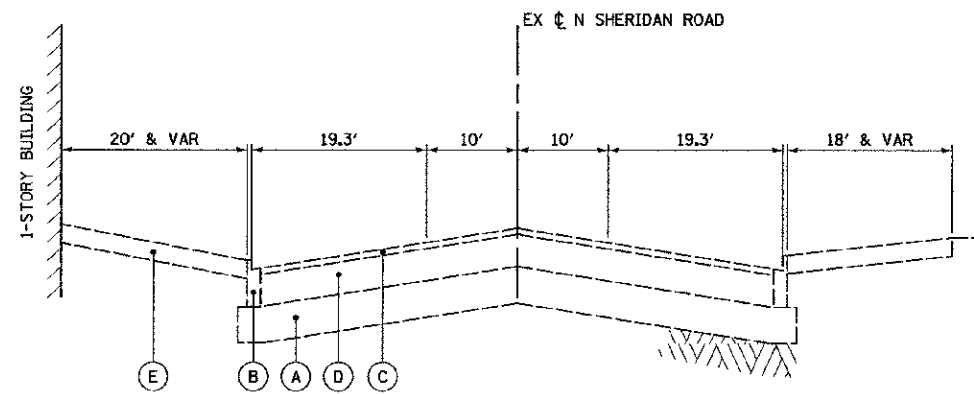
EXISTING TYPICAL SECTION NO. 1
STA 48+40.18 TO STA 50+00.00, N. SHERIDAN ROAD

LEGEND

- (A) EX SUBBASE
- (B) EX COMBINATION CONCRETE CURB & GUTTER B-6.12
- (C) EX HOT-MIX ASPHALT SURFACE COURSE, (THICKNESS VARIES)
- (D) EX PAVEMENT
- (E) EX PAVED PARKWAY



EXISTING TYPICAL SECTION NO. 2
STA 50+00.00 TO STA 51+00.00, N. SHERIDAN ROAD



EXISTING TYPICAL SECTION NO. 3
STA 51+00.00 TO STA 52+13.27, N. SHERIDAN ROAD

FILE NAME =	DESIGNED - AAF	REVISED -	STATE OF ILLINOIS DEPARTMENT OF TRANSPORTATION	EXISTING TYPICAL SECTIONS	F.A.J. RTE.	SECTION	COUNTY	TOTAL SHEETS	SHEET NO.	
... \expln\ABC\tya-01.dgn	DRAWN - TMB	REVISED -			2865	10-B5159-00-TL	COOK	62	12	
USER NAME = telenk	CHECKED - JMM	REVISED -			CONTRACT NO. 63715					
DATE = 7/2/2012	DATE - 7/2/2012	REVISED -			ILLINOIS FED. AID PROJECT					
			SCALE: NTS	SHEET NO. 1 OF 1 SHEETS	STA.	TO STA.				