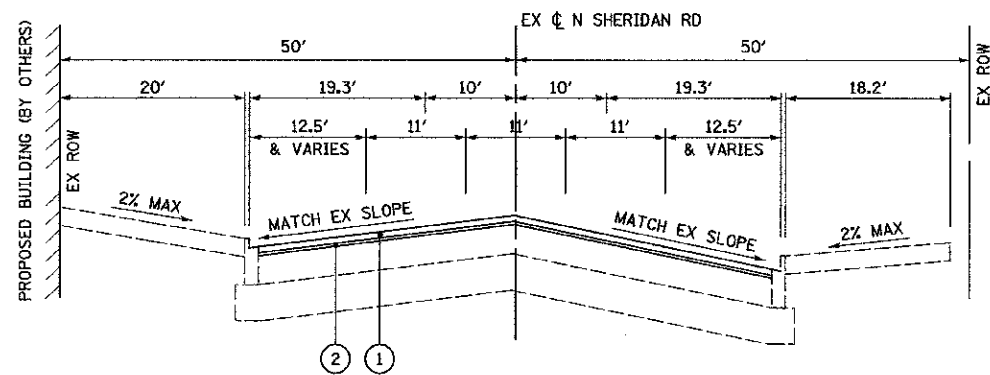
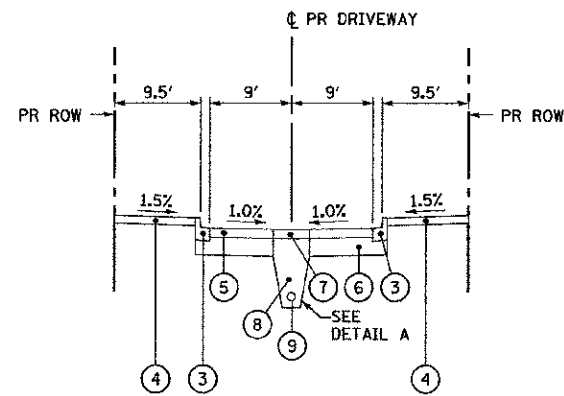


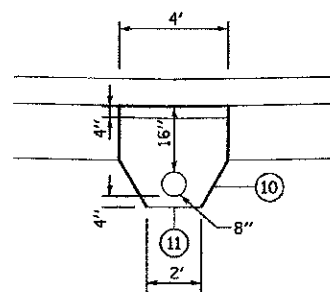
PROPOSED TYPICAL SECTION NO.1
STA 48+40.18 TO STA 50+00.00, N SHERIDAN RD



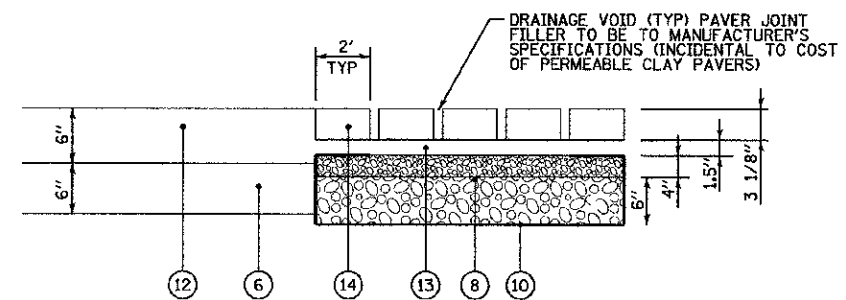
PROPOSED TYPICAL SECTION NO 2
STA 51+00.00 TO STA 52+13.27, N SHERIDAN RD



PROPOSED TYPICAL SECTION DRIVEWAY
STA 13+15.85 TO STA 14+90.00



DETAIL A



PROPOSED TYPICAL SECTION PLAZA

USE DETAIL A FOR UNDERDRAIN LOCATIONS

LEGEND

- ① HMA SURFACE COURSE, MIX "D", N70, (IL 9.5mm), 1 1/2"
- ② LEVELING BINDER (MACHINE METHOD), N70, (IL 9.5mm), 3/4"
- ③ COMBINATION CONCRETE CURB & GUTTER, TYPE B-6.12
- ④ PCC SIDEWALK, 5 INCH
- ⑤ HIGH EARLY STRENGTH PORTLAND CEMENT CONCRETE PAVEMENT, 8" (SPECIAL)
- ⑥ SUBBASE GRANULAR MATERIAL, TYPE B, (8" FOR DRIVEWAY, 6" FOR PLAZA)
- ⑦ PORTLAND CEMENT CONCRETE PAVEMENT, 8" (SPECIAL)
- ⑧ SUBBASE GRANULAR MATERIAL (SPECIAL) (4" - CA-7 OVER CA-1)
- ⑨ PERFORATED EXTRA STRENGTH VITRIFIED CLAY PIPE, 8"
- ⑩ GEOTECHNICAL FABRIC FOR GROUND STABILIZATION
- ⑪ FILTER FABRIC
- ⑫ STAMPED PCC SIDEWALK, 6 INCH
- ⑬ BEDDING MATERIAL (SPECIAL) (CA-16)
- ⑭ PERMEABLE CLAY PAVERS

FILE NAME =	DESIGNED - AAF	REVISED -	STATE OF ILLINOIS DEPARTMENT OF TRANSPORTATION	PROPOSED TYPICAL SECTIONS			F.A.I. RTE.	SECTION	COUNTY	TOTAL SHEETS	SHEET NO.	
USER NAME = tblank	DRAWN - TMB	REVISED -		SCALE: NTS	SHEET NO. 1 OF 1 SHEETS	STA.	TO STA.	2865	10-B5159-00-TL	COOK	62	13
PLLOT DATE = 7/2/2012	CHECKED - JMM	REVISED -					CONTRACT NO. 63715			ILLINOIS FED. AID PROJECT		
	DATE - 7/2/2012	REVISED -										