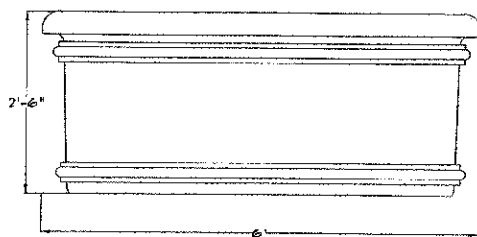


**LOYOLA BENCH DETAIL**



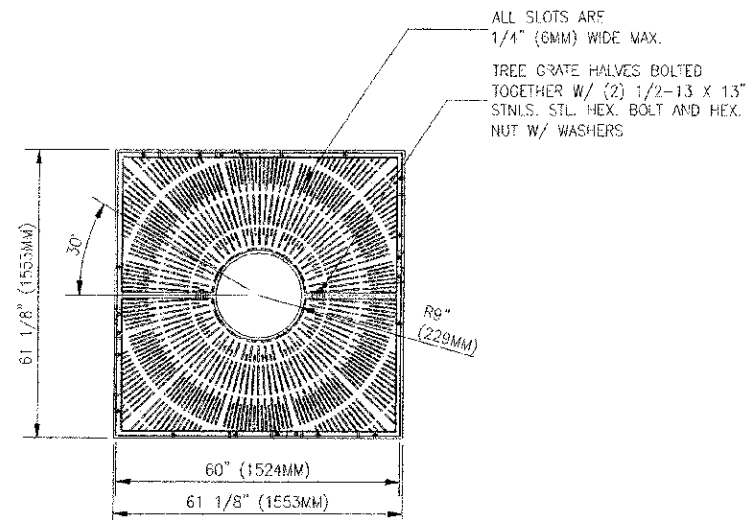
**MOVABLE PLANTER DETAIL**

DIE CAST EXTRUDED ALUMINUM  
SAFETY GLASS  
REFLECTOR ANODIZED ALUMINUM  
INTEGRAL ELECTRONIC DRIVER DIMMABLE

LED LAMP 19.6 W, 2250 LUMEN  
39 3/8 "X6 3/8"X6 3/8"

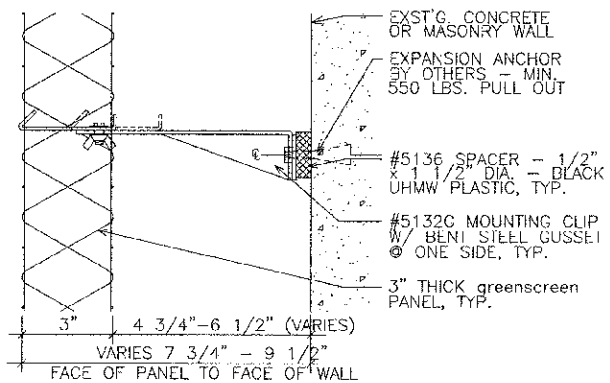


**BOLLARD LIGHT DETAIL**

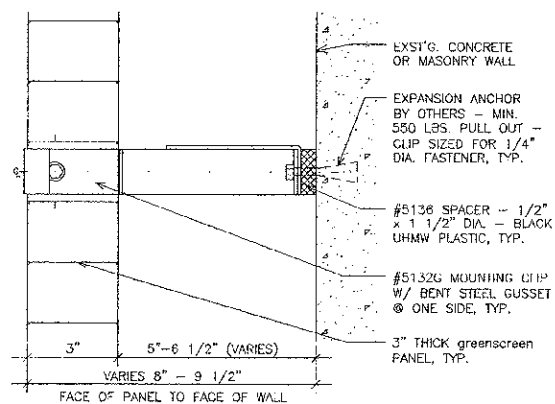


GRATE SHOWN: NEENAH R- OR USE APPROVED EQUAL  
NOTE: ALL DIMENSIONS SHOWN ARE IN ENGLISH AND [METRIC]  
MATERIAL: CAST GRAY IRON ASTM A-48, CLASS 35B  
FINISH: NO PAINT  
WEIGHT: APPROX. 240#

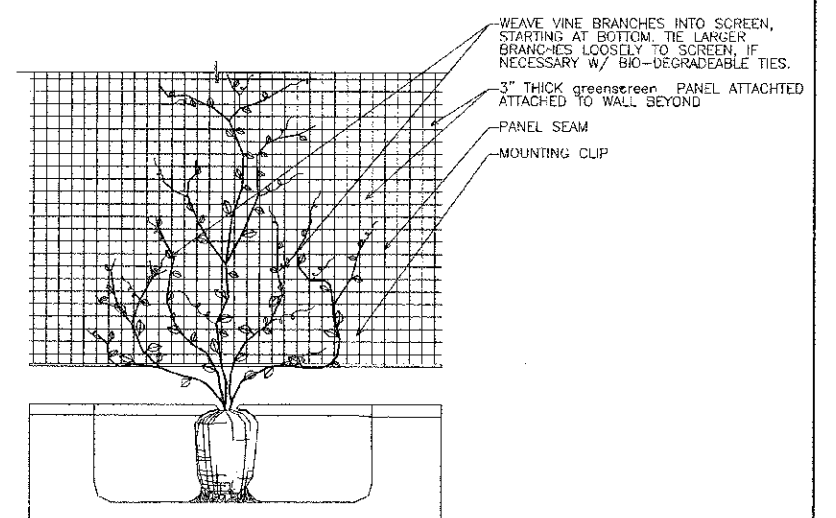
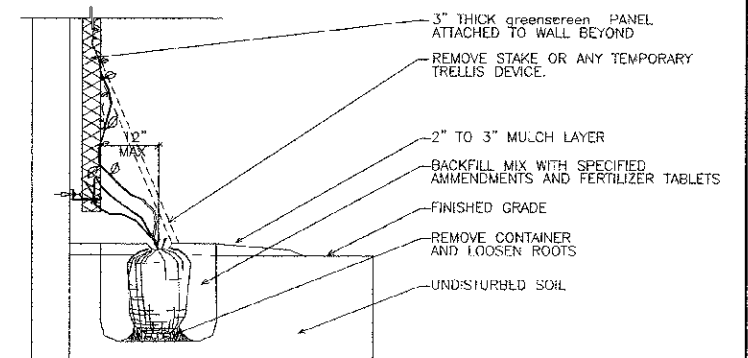
**TREE GRATE DETAIL**



**#5132G MOUNTING CLIP  
WALL MOUNTED SECTION**



**#5132G MOUNTING CLIP  
WALL MOUNTED PLAN**



**SECTION AND ELEVATION  
TYPICAL FOR WALL MOUNTED APPLICATION**

FILE NAME =	DESIGNED -	REVISED -
...\\ppp\in\abc\1a\det-10-3.dgn	DRAWN -	REVISED -
USER NAME = tblank	CHECKED -	REVISED -
PLOT DATE = 7/2/2012	DATE = 7/2/2012	REVISED -



STATE OF ILLINOIS  
DEPARTMENT OF TRANSPORTATION

LANDSCAPING DETAILS

SCALE: NTS SHEET NO. 3 OF 3 SHEETS STA. TO STA.

F.A.U. RTE.	SECTION	COUNTY	TOTAL SHEETS	SHEET NO.
2865	10-B5159-00-TL	COOK	62	20
			CONTRACT NO. 63715	
ILLINOIS FED. AID PROJECT				