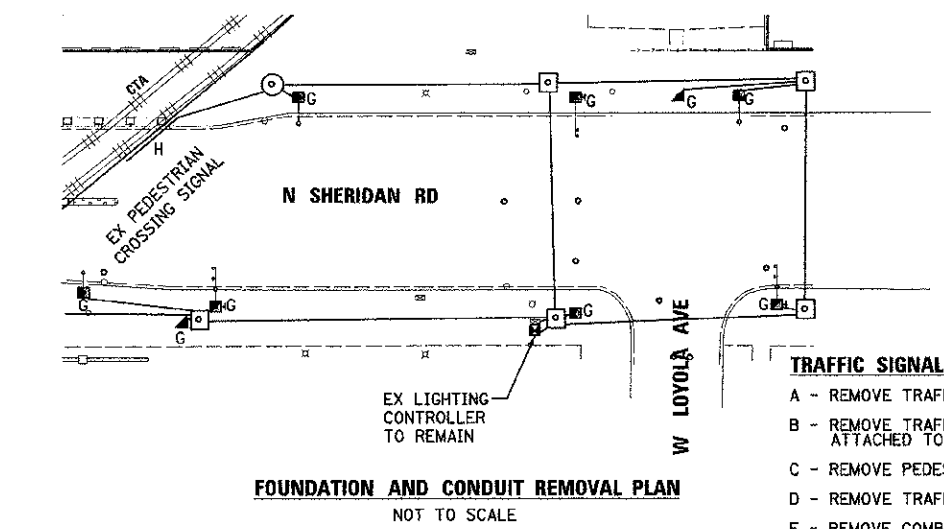
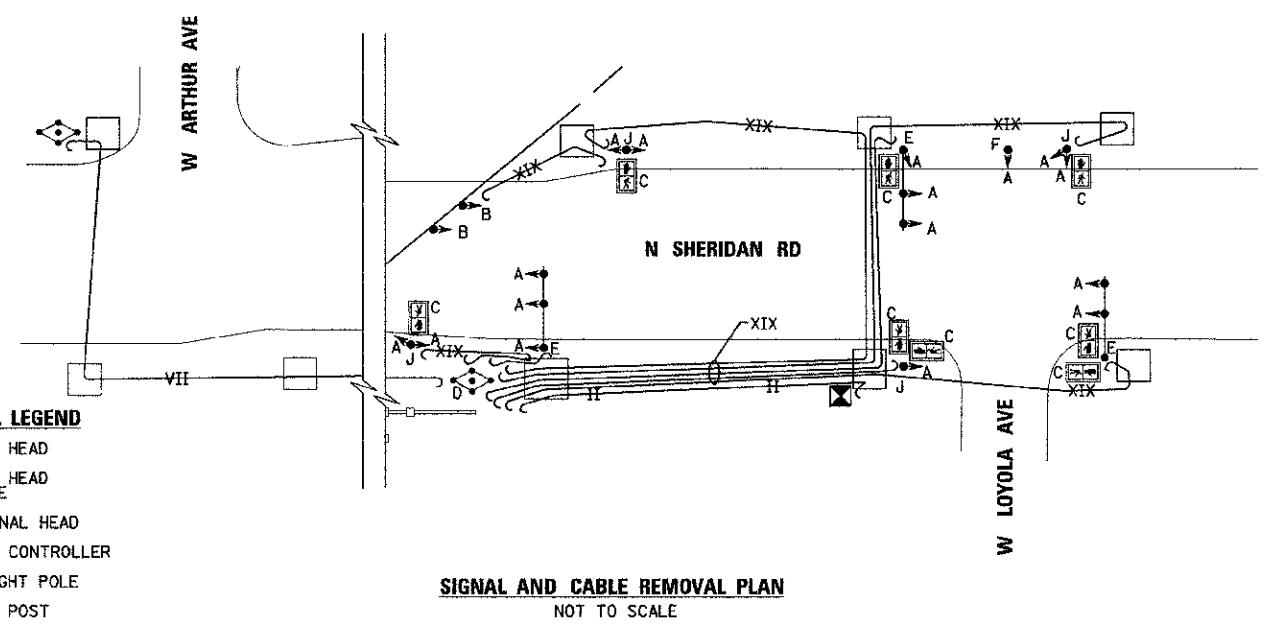


- CONSTRUCTION NOTES**
- FOREMAN TO CONTACT ALL UTILITIES PRIOR TO EXCAVATION FOR EXACT LOCATION OF THEIR UNDERGROUND FACILITIES AND VAULTS.
 - CONSTRUCT TRAFFIC SIGNAL CONTROLLER FOUNDATION PER BOE STANDARD DWG. #888A
 - INSTALL TRAFFIC SIGNAL HEADS PER BOE STANDARD DWG. #834 AND/OR DWG. #835.
 - FOR CODE SHEET SEE BOE STANDARD DWG. #826.
 - CONTRACTOR TO COORDINATE THE TEMPORARY TRAFFIC CONTROL PLAN WITH THE MOT PLAN.
 - POLE MOUNTED JUNCTION BOXES ARE INCIDENTAL TO PROPOSED TRAFFIC SIGNAL POLE.
 - EXISTING CONDUIT AND MANHOLES/HANDHOLES TO BE RODDED AND CLEANED IN ACCORDANCE WITH CDOT SPECIFICATIONS.
 - ALL CABLE SLACK IN MANHOLES/HANDHOLES MUST BE TRAINED AND RACKED THIS INCIDENTAL TO THE CABLE INSTALLATION.
 - TRAFFIC SIGNAL EQUIPMENT SHALL BE BLACK IN COLOR.



- TRAFFIC SIGNAL REMOVAL LEGEND**
- A - REMOVE TRAFFIC SIGNAL HEAD
 - B - REMOVE TRAFFIC SIGNAL HEAD ATTACHED TO STRUCTURE
 - C - REMOVE PEDESTRIAN SIGNAL HEAD
 - D - REMOVE TRAFFIC SIGNAL CONTROLLER
 - E - REMOVE COMBINATION LIGHT POLE
 - F - REMOVE TRAFFIC SIGNAL POST
 - G - BREAKDOWN FOUNDATION
 - H - REMOVE CONDUIT, JUNCTION BOXES AND RELATED HARDWARE ATTACHED TO STRUCTURE
 - J - REMOVE LIGHT POLE



REFER TO DRAWING #23117 "A" FOR LIGHTING PLAN

| DATE | REVISION | | | |
|--|--------------------------|--------|--------------|-----------|
| SUPERSEDES DWG. # | | | | |
| WORK ORDER NO. | DATE | | | |
| COST ALLOCATION ACCOUNT | | | | |
| APPROPRIATION ACCOUNT (MATERIAL LABOR) | | | | |
| TRAFFIC CONTROL SIGNALS | | | | |
| N SHERIDAN RD & W LOYOLA AVE | | | | |
| CITY OF CHICAGO | | | | |
| DEPT. OF STREETS AND SANITATION BUREAU OF ELECTRICITY DIVISION OF ELECTRICAL ENGINEERING | | | | |
| DRAFTSMAN: | ENGINEER: | | | |
| SUPERVISING ENGINEER: | ELEC. DESIGN ENGR. | | | |
| ENGINEER OF ELECTRICITY: | DWG. NO. 23117 | | | |
| GENL. SUPT. OF ELECTRICITY: | | | | |
| DEPUTY COMMISSIONER: | | | | |
| SIZE: | AS NOTED SCALE: DATE: | | | |
| F.A.U. RT.E. | SECTION | COUNTY | TOTAL SHEETS | SHEET NO. |
| 2885 | 10-B5159-00-TL | COOK | 62 | 36 |
| CONTRACT NO. 63715 | | | | |
| ILLINOIS FED. AID PROJECT | | | | |

| | | |
|--------------------------------|-----------------|-----------|
| FILE NAME = | DESIGNED - CCC | REVISED - |
| ...\\signals\orp\in-abc\toadgn | DRAWN - TMB | REVISED - |
| USER NAME = toddblanc | CHECKED - JMM | REVISED - |
| PLOT DATE = 8/3/2012 | DATE - 8/3/2012 | REVISED - |



STATE OF ILLINOIS
DEPARTMENT OF TRANSPORTATION

TRAFFIC CONTROL SIGNAL
N SHERIDAN RD AND W LOYOLA AVE

SCALE: 1"=20' SHEET NO. 3 OF 3 SHEETS STA. _____ TO STA. _____