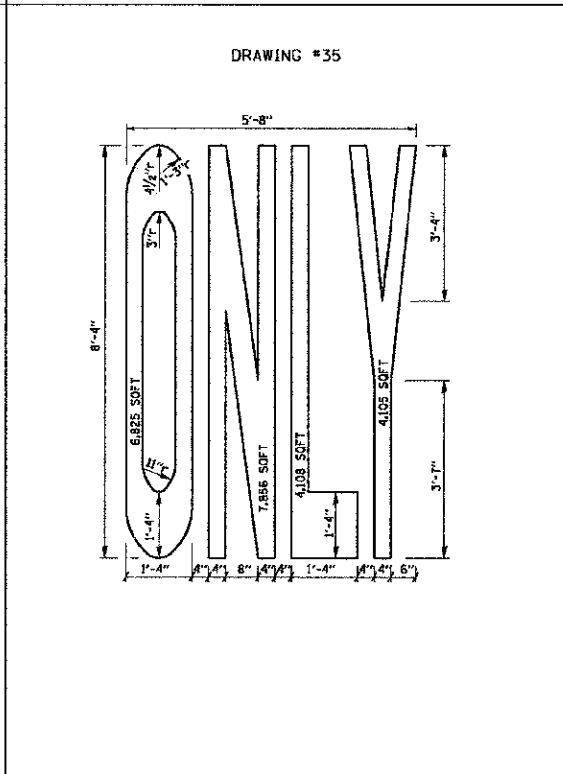
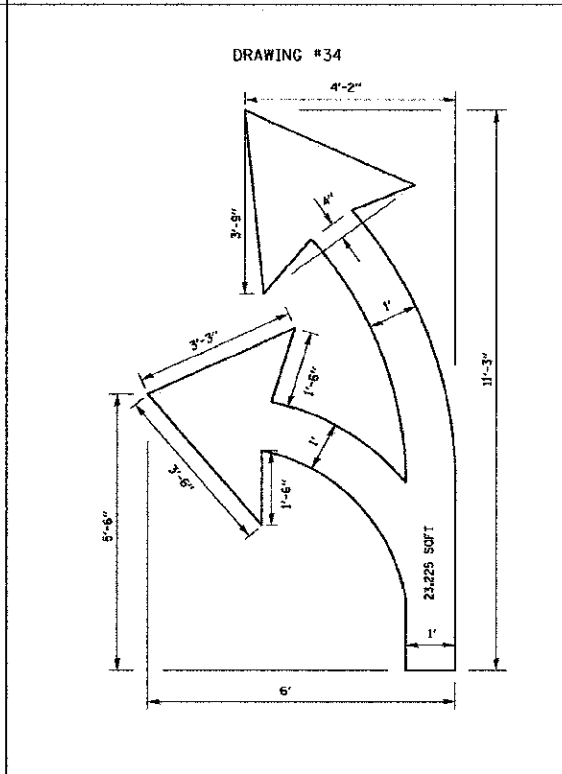
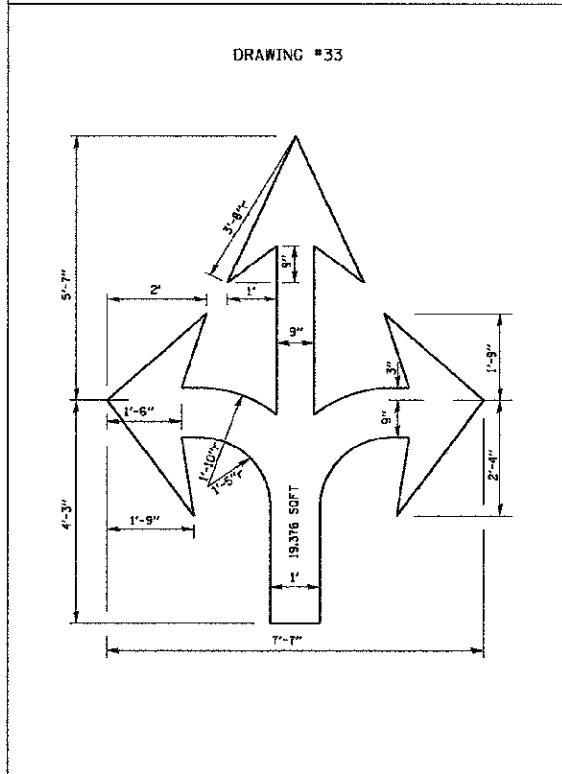
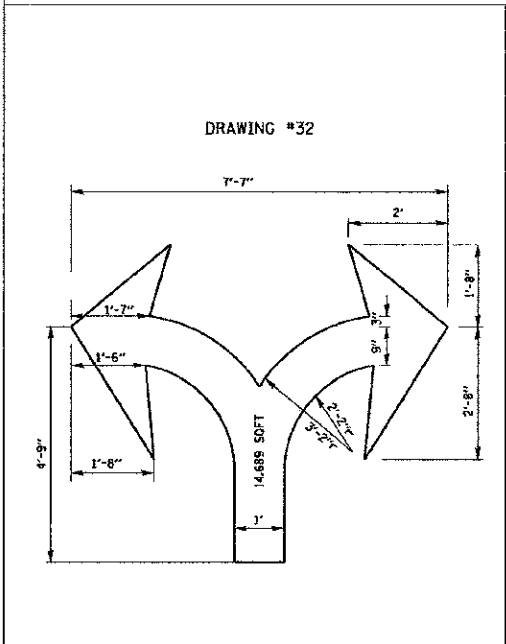
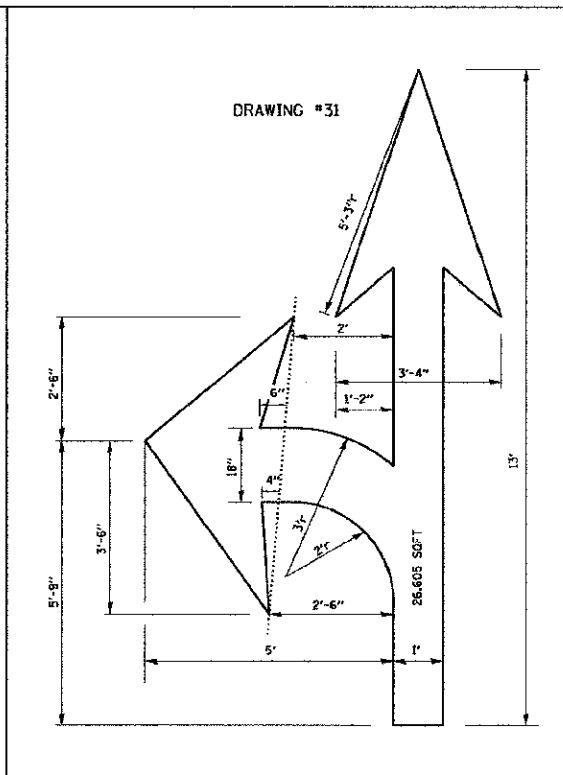
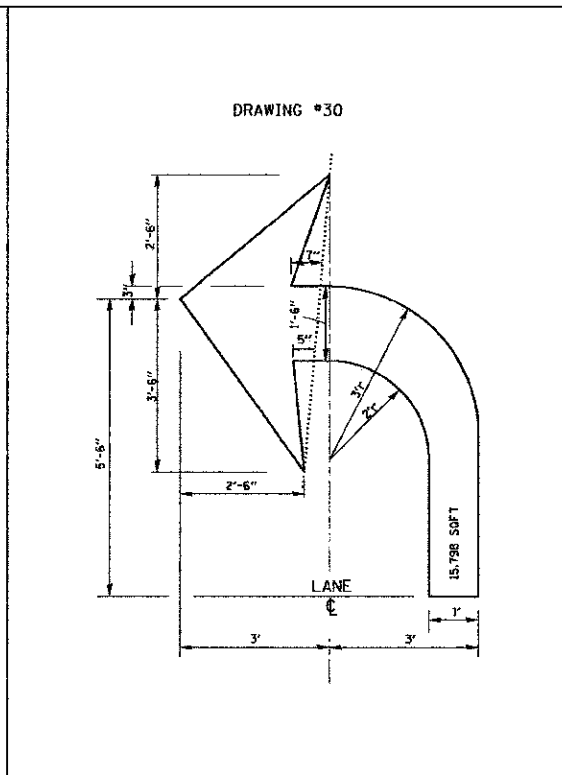
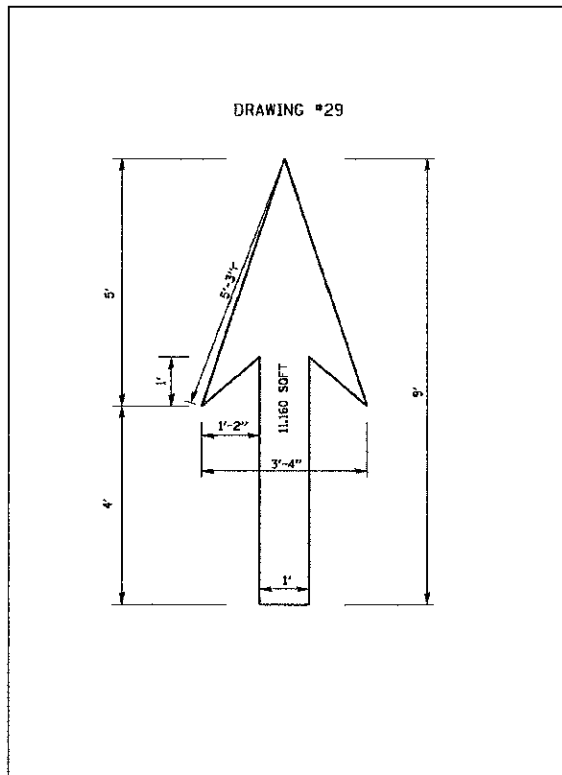


- NOTE:**
- FOR BIKE LANE SYMBOLS ONLY, USE PRE-FORMED THERMOPLASTIC WITH A MINIMUM THICKNESS OF 90 MILS, MINIMUM SKID RESISTANCE VALUE OF 60 BPN, & A MINIMUM INDEX OF REFRACTION OF 1.50.
  - THE RESIDENT ENGINEER SHALL CONTACT MR. BEN GOMBERG AT 312-744-8093 AT LEAST ONE CALENDAR WEEK PRIOR TO INSTALLING BIKE LANE SYMBOLS.

TYPICAL BIKE LANE SYMBOLS  
DRAWING #28



**NOTE:**  
ALL MARKINGS SHALL BE SOLID WHITE UNLESS OTHERWISE NOTED IN THE PLANS

FILE NAME =	USER NAME = drlvakosgn	DESIGNED -	REVISED - T. RAMMACHER 12-07-00
ca:\pwork\pav\dot\drlvakosgn\d21188315\24.dgn		DRAWN -	REVISED - K. ENG 02-28-12
	PLOT SCALE = 500.0000 1/1 in.	CHECKED -	REVISED -
	PLOT DATE = 3/29/2012	DATE -	REVISED -

**STATE OF ILLINOIS**  
**DEPARTMENT OF TRANSPORTATION**

**CITY OF CHICAGO**  
**TYPICAL PAVEMENT MARKINGS**

SCALE: NONE SHEET NO. 2 OF 2 SHEETS STA. TO STA.

F.A. R.T.E.	SECTION	COUNTY	TOTAL SHEETS	SHEET NO.
2865	05-B5159-00-TL	COOK	62	62
TC-24			CONTRACT NO. 63715	
FED. ROAD DIST. NO. 1 ILLINOIS/FED. AID PROJECT				