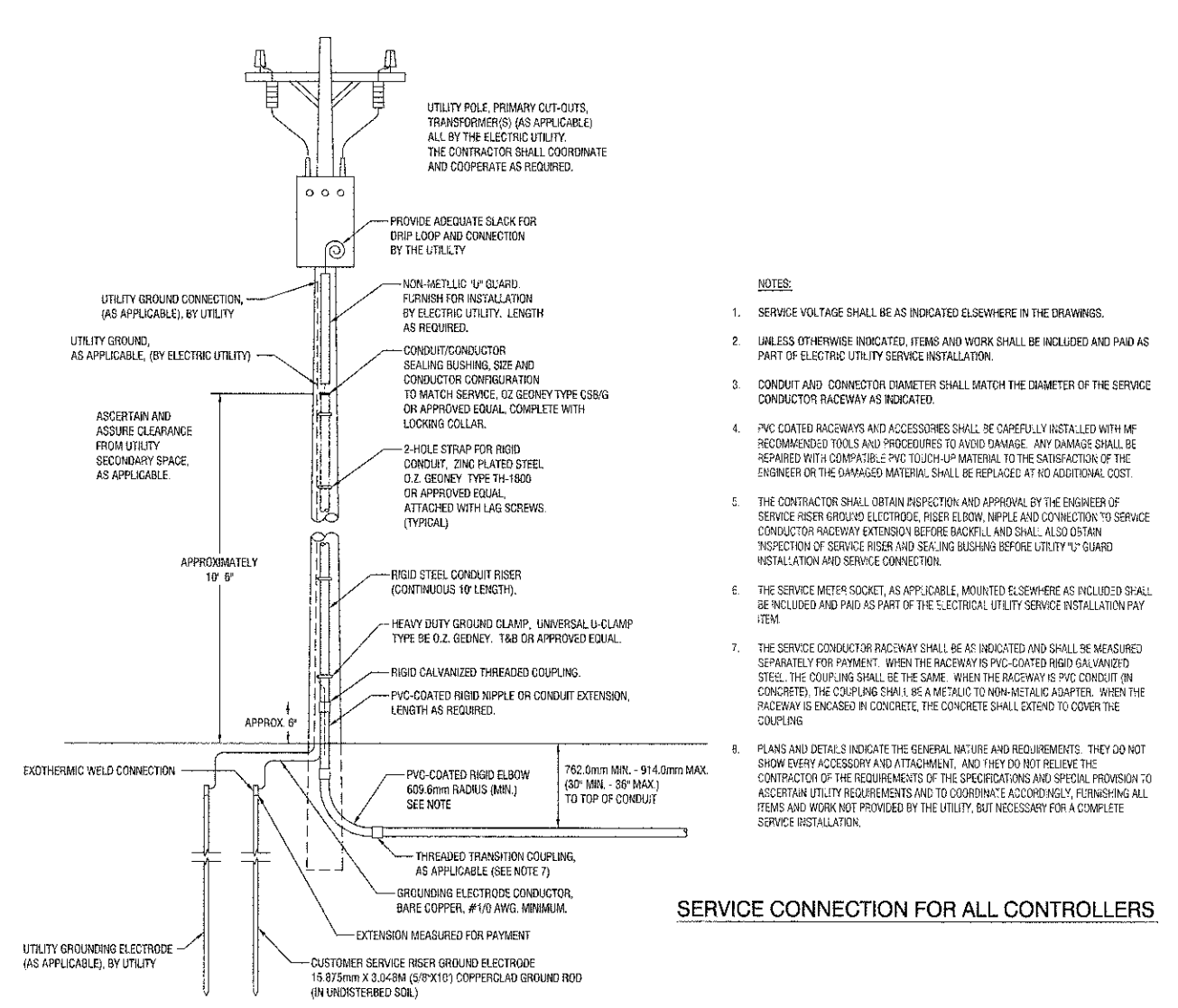


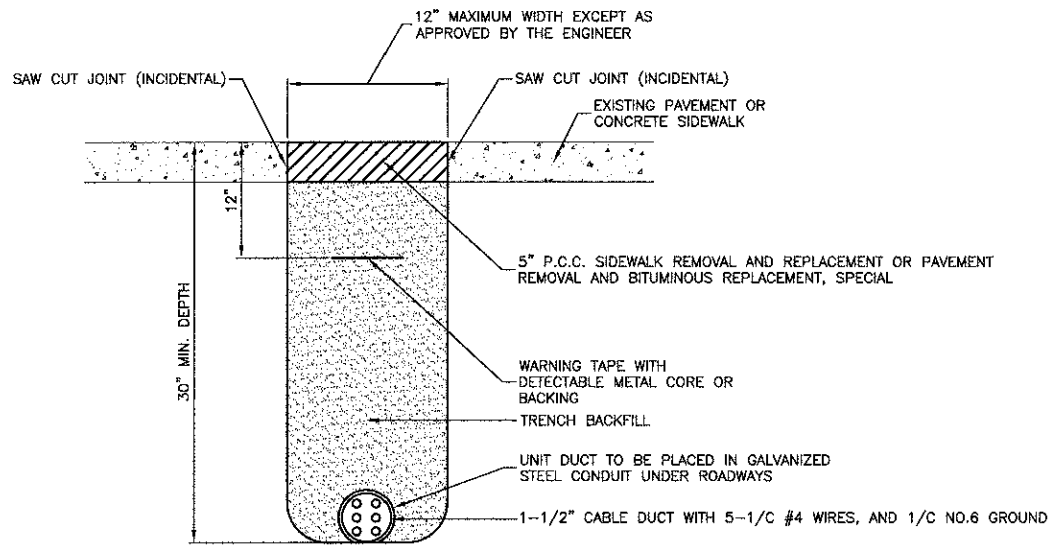
LIGHTING CONTROLLER INSTALLATION

- NOTE:
1. ORIENT CABINET SO DOOR OPENS AWAY FROM TRAFFIC.
 2. METER FITTING TO BE LOCATED ON THE SIDE OF THE CABINET CLOSEST TO SERVICE POLE.

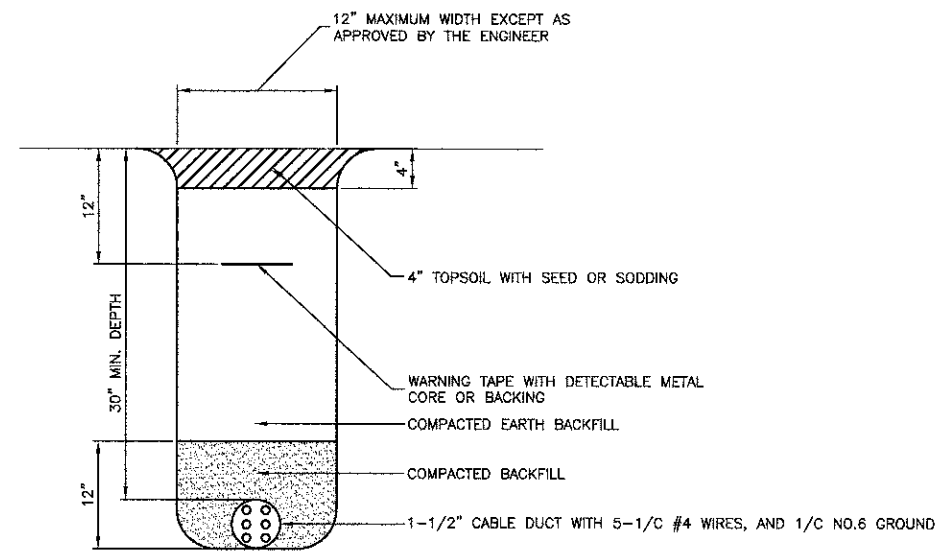


SERVICE CONNECTION FOR ALL CONTROLLERS

- NOTES:
1. SERVICE VOLTAGE SHALL BE AS INDICATED ELSEWHERE IN THE DRAWINGS.
 2. UNLESS OTHERWISE INDICATED, ITEMS AND WORK SHALL BE INCLUDED AND PAID AS PART OF ELECTRIC UTILITY SERVICE INSTALLATION.
 3. CONDUIT AND CONNECTOR DIAMETER SHALL MATCH THE DIAMETER OF THE SERVICE CONDUCTOR RACEWAY AS INDICATED.
 4. PVC COATED RACEWAYS AND ACCESSORIES SHALL BE CAREFULLY INSTALLED WITH RECOMMENDED TOOLS AND PROCEDURES TO AVOID DAMAGE. ANY DAMAGE SHALL BE REPAIRED WITH COMPATIBLE PVC TOUCH-UP MATERIAL TO THE SATISFACTION OF THE ENGINEER OR THE DAMAGED MATERIAL SHALL BE REPLACED AT NO ADDITIONAL COST.
 5. THE CONTRACTOR SHALL OBTAIN INSPECTION AND APPROVAL BY THE ENGINEER OF SERVICE RISER GROUND ELECTRODE, RISER ELBOW, NIPPLE AND CONNECTION TO SERVICE CONDUCTOR RACEWAY EXTENSION BEFORE BACKFILL AND SHALL ALSO OBTAIN INSPECTION OF SERVICE RISER AND SEALING BUSHINGS BEFORE UTILITY 1" GUARD INSTALLATION AND SERVICE CONNECTION.
 6. THE SERVICE METER SOCKET, AS APPLICABLE, MOUNTED ELSEWHERE AS INCLUDED SHALL BE INCLUDED AND PAID AS PART OF THE ELECTRICAL UTILITY SERVICE INSTALLATION PAY ITEM.
 7. THE SERVICE CONDUCTOR RACEWAY SHALL BE AS INDICATED AND SHALL BE MEASURED SEPARATELY FOR PAYMENT. WHEN THE RACEWAY IS PVC COATED RIGID GALVANIZED STEEL, THE COUPLING SHALL BE THE SAME. WHEN THE RACEWAY IS PVC CONDUIT (ON CONCRETE), THE COUPLING SHALL BE A METALLIC TO NON-METALLIC ADAPTER. WHEN THE RACEWAY IS ENCASED IN CONCRETE, THE CONCRETE SHALL EXTEND TO COVER THE COUPLING.
 8. PLANS AND DETAILS INDICATE THE GENERAL NATURE AND REQUIREMENTS. THEY DO NOT SHOW EVERY ACCESSORY AND ATTACHMENT, AND THEY DO NOT RELIEVE THE CONTRACTOR OF THE REQUIREMENTS OF THE SPECIFICATIONS AND SPECIAL PROVISION TO ASCERTAIN UTILITY REQUIREMENTS AND TO COORDINATE ACCORDINGLY, FURNISHING ALL ITEMS AND WORK NOT PROVIDED BY THE UTILITY, BUT NECESSARY FOR A COMPLETE SERVICE INSTALLATION.



HOT-MIX ASPHALT PAVEMENT OR CONCRETE SIDEWALK REMOVAL AND REPLACEMENT



TRENCH DETAIL