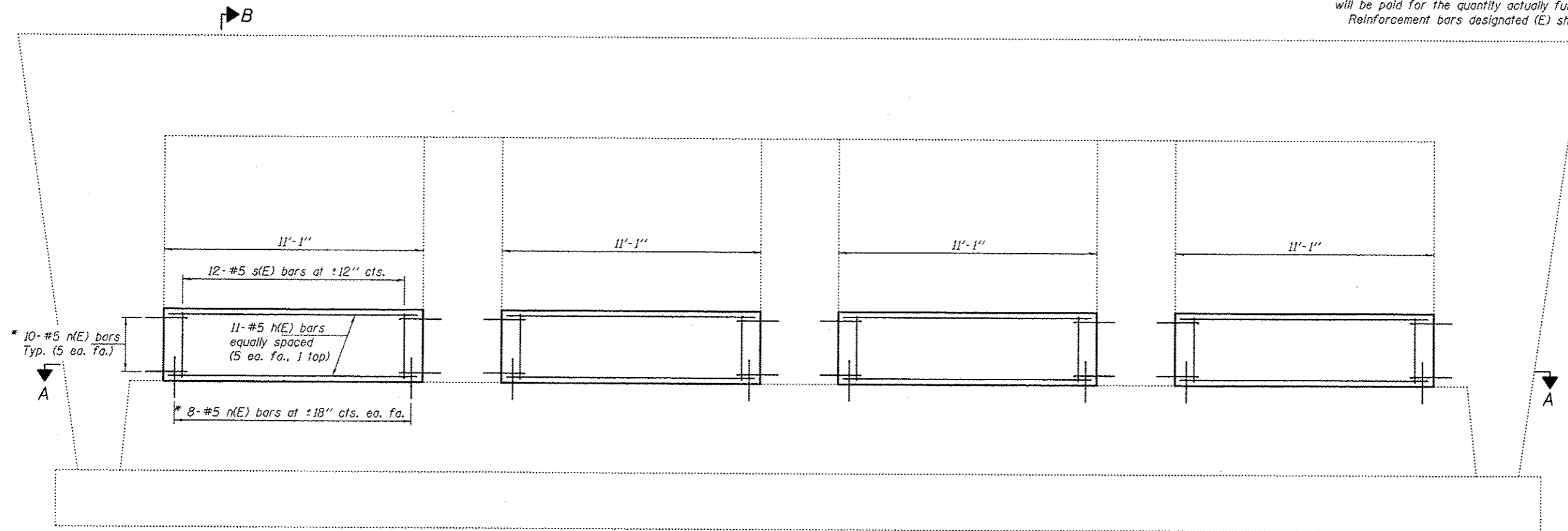
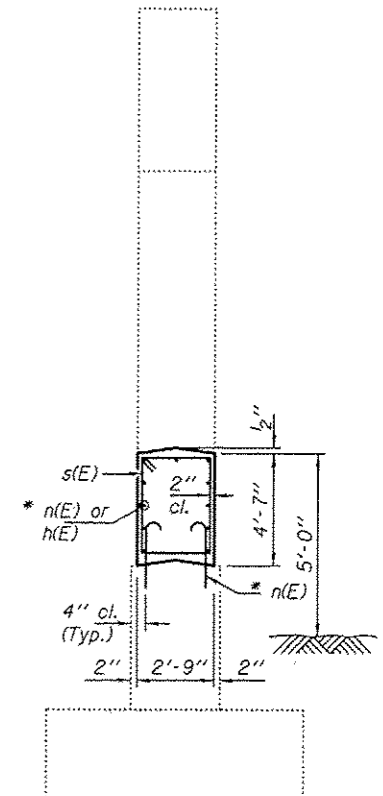


NOTES

The cost of epoxy grouting threaded rods shall be included with Reinforcement Bars, Epoxy Coated.
 Plan dimensions and details relative to existing plans are subject to nominal construction variations. The Contractor shall field verify existing dimensions and details affecting new construction and make necessary approved adjustments prior to construction or ordering of materials. Such variations shall not be cause for additional compensation for a change in scope of the work, however, the Contractor will be paid for the quantity actually furnished at the unit price bid for the work.
 Reinforcement bars designated (E) shall be epoxy coated.

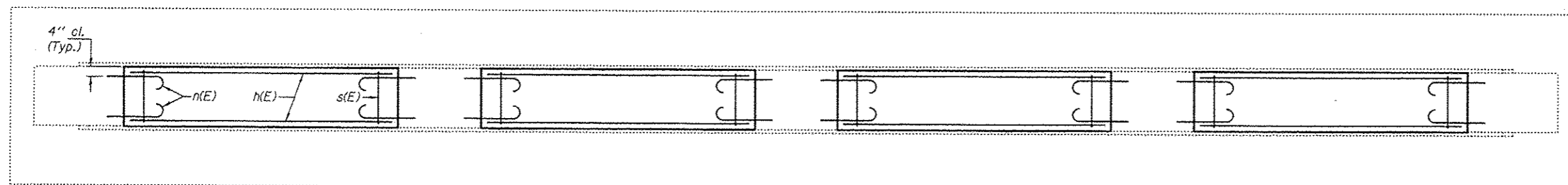


ELEVATION

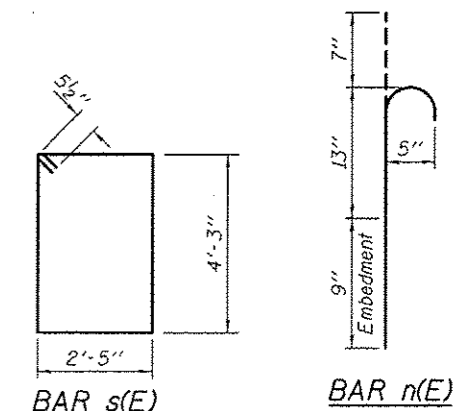


SECTION B-B

* Epoxy grout n(E) bars in 9" min. holes according to Article 584 of the Standard Specifications.



SECTION A-A



BILL OF MATERIAL

Bar	No.	Size	Length	Shape
n(E)	44	#5	10'-9"	—
n(E)	144	#5	2'-5"	—
s(E)	48	#5	14'-3"	□
Concrete Structures			Cu. Yd.	20.7
Reinforcement Bars, Epoxy Coated			Pound	1570



DESIGNED *DAB*
 CHECKED *ARS*
 DRAWN *baliva*
 CHECKED *DAB ARS*

EXAMINED *Timothy A. Dill*
 PASSED *David Carl Puzey*
 ACTING ENGINEER OF BRIDGES AND STRUCTURES

DATE - JUNE 5, 2012
 REVISED *09/11/2012*
 REVISED

STATE OF ILLINOIS
 DEPARTMENT OF TRANSPORTATION

PIER CRASHWALL EXTENSION
 052-0055

SHEET NO. OF SHEETS

F.A.I. RTE.	SECTION	COUNTY	TOTAL SHEETS	SHEET NO.
412	D2 SAFETY 2012-1	LEE	175	56
				CONTRACT NO. 64H76
ILLINOIS FED. AID PROJECT				