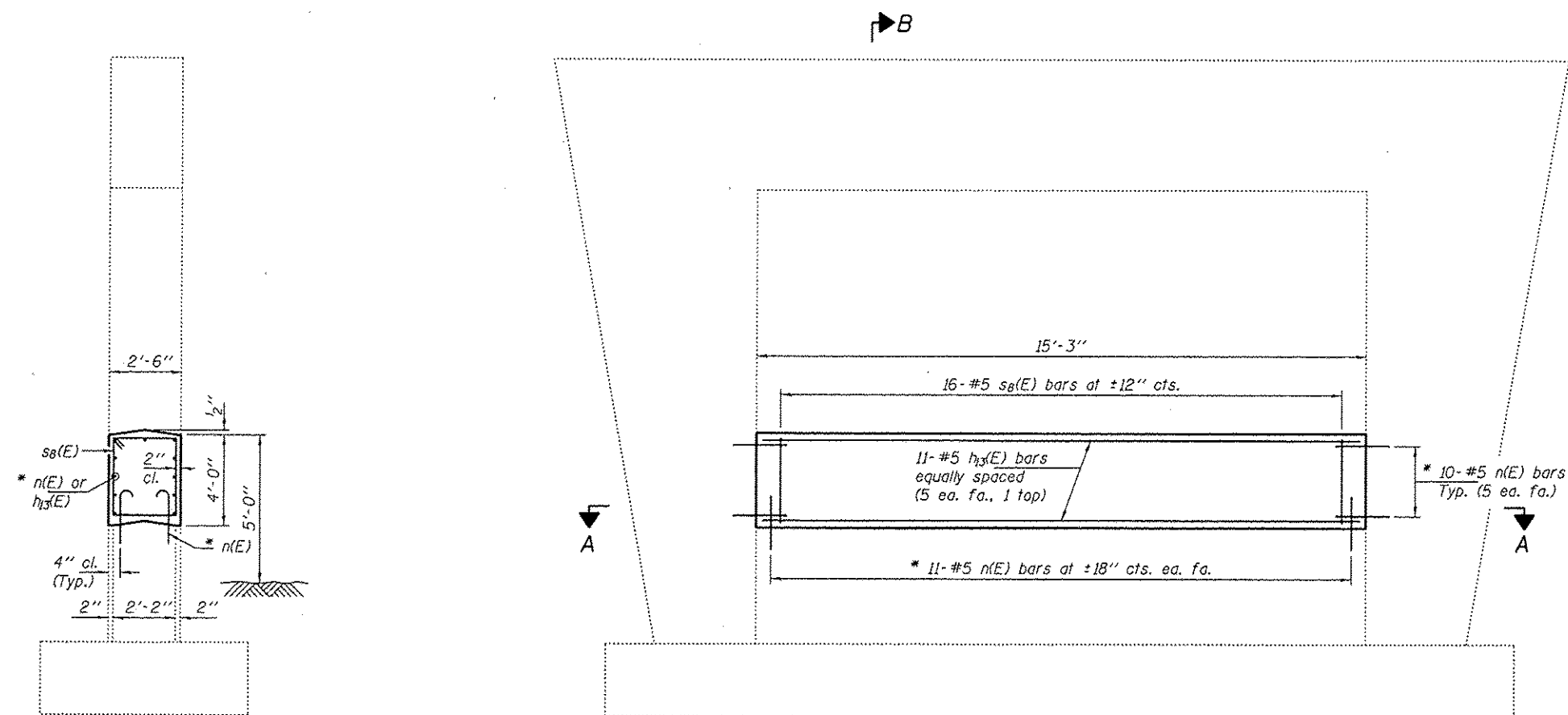


**NOTES**

The cost of epoxy grouting threaded rods shall be included with Reinforcement Bars, Epoxy Coated.  
 Plan dimensions and details relative to existing plans are subject to nominal construction variations. The Contractor shall field verify existing dimensions and details affecting new construction and make necessary approved adjustments prior to construction or ordering of materials. Such variations shall not be cause for additional compensation for a change in scope of the work, however, the Contractor will be paid for the quantity actually furnished at the unit price bid for the work. Reinforcement bars designated (E) shall be epoxy coated.

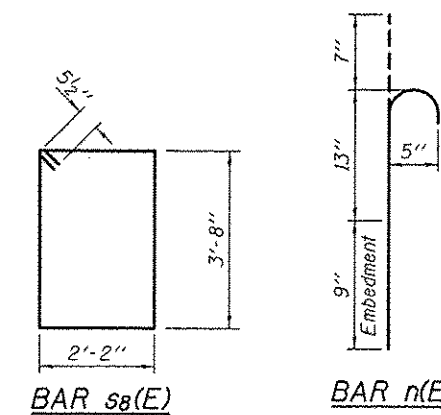


**SECTION B-B**

\* Epoxy grout n(E) bars in 9" min. holes according to Article 584 of the Standard Specifications.

**ELEVATION**

**SECTION A-A**

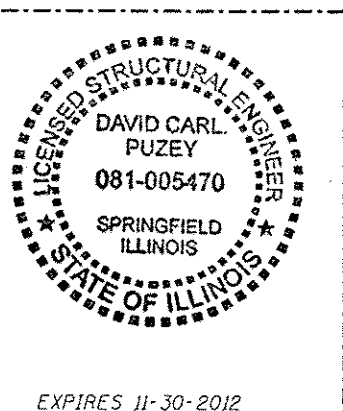


**BAR s8(E)**

**BAR n(E)**

**BILL OF MATERIAL**

Bar	No.	Size	Length	Shape
h3(E)	11	#5	14'-11"	—
n(E)	42	#5	2'-5"	U
s8(E)	16	#5	12'-7"	□
Concrete Structures			Cu. Yd.	5.7
Reinforcement Bars, Epoxy Coated			Pound	490



DESIGNED <i>DAB</i>	EXAMINED <i>Timothy A. Allen</i>	DATE - JUNE 5, 2012
CHECKED <i>ARS</i>	ACTING ENGINEER OF STRUCTURAL SERVICES	
DRAWN <i>baliva</i>	PASSED <i>David Carl Puze</i>	REVISED <i>Δ</i> 09/11/2012
CHECKED <i>DAB ARS</i>	ACTING ENGINEER OF BRIDGES AND STRUCTURES	REVISED

**STATE OF ILLINOIS  
 DEPARTMENT OF TRANSPORTATION**

**PIER CRASHWALL EXTENSION  
 071-0056**

F.A.I. RTE.	SECTION	COUNTY	TOTAL SHEETS	SHEET NO.
412	D2 SAFETY 2012-1	OGLE	175	64
			CONTRACT NO. 64H76	
(ILLINOIS) FED. AID PROJECT				

SHEET NO. OF SHEETS