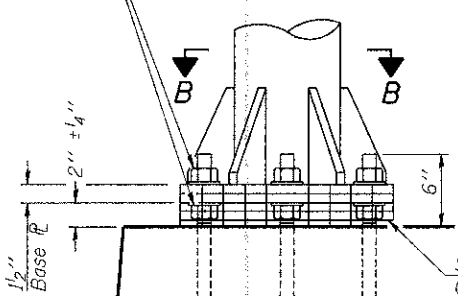
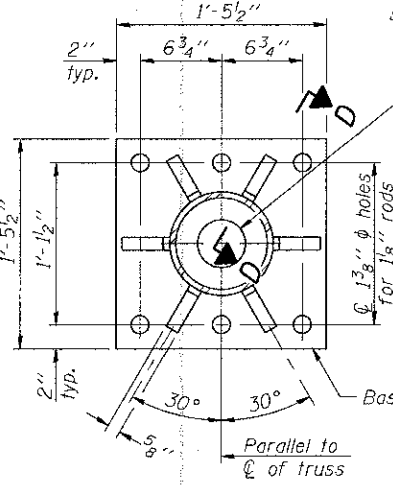


Hexagon locknut and washer (top), leveling nut and washer (bottom). Galvanize per AASHTO M232. Nuts shall each be tightened against base plate with 200 lb.-ft. minimum torque.

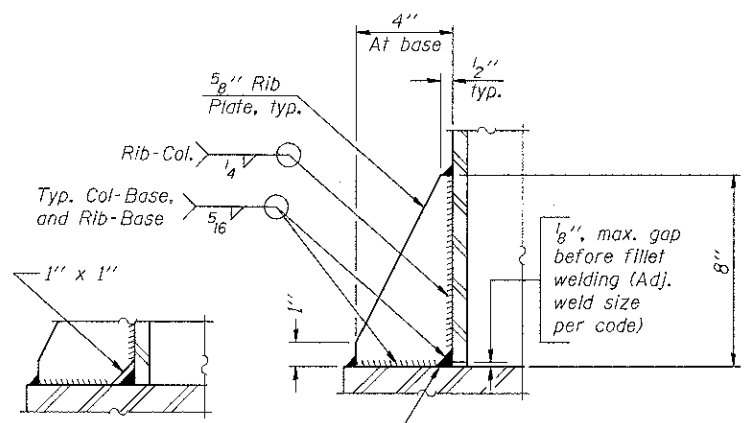


DETAIL B

Ribs shall be cut to fit slope of pipe. Stainless Steel Standard Grade Wire Cloth, 3" wide, 1/4" maximum opening with a minimum wire diameter of AWG. No. 16 with a minimum 2" lap. Secure to base plate after erection with 3/4" stainless steel banding.



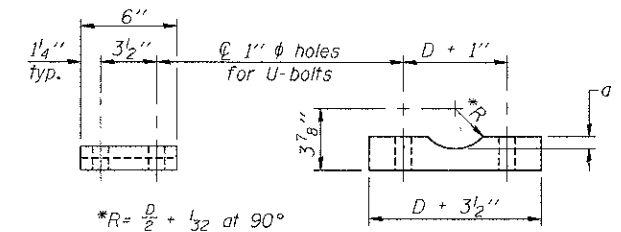
SECTION B-B



SECTION D-D

** Alternate detail if welding col. to base plate first, then snip inside corner of ribs. Terminate weld on rib 1/4" from snip.

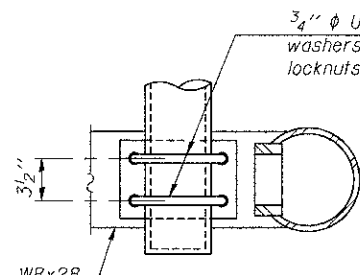
No snip req'd. at rib inside corner if placed before col. to base plate welding.**



SADDLE SHIM DETAIL

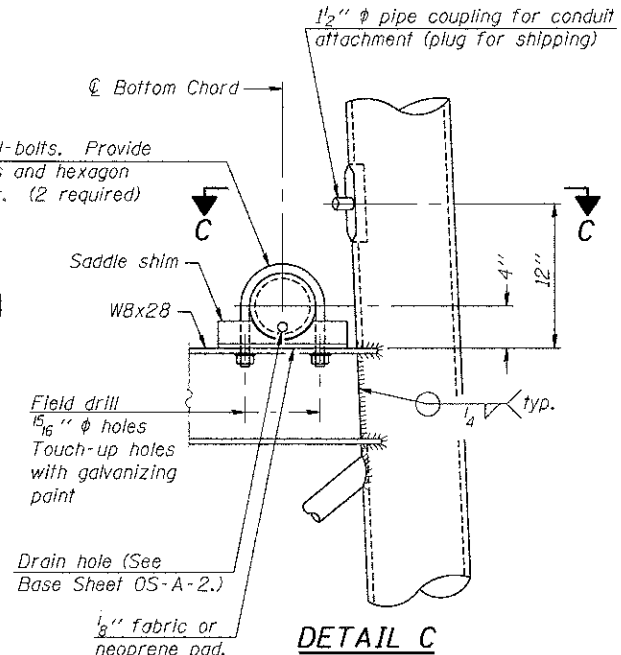
ASTM B26 Alloy 356-F or ASTM B209 Alloy 6061-T651 (4 required per sign truss)

Truss Chord Nominal Dia.	a
5"	3/4"
5 1/2"	13/16"
6"	7/8"
6 1/2"	15/16"

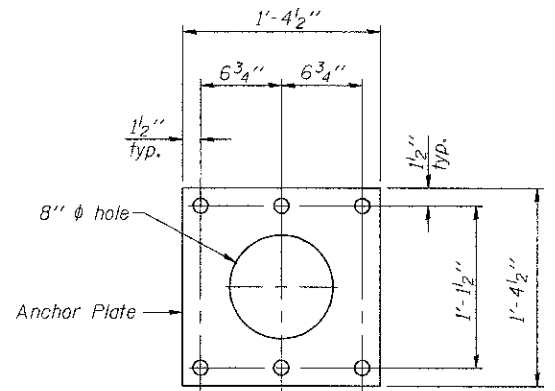


SECTION C-C

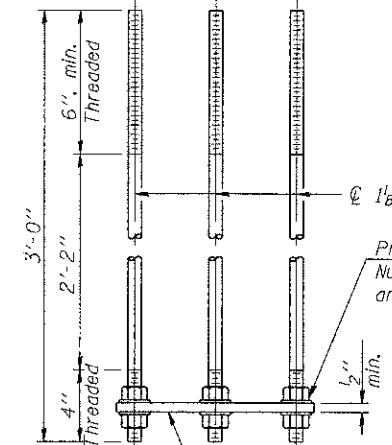
(Handhole cover not shown)



DETAIL C



Anchor Plate



ANCHOR ROD DETAIL
Spread Footing Foundation

Provide 2 uncoated nuts per rod. Nuts shall be "snug tight" against anchor plate.

All Thread = NC (National Coarse)

Anchor rods shall conform to ASTM F1554 Grade 105. Galvanize upper 12" minimum per AASHTO M232. No welding shall be permitted on rods.

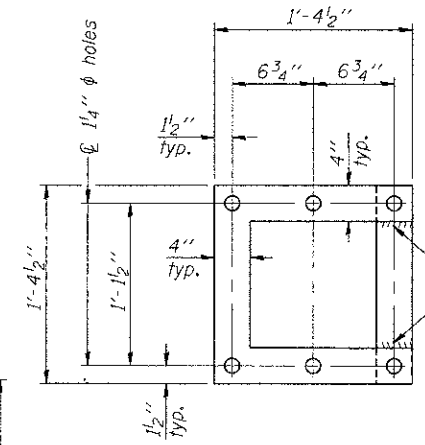
At each location, provide 1/4" thick positioning plate(s) and six (6) additional nuts to be used with leveling nuts to maintain anchor bolts position during concrete placement.

1/4" plate and extra nuts become Contractor's property. Cost included in Drilled Shaft Concrete Foundations.

All Thread = NC (National Coarse)

Provide 1 nut per rod. Deform thread or use chemical thread lock to secure.

ANCHOR ROD DETAIL
Drilled Shaft Foundation



POSITIONING PLATE(S)

TYPE I-A TRUSS
8" φ PIPE SUPPORT FRAME DETAILS

OS-A-4A 6-1-12
 FILE NAME: OS-A-4A 6-1-12
 USER NAME: #USER#
 DESIGNED: MDJ
 DRAWN: MDJ
 CHECKED: JLR
 DATE: 06/29/12
 TENG & ASSOCIATES, INC.
 ENGINEERS/ARCHITECTS/PLANNERS
 CHICAGO, ILLINOIS

OS-A-4A

6-1-12

STATE OF ILLINOIS
DEPARTMENT OF TRANSPORTATION
I-TO CONNECTION

OVERHEAD SIGN STRUCTURES
SUPPORT FRAME DETAILS - ALUMINUM TRUSS

F.A.P. RTE.	SECTION	COUNTY	TOTAL SHEETS	SHEET NO.
998	82-1R	ST. CLAIR	294	185
CONTRACT NO. 76C43				
FED. ROAD DIST. NO. ILLINOIS FED. AID PROJECT				

SCALE: SHEET NO. 6 OF 14 SHEETS STA. TO STA.