

SPECIFICATIONS FOR STANDARD ALUMINUM GRATING

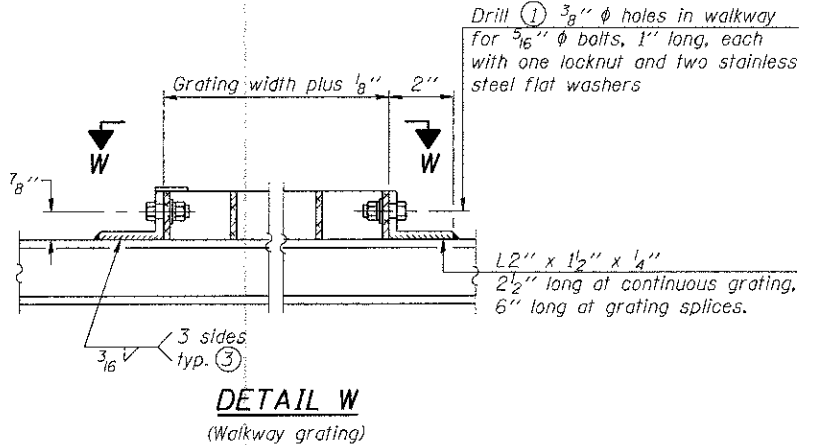
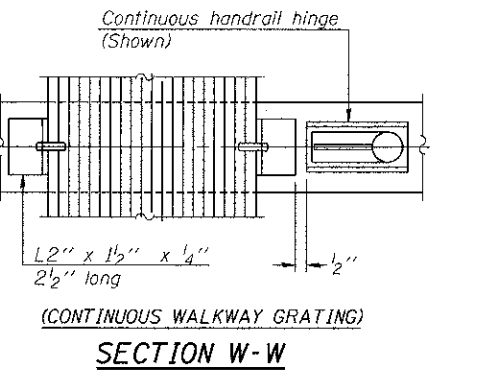
Main Bearing Bars shall be 3/16" x 1/2" on 1 3/16" centers and conform to ASTM B221 Alloy 6061-T6.

Cross bars shall be 3/16" x 1/2" on 4" centers and conform to ASTM B221 Alloy 6063-T5 or 6061-T6.

OR

Aluminum Grating with modified "H" sections for main bearing bars shall meet the following requirements:
Main bars shall conform to ASTM B221 Alloy 6061-T6 and have a minimum section modulus equal to 0.0705 in.³ per bar, a depth of 1 1/2", spaced on 1 3/16" centers.
Cross bars shall conform to ASTM B221 Alloy 6063-T5 or T-42 and spaced on 4" centers.

- ① Drilling holes in grating may be done in shop or field, based on Contractor's preference and subject to accurate alignment.
- ② Stainless steel shims shall be placed as shown in Detail T if needed to compensate for alignment variations between horizontal and diagonal pipes beyond adjustment provided by angles. Thicker shims may be used subject to shims performing properly.
- ③ If Handrail Joint present, weld angle to WF(A-N)4 and 1/4" extension bars. (See Base Sheet OS-A-II.)
- ④ 1/8" x 1/2" x 2" welded to handrail posts to protect locations that contact grating.
- ⑤ Tube to grating gap may vary from 0 to 1/2", max. to align walkway, allow for camber, etc.
- ⑥ Based on actual height of tallest sign given on OS-A-1.



Structure Number	Station	A	⑥ B	C	⑥ D
BS0821070R001.5 - EB	147+60	7 1/2"	1'-9"	7'-0"	9'-3"
BS0821070R001.5 - WB	147+60	7 1/2"	7'-0"	7'-0"	9'-3"
BS0821070R002.2	188+00	5 1/2"	7'-3"	4'-6"	12'-3"

OS-A-10

6-1-12

FILE NAME =
#FILE#
TENG & ASSOCIATES, INC.
ENGINEERS/ARCHITECTS/PLANNERS
CHICAGO, ILLINOIS

USER NAME = #USER#
DESIGNED - MDJ
DRAWN - MDJ
CHECKED - JLR
PLOT SCALE = #SCALE#
PLOT DATE = #DATE#

REVISÉ -
REVISÉ -
REVISÉ -
REVISÉ -
DATE - 06/29/12
REVISÉ -

STATE OF ILLINOIS
DEPARTMENT OF TRANSPORTATION
I-70 CONNECTION

OVERHEAD SIGN STRUCTURES
ALUMINUM WALKWAY DETAILS

SCALE: SHEET NO. 10 OF 14 SHEETS STA. TO STA.

F.A.P. RTE.	SECTION	COUNTY	TOTAL SHEETS	SHEET NO.
998	B2-1R	ST. CLAIR	294	189
CONTRACT NO. 76C43				
FED. ROAD DIST. NO. ILLINOIS FED. AID PROJECT				