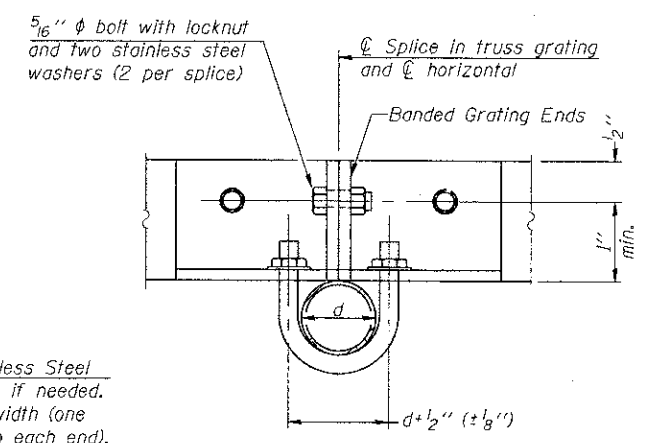
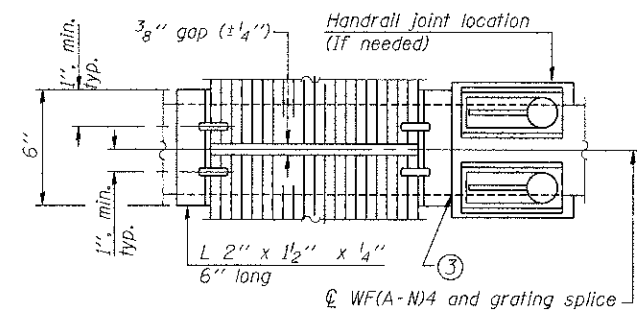
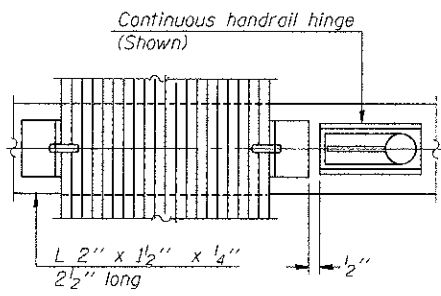


SPECIFICATIONS FOR STANDARD ALUMINUM GRATING
 Main Bearing Bars (MBB) shall be 3/16" x 1/2" on 1 3/16" centers and conform to ASTM B211 Alloy 6061-T6.
 Cross bars (CB) shall be 3/16" x 1/2" on 4" centers and conform to ASTM B221 Alloy 6063-T5 or 6061-T6.

OR
 Aluminum Grating with modified "T" sections for main bearing bars shall meet the following requirements:
 Main bars shall conform to ASTM B221 Alloy 6061-T6 and have a minimum section modulus equal to 0.0705 in.³ per bar, a depth of 1/2", spaced on 1 3/16" centers.
 Cross bars shall conform to ASTM B221 Alloy 6063-T5 or T-42 and spaced on 4" centers.

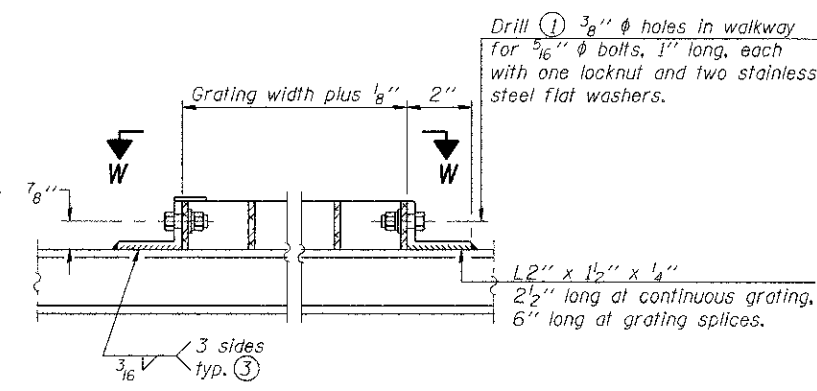


(CONTINUOUS WALKWAY GRATING)

SECTION W-W

(AT WALKWAY GRATING SPLICE)

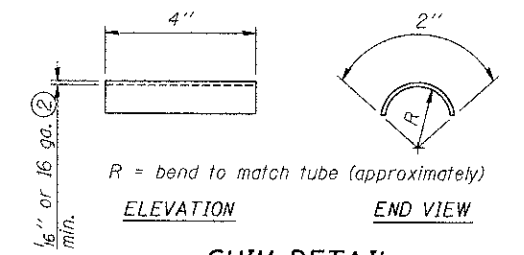
SECTION T'-T'



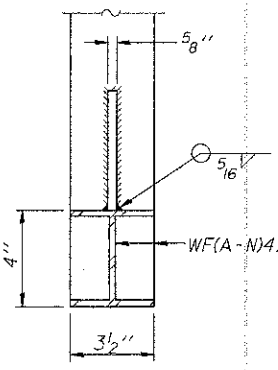
DETAIL W
(Walkway grating)

DETAIL T'

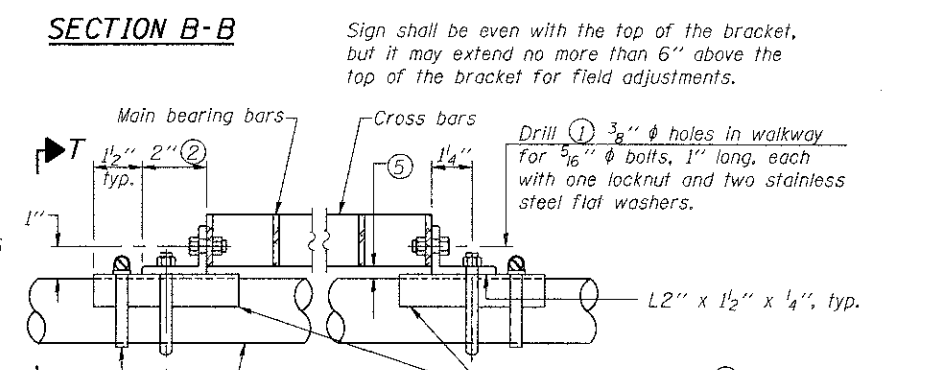
(Truss grating splice)
 Details not shown same as Detail T.
 Alternate materials may be used subject to the Engineer's review and approval.



SHIM DETAIL

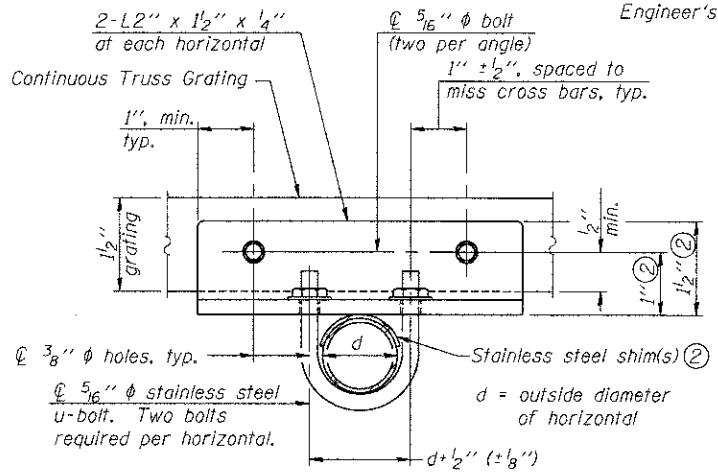


SECTION D-D

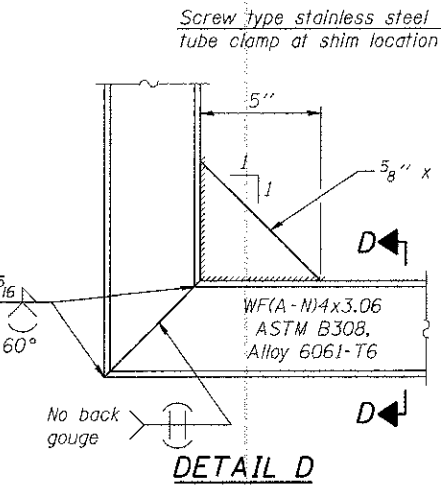


SECTION B-B

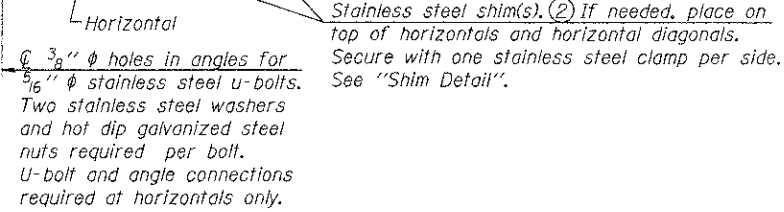
Sign shall be even with the top of the bracket, but it may extend no more than 6" above the top of the bracket for field adjustments.



SECTION T-T



DETAIL D



DETAIL T
(Continuous Truss grating)

Structure Number	Station	A	⑥ B	C	⑥ D
8C0821070R001.1	130+03	7"	4'-9"	5'-6"	10'-9"
8C0821070R001.7	158+00	7"	3'-9"	5'-6"	9'-9"
8C0821070R002.7	71+30.79	7"	4'-9"	5'-6"	10'-9"
8C0821070L002.7	72+90	7"	6'-3"	5'-6"	12'-3"

- ① Drilling holes in grating may be done in shop or field, based on Contractor's preference and subject to accurate alignment.
- ② Stainless steel shims shall be placed as shown in Detail T if needed to compensate for alignment variations between horizontal and diagonal pipes beyond adjustment provided by angles. Thicker shims may be used subject to shims performing properly.
- ③ If Handrail Joint present, weld angle to WF(A-N)4 and 1/4" extension bars. (See Base Sheet OSC-A-8.)
- ④ 1/2" x 1/2" x 2" welded to handrail posts to protect locations that contact grating.
- ⑤ Tube to grating gap may vary from 0 to 1/2", max. to align walkway, allow for camber, etc.
- ⑥ Based on actual sign height. D_s, given on OSC-A-1.

OSC-A-7 6-1-12