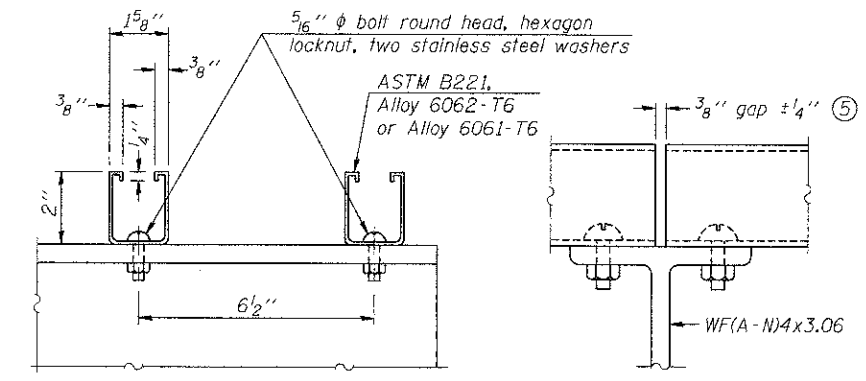
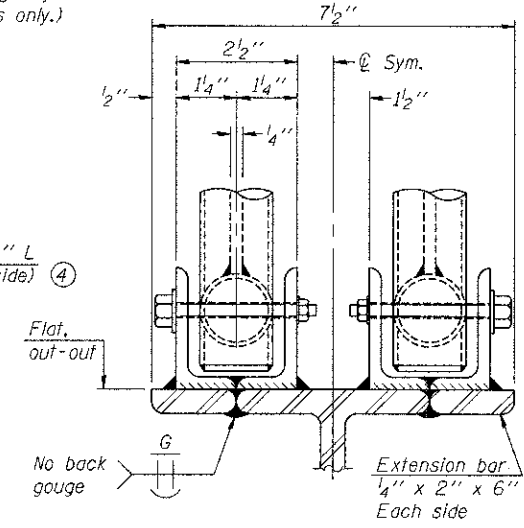
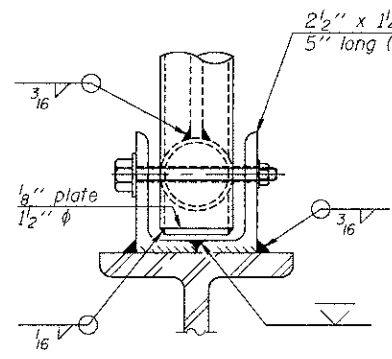
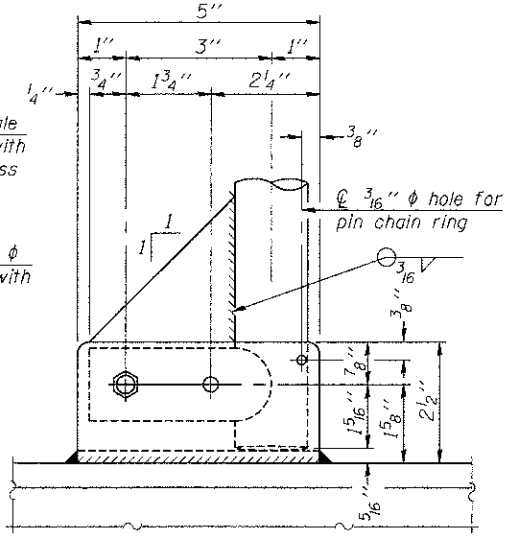
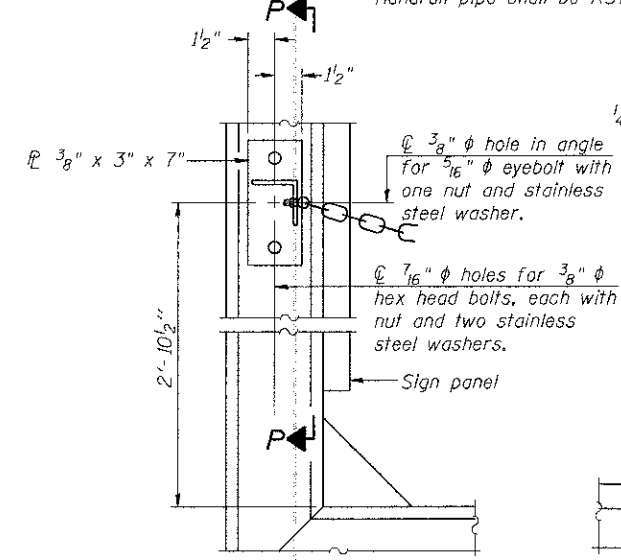


HANDRAIL DETAILS

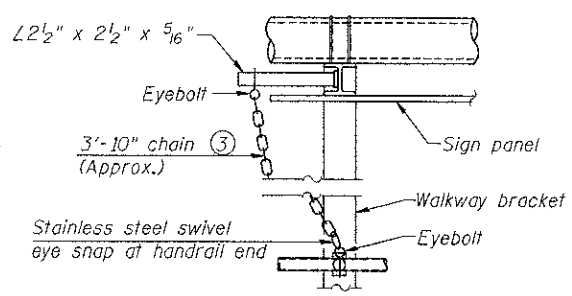
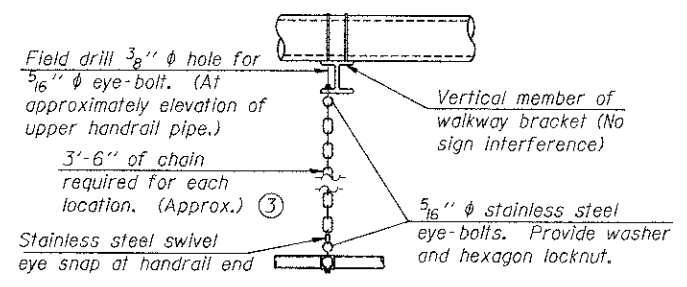
Handrail pipe shall be ASTM B241 or B429, Alloy 6063-T6 or Alloy 6061-T6.

② Horizontal handrail member shall be continuous thru fitting. Provide 1/16" φ hole in fitting for 3/8" φ bolt. Field drill 1/16" φ hole in horizontal rail member. Provide locknut and two stainless steel washers for bolt. (Use 5/16" eyebolts in 1/16" φ holes on top rail at ends only.)



LIGHTING FIXTURE MOUNTS (IF REQUIRED)

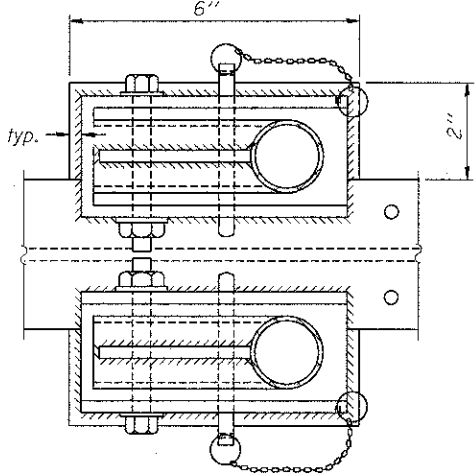
⑤ Field cut ends of light support channels shall be free of burrs or hazardous projections and coated with zinc-rich primer or equivalent.



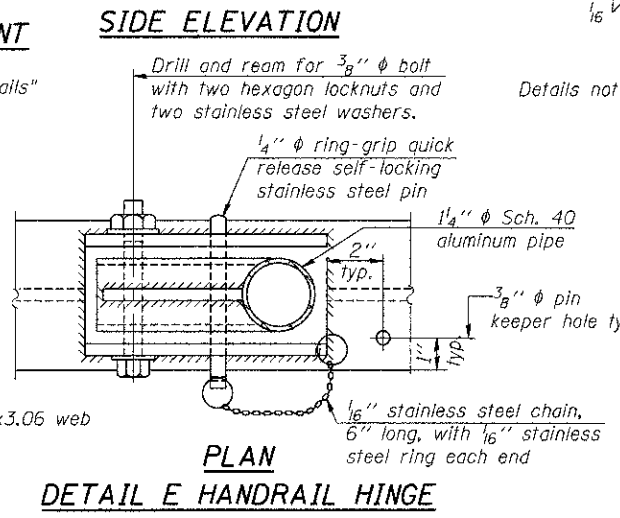
③ 3/16" Type 304L stainless steel chain, approximately 12 links per foot.

④ Extrusions may be used in lieu of the details shown, with approval of the Engineer.

FRONT ELEVATION

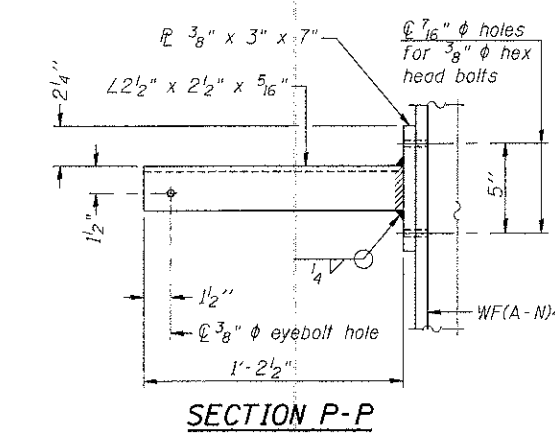


PLAN AT HANDRAIL JOINT
Details not shown same as "PLAN"



ALTERNATE SAFETY CHAIN ATTACHMENT

Items not shown same as "Side Elevation" of "Handrail Details"



OSC-A-8

6-1-12

FILE NAME =
USER NAME = #USER#
DESIGNED - MDJ
DRAWN - MDJ
CHECKED - JLR
DATE - 06/29/12

TENG & ASSOCIATES, INC.
ENGINEERS/ARCHITECTS/PLANNERS
CHICAGO, ILLINOIS

PLDT SCALE = #SCALE#
PLDT DATE = #DATE#

DESIGNED - MDJ
DRAWN - MDJ
CHECKED - JLR
DATE - 06/29/12

STATE OF ILLINOIS
DEPARTMENT OF TRANSPORTATION
1-70 CONNECTION

CANTILEVER SIGN STRUCTURES - HANDRAIL DETAILS
ALUMINUM TRUSS & STEEL POST

SCALE: SHEET NO. 8 OF 9 SHEETS STA. TO STA.

F.A.P. RTE. 998	SECTION 82-1R	COUNTY ST. CLAIR	TOTAL SHEETS 294	SHEET NO. 201
FED. ROAD DIST. NO. ILLINOIS FED. AID PROJECT			CONTRACT NO. 76C43	