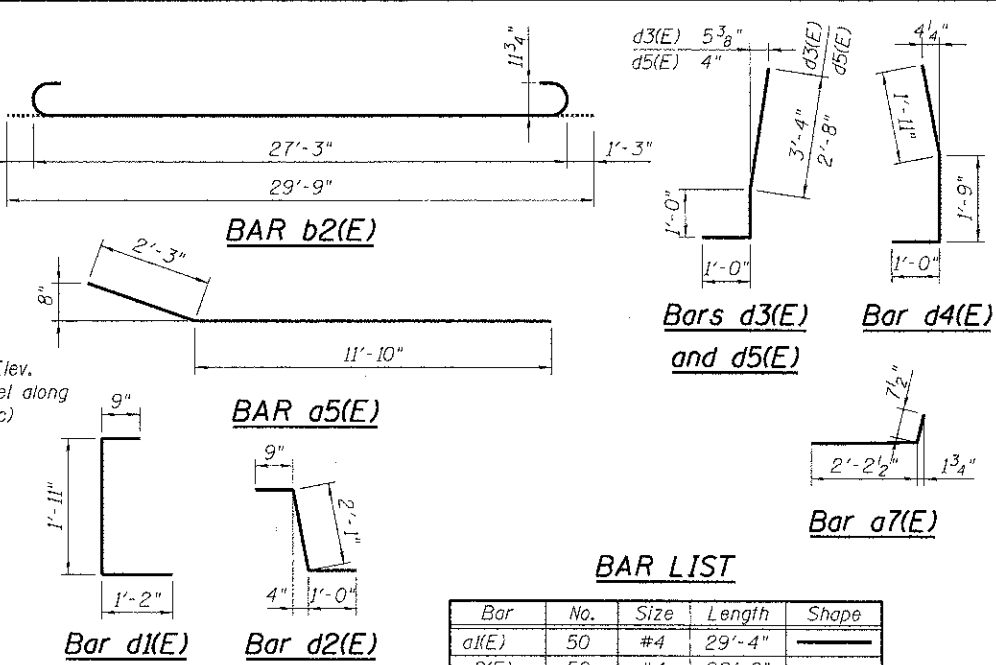
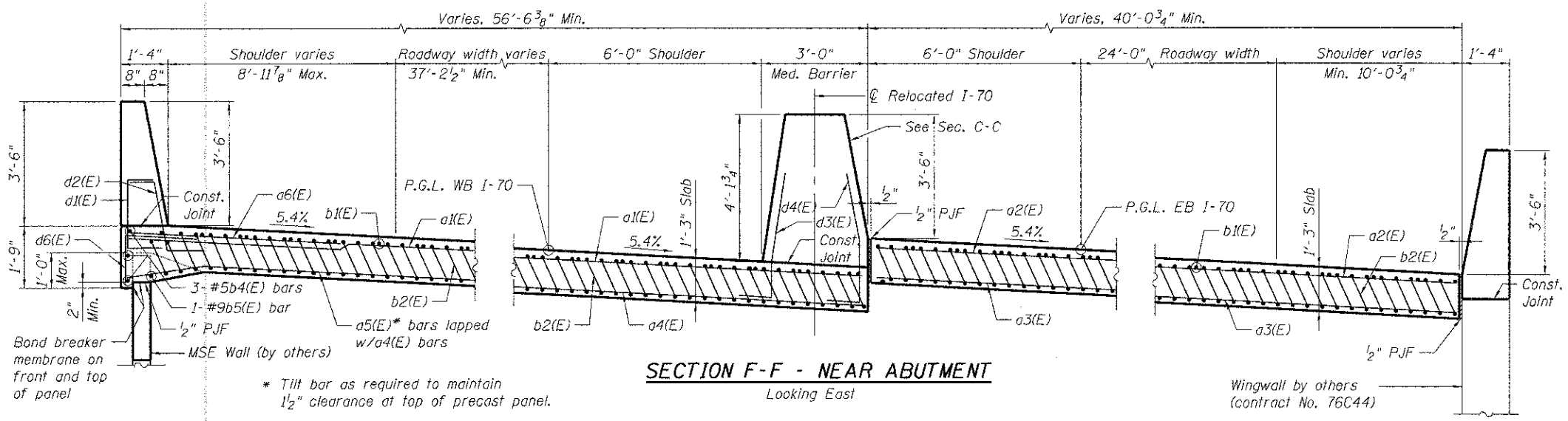


\* Tilt #9b2(E) bars as required to maintain clearance.  
 \*\* Reinforcement supplied by Contract No. 76C44.  
 \*\*\* Cost included with Concrete Superstructure.

**SECTION E-E**  
Looking North

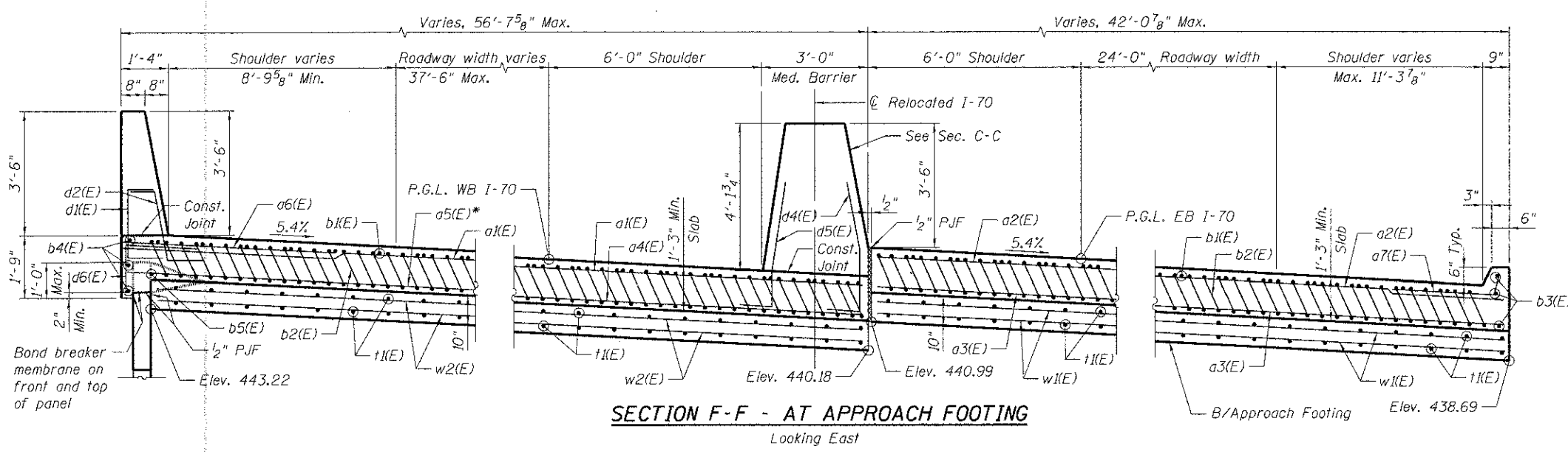


Bar	No.	Size	Length	Shape
a1(E)	50	#4	29'-4"	
a2(E)	50	#4	22'-0"	
a3(E)	92	#5	22'-3"	
a4(E)	46	#5	45'-0"	
a5(E)	46	#5	14'-1"	
a6(E)	24	#6	6'-6"	
a7(E)	7	#4	2'-10"	
b1(E)	80	#4	29'-7"	
b2(E)	233	#9	29'-9"	
b3(E)	3	#4	6'-8"	
b4(E)	3	#5	3'-1"	
b5(E)	1	#9	29'-8"	
d1(E)	37	#5	3'-10"	
d2(E)	37	#5	3'-10"	
d3(E)	13	#5	5'-4"	
d4(E)	34	#5	4'-8"	
d5(E)	21	#5	4'-8"	
d6(E)	37	#5	3'-6"	
d7(E)	2	#5	3'-8"	
t1(E)	200	#4	9'-8"	
w1(E)	80	#5	22'-4"	
w2(E)	80	#5	29'-3"	



\* Tilt bar as required to maintain 1/2" clearance at top of precast panel.

**SECTION F-F - NEAR ABUTMENT**  
Looking East



**SECTION F-F - AT APPROACH FOOTING**  
Looking East

- NOTES:**
1. Approach slab and barrier concrete shall be paid for as Concrete Superstructure.
  2. Approach footing concrete shall be paid for as Concrete Structures.
  3. Reinforcement shall be paid for as Reinforcement Bars, Epoxy Coated.
  4. Bar splicers and v(E) bars supplied by others (contract 76C44)
  5. The approach footing maximum applied service bearing pressure (Qmax) = 2.0 ksf.
  6. Cost of excavation for approach footing included with Concrete Structures.
  7. For section E-E and F-F locations, see Sht. S-1.

**BILL OF MATERIAL**

Item	Unit	Total
Concrete Structures	Cu. Yd.	30.2
Concrete Superstructure	Cu. Yd.	143.0
Reinforcement Bars, Epoxy Coated	Pound	38,670
Bridge Deck Grooving	Sq. Yd.	295
Protective Coat	Sq. Yd.	309

FILE NAME = USER NAME = #USER# DESIGNED - KK REVISIONS -  
 #FILES# DRAWN - KK REVISIONS -  
 PLOT SCALE = #SCALE# CHECKED - TCU REVISIONS -  
 PLOT DATE = #DATE# DATE - 06/29/12 REVISIONS -



**STATE OF ILLINOIS**  
**DEPARTMENT OF TRANSPORTATION**  
 I-70 CONNECTION OVER  
 NS, TRRA, MCT AND INDUSTRIAL DR.

**BRIDGE APPROACH SLAB DETAILS**  
 2 OF 2  
 SCALE: SHEET NO. S-2 OF S-5 STA. 134+22.00 TO STA.

F.A.P. RTE.	SECTION	COUNTY	TOTAL SHEETS	SHEET NO.
998	B2-1R	ST. CLAIR	294	223

SN 082-0318 (EB) & 0319 (WB) CONTRACT NO. 76C43  
 FED. ROAD DIST. NO. ILLINOIS' FED. AID PROJECT