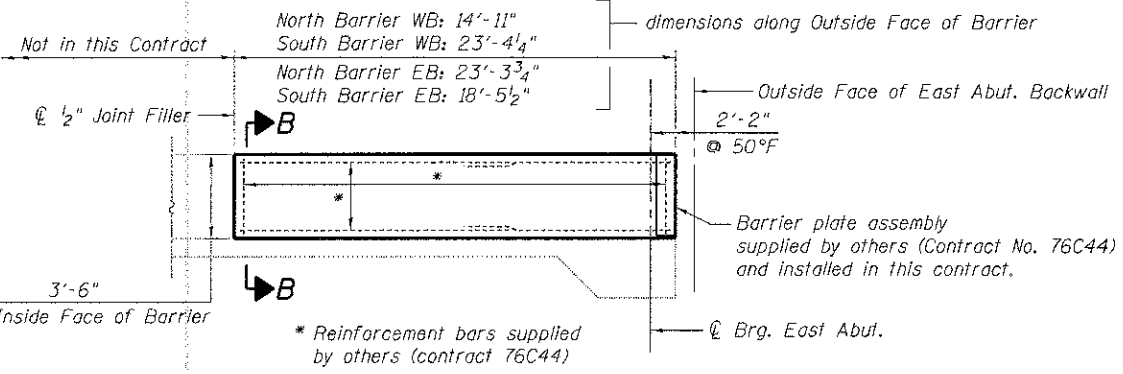
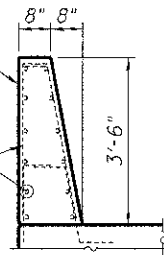


Barrier concrete included in this contract.
For Bill of Material, see Sht. S-5.

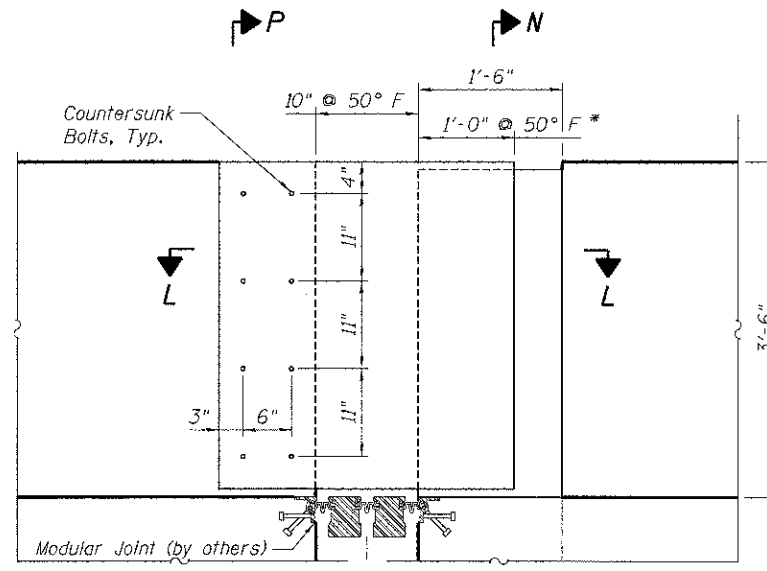
Reinforcement bars included
in Contract 76C44

SECTION B-B

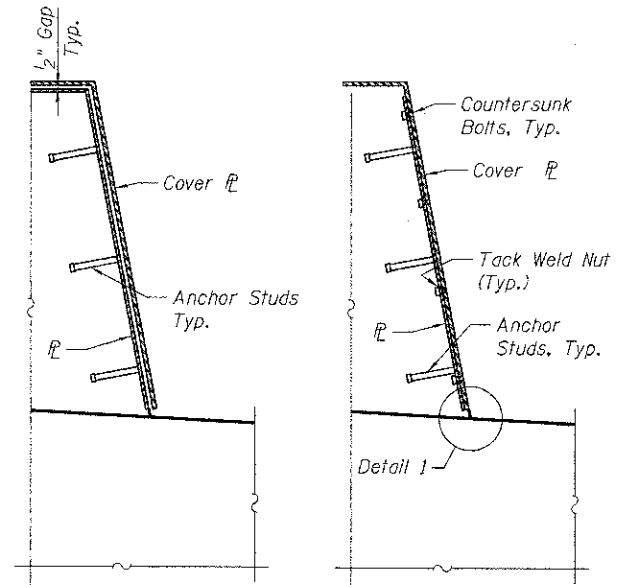


BARRIER ELEVATION

(Barrier at E. Abut., west of Exp. Joint - looking North)

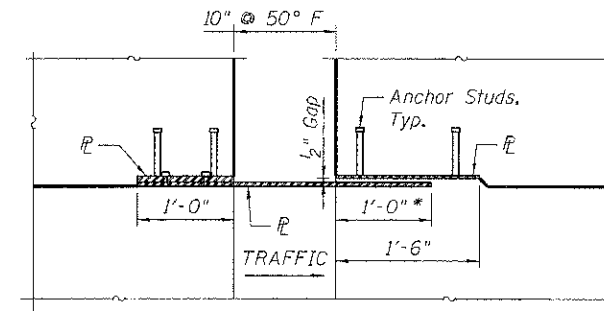


BARRIER PLATE ASSEMBLY DETAIL AT EAST ABUTMENT



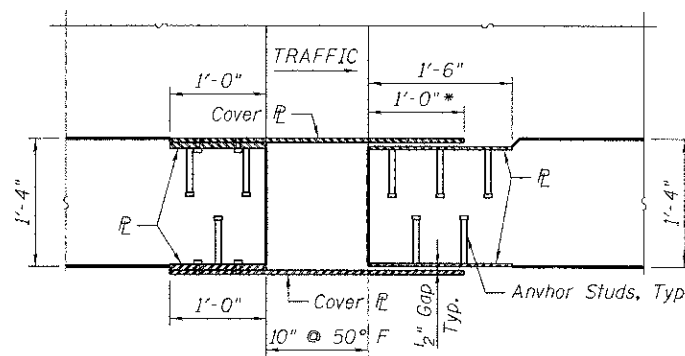
SECTION N-N
(Median Barriers)

SECTION P-P
(Median Barriers)

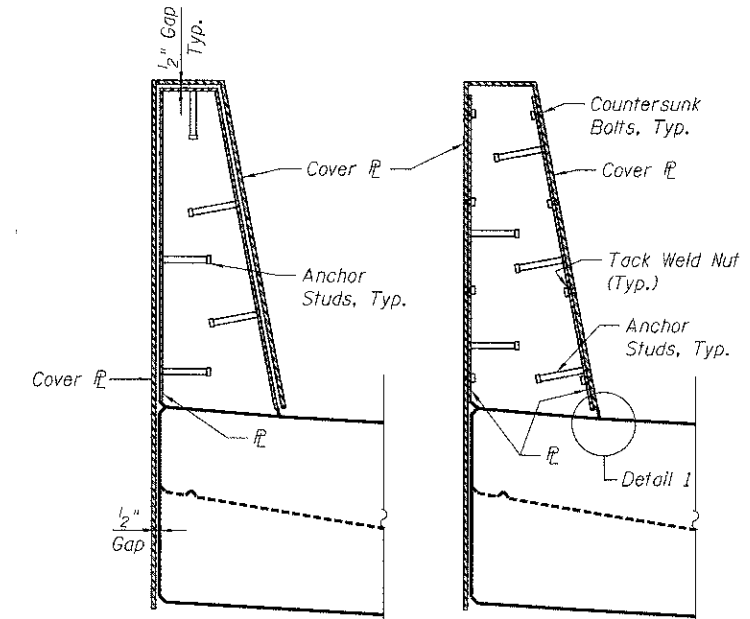


SECTION L-L
(Median Barriers)

* Dimensions for T = 50°F

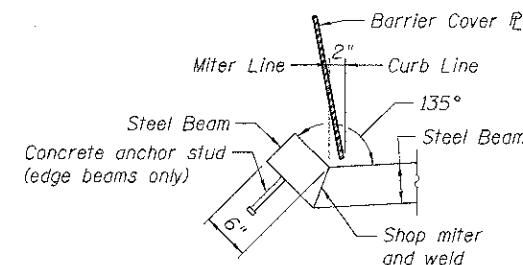


SECTION L'-L'
(Outside Barriers)



SECTION N'-N'
(Outside Barriers)

SECTION P'-P'
(Outside Barriers)



DETAIL 1

NOTES:

- Barrier plate assemblies shall be placed as shown for traffic direction, such that sliding plate is anchored on oncoming traffic side of joint.
- Plug end of nut to maintain void for bolt placement.
- Countersunk bolts shall be in accordance with ASTM A307, Grade A.
- Payment for installing the barrier plate assemblies shall be included in cost of Concrete Superstructure.

1.082918-CON-05-001-05-00N... 1.082918-CON-05-001-05-00N... 1.082918-CON-05-001-05-00N...
 FILE NAME = USER NAME = #USER# DESIGNED - KK REVISIONS -
 #FILE# DRAWN - FD REVISIONS -
 PLOT SCALE = #SCALE# CHECKED - JLR REVISIONS -
 PLOT DATE = #DATE# DATE - 06/29/12 REVISIONS -

TENG TENG & ASSOCIATES, INC.
ENGINEERS/ARCHITECTS/PLANNERS
CHICAGO, ILLINOIS

STATE OF ILLINOIS
DEPARTMENT OF TRANSPORTATION
I-70 CONNECTION OVER
NS, TRRA, MCT AND INDUSTRIAL DR.

DETAILS

SCALE: SHEET NO. S-3 OF S-5 STA. 134+22.00 TO STA.

F.A.P. RTE.	SECTION	COUNTY	TOTAL SHEETS	SHEET NO.
99B	B2-1R	ST. CLAIR	294	224
SN 082-0318 (EB) & 0319 (WB)			CONTRACT NO. 76C43	
FED. ROAD DIST. NO. [ILLINOIS] FED. AID PROJECT				