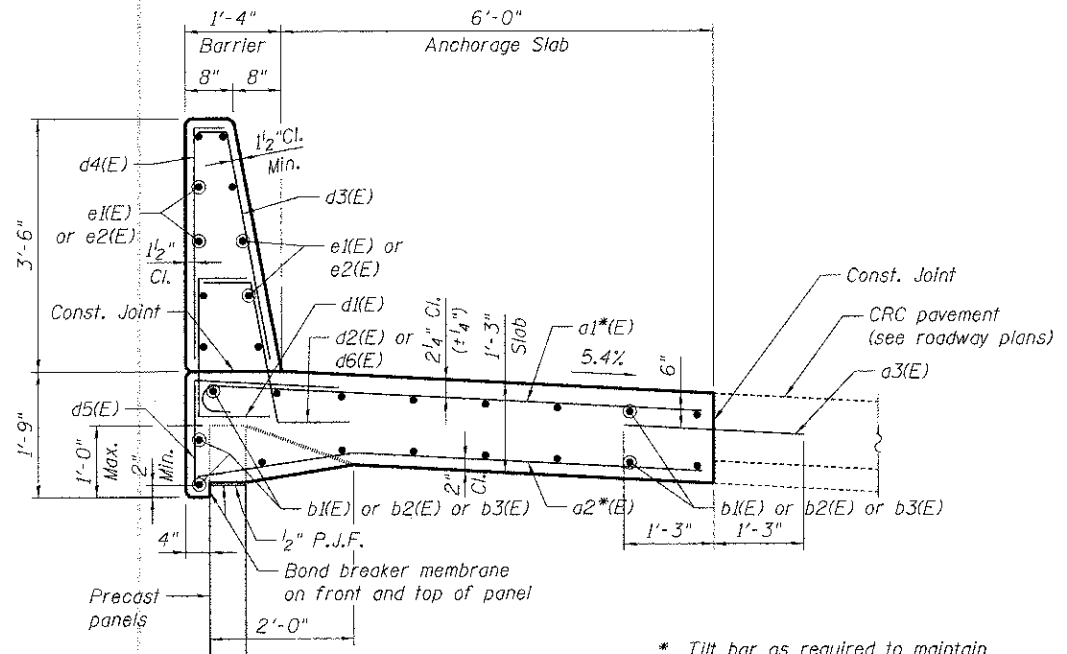
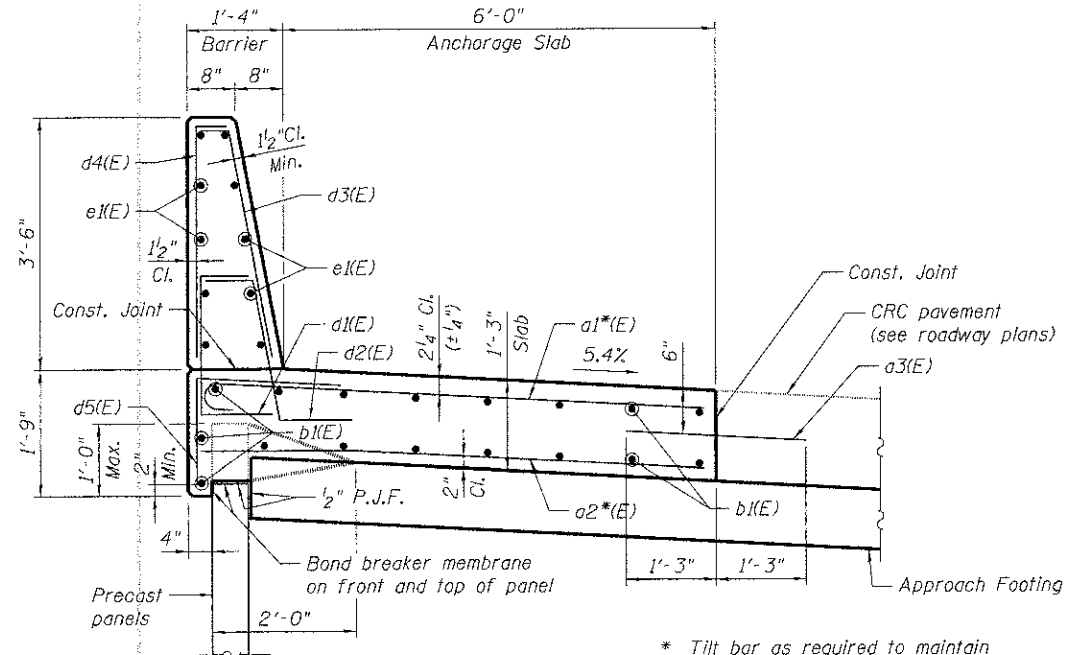


082W234-CON-08-001-RS.DGN, 082W234-CON-09-001-RS.DGN, 082W234-CON-09-002-RS.DGN, 082W234-CON-09-003-RS.DGN, 082W234-CON-09-004-RS.DGN, 082W234-CON-09-005-RS.DGN, 082W234-CON-09-006-RS.DGN, 082W234-CON-09-007-RS.DGN, 082W234-CON-09-008-RS.DGN, 082W234-CON-09-009-RS.DGN, 082W234-CON-09-010-RS.DGN, 082W234-CON-09-011-RS.DGN, 082W234-CON-09-012-RS.DGN, 082W234-CON-09-013-RS.DGN, 082W234-CON-09-014-RS.DGN, 082W234-CON-09-015-RS.DGN, 082W234-CON-09-016-RS.DGN, 082W234-CON-09-017-RS.DGN, 082W234-CON-09-018-RS.DGN, 082W234-CON-09-019-RS.DGN, 082W234-CON-09-020-RS.DGN, 082W234-CON-09-021-RS.DGN, 082W234-CON-09-022-RS.DGN, 082W234-CON-09-023-RS.DGN, 082W234-CON-09-024-RS.DGN, 082W234-CON-09-025-RS.DGN, 082W234-CON-09-026-RS.DGN, 082W234-CON-09-027-RS.DGN, 082W234-CON-09-028-RS.DGN, 082W234-CON-09-029-RS.DGN, 082W234-CON-09-030-RS.DGN, 082W234-CON-09-031-RS.DGN, 082W234-CON-09-032-RS.DGN, 082W234-CON-09-033-RS.DGN, 082W234-CON-09-034-RS.DGN, 082W234-CON-09-035-RS.DGN, 082W234-CON-09-036-RS.DGN, 082W234-CON-09-037-RS.DGN, 082W234-CON-09-038-RS.DGN, 082W234-CON-09-039-RS.DGN, 082W234-CON-09-040-RS.DGN, 082W234-CON-09-041-RS.DGN, 082W234-CON-09-042-RS.DGN, 082W234-CON-09-043-RS.DGN, 082W234-CON-09-044-RS.DGN, 082W234-CON-09-045-RS.DGN, 082W234-CON-09-046-RS.DGN, 082W234-CON-09-047-RS.DGN, 082W234-CON-09-048-RS.DGN, 082W234-CON-09-049-RS.DGN, 082W234-CON-09-050-RS.DGN, 082W234-CON-09-051-RS.DGN, 082W234-CON-09-052-RS.DGN, 082W234-CON-09-053-RS.DGN, 082W234-CON-09-054-RS.DGN, 082W234-CON-09-055-RS.DGN, 082W234-CON-09-056-RS.DGN, 082W234-CON-09-057-RS.DGN, 082W234-CON-09-058-RS.DGN, 082W234-CON-09-059-RS.DGN, 082W234-CON-09-060-RS.DGN, 082W234-CON-09-061-RS.DGN, 082W234-CON-09-062-RS.DGN, 082W234-CON-09-063-RS.DGN, 082W234-CON-09-064-RS.DGN, 082W234-CON-09-065-RS.DGN, 082W234-CON-09-066-RS.DGN, 082W234-CON-09-067-RS.DGN, 082W234-CON-09-068-RS.DGN, 082W234-CON-09-069-RS.DGN, 082W234-CON-09-070-RS.DGN, 082W234-CON-09-071-RS.DGN, 082W234-CON-09-072-RS.DGN, 082W234-CON-09-073-RS.DGN, 082W234-CON-09-074-RS.DGN, 082W234-CON-09-075-RS.DGN, 082W234-CON-09-076-RS.DGN, 082W234-CON-09-077-RS.DGN, 082W234-CON-09-078-RS.DGN, 082W234-CON-09-079-RS.DGN, 082W234-CON-09-080-RS.DGN, 082W234-CON-09-081-RS.DGN, 082W234-CON-09-082-RS.DGN, 082W234-CON-09-083-RS.DGN, 082W234-CON-09-084-RS.DGN, 082W234-CON-09-085-RS.DGN, 082W234-CON-09-086-RS.DGN, 082W234-CON-09-087-RS.DGN, 082W234-CON-09-088-RS.DGN, 082W234-CON-09-089-RS.DGN, 082W234-CON-09-090-RS.DGN, 082W234-CON-09-091-RS.DGN, 082W234-CON-09-092-RS.DGN, 082W234-CON-09-093-RS.DGN, 082W234-CON-09-094-RS.DGN, 082W234-CON-09-095-RS.DGN, 082W234-CON-09-096-RS.DGN, 082W234-CON-09-097-RS.DGN, 082W234-CON-09-098-RS.DGN, 082W234-CON-09-099-RS.DGN, 082W234-CON-09-100-RS.DGN



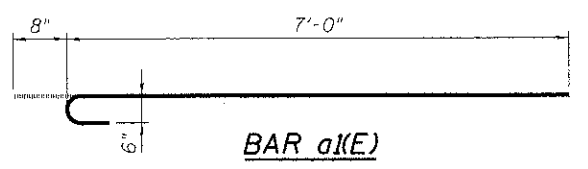
SECTION A-A

* Tilt bar as required to maintain 1/2" cl. at top of precast panel.

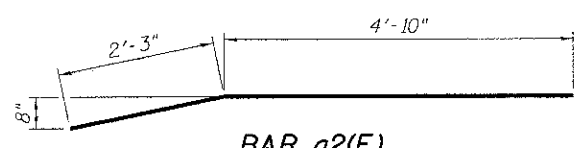


SECTION C-C

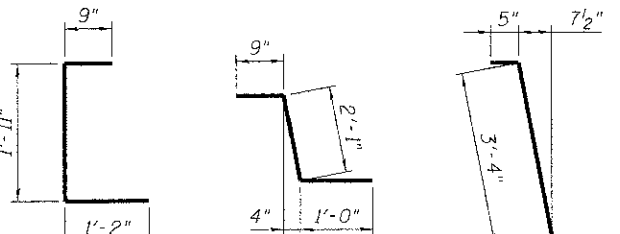
* Tilt bar as required to maintain 1/2" cl. at top of precast panel.



BAR a1(E)



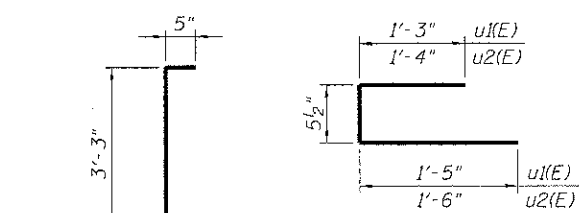
BAR a2(E)



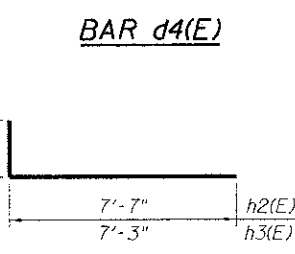
BAR d1(E)

BAR d2(E)

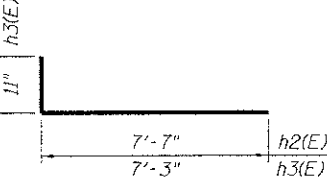
BAR d3(E)



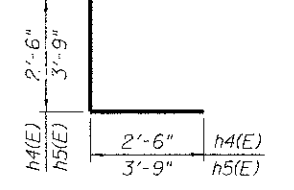
BARS u1(E) & u2(E)



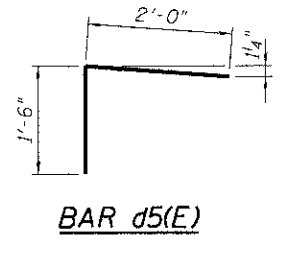
BAR d4(E)



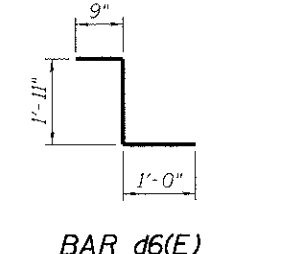
BARS h2(E) & h3(E)



BARS h4(E) & h5(E)



BAR d5(E)



BAR d6(E)

BAR LIST

Bar	No.	Size	Length	Shape
a1(E)	1579	#6	7'-8"	
a2(E)	659	#5	7'-1"	
a3(E)	330	#6	2'-6"	
b1(E)	357	#5	30'-0"	
b2(E)	119	#5	10'-6"	
b3(E)	17	#5	27'-6"	
d1(E)	790	#5	3'-10"	
d2(E)	787	#5	3'-10"	
d3(E)	790	#5	3'-9"	
d4(E)	790	#5	3'-8"	
d5(E)	790	#5	3'-6"	
d6(E)	3	#5	3'-8"	
e1(E)	210	#5	29'-8"	
e2(E)	10	#5	27'-8"	
h1(E)	50	#4	12'-0"	
h2(E)	3	#4	8'-9"	
h3(E)	2	#4	8'-2"	
h4(E)	2	#4	5'-0"	
h5(E)	3	#4	7'-6"	
u1(E)	70	#4	3'-2"	
u2(E)	13	#4	3'-4"	
v1(E)	5	#4	11'-9"	

BILL OF MATERIAL

Item	Unit	Total
Concrete Superstructure	Cu. Yd.	318.1
Reinforcement Bars, Epoxy Coated	Pound	60,020
Protective Coat	Sq. Yd.	748

NOTES:

1. Reinforcement bars designated (E) shall be epoxy coated.
2. For section A-A and C-C locations, see Sht. W-2.