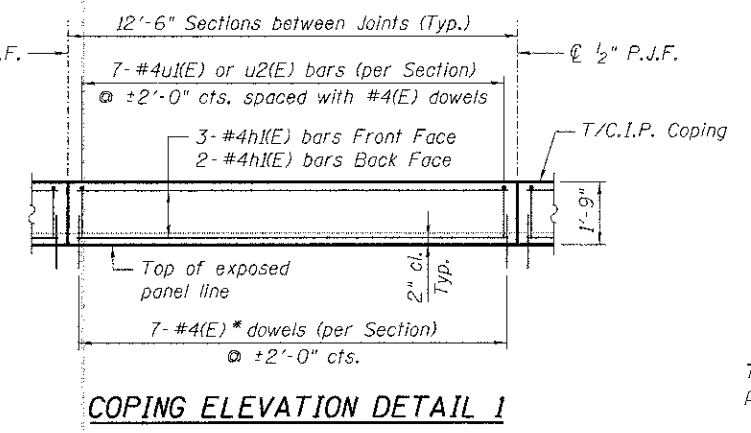


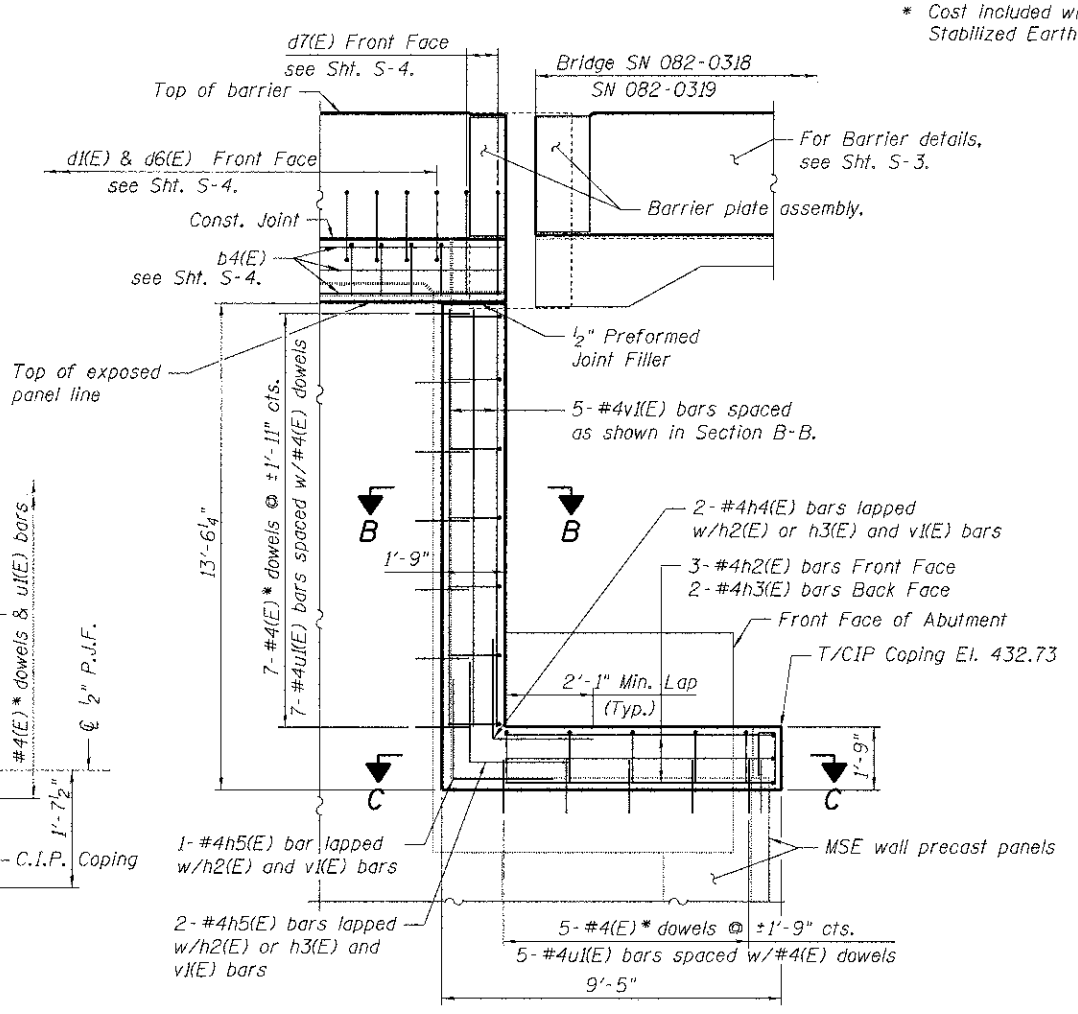
**NOTES:**  
 1. For Bar List and Bill of Material, see Sht. W-3.  
 2. Reinforcement bars designated (E) shall be epoxy coated.  
 3. All edges shall have a 3/4" chamfer unless noted otherwise.

**ELEVATION**  
Looking East

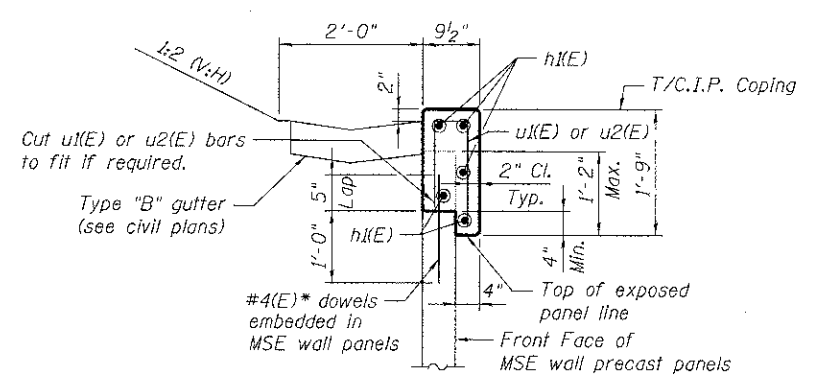
\* Cost included with Mechanically Stabilized Earth Retaining Wall



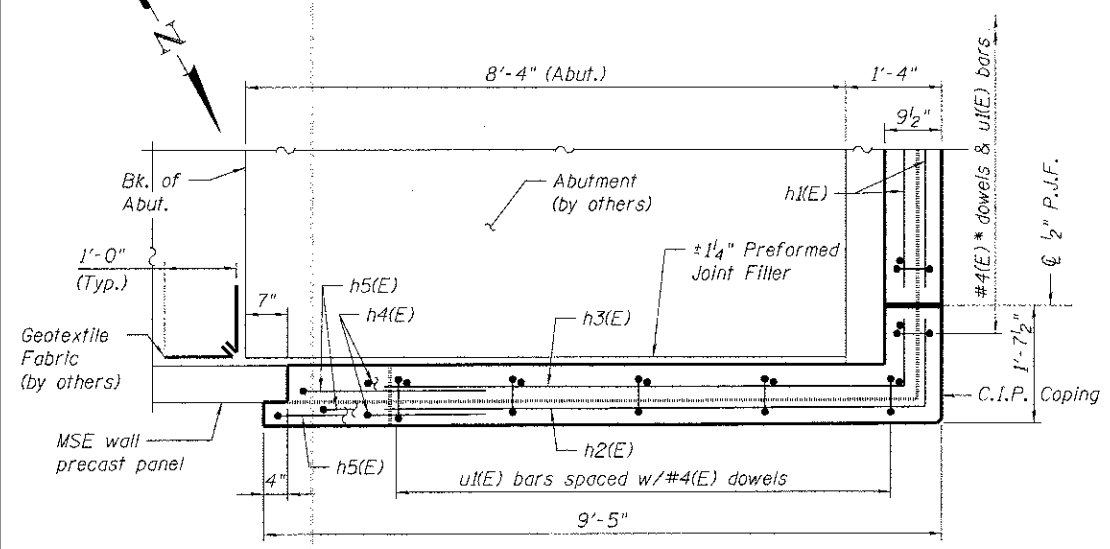
**COPING ELEVATION DETAIL 1**



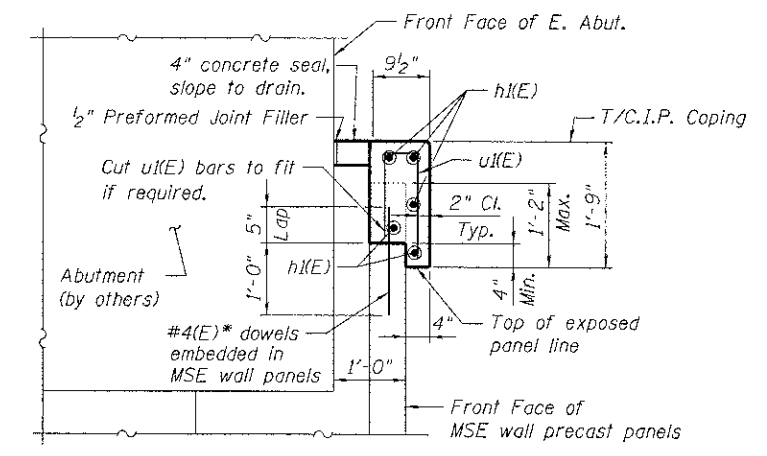
**VIEW A-A**  
Looking South



**SECTION E-E**



**PLAN SECTION C-C**



**SECTION D-D**  
Looking South

FILE NAME =	USER NAME = #USER#	DESIGNED - JLR	REVISED -	STATE OF ILLINOIS DEPARTMENT OF TRANSPORTATION I-70 CONNECTION RETAINING WALL	DETAILS 2	F.A.P. RTE. = 998	SECTION = 82-1R	COUNTY = ST. CLAIR	TOTAL SHEETS = 294	SHEET NO. = 230	
#FILEL#	PLOT SCALE = #SCALE#	DRAWN - FD	REVISED -			SCALE: NTS	SHEET NO. W-4 OF W-4	SN 082-W234		CONTRACT NO. 76C43	
TENG	PLOT DATE = #DATE#	CHECKED - RSN	REVISED -			STA. 140+57.64 TO STA. 147+35.00	FED. ROAD DIST. NO. [ILLINOIS] FED. AID PROJECT				
DESIGNED BY: JLR		DATE - 06/29/12	REVISED -								