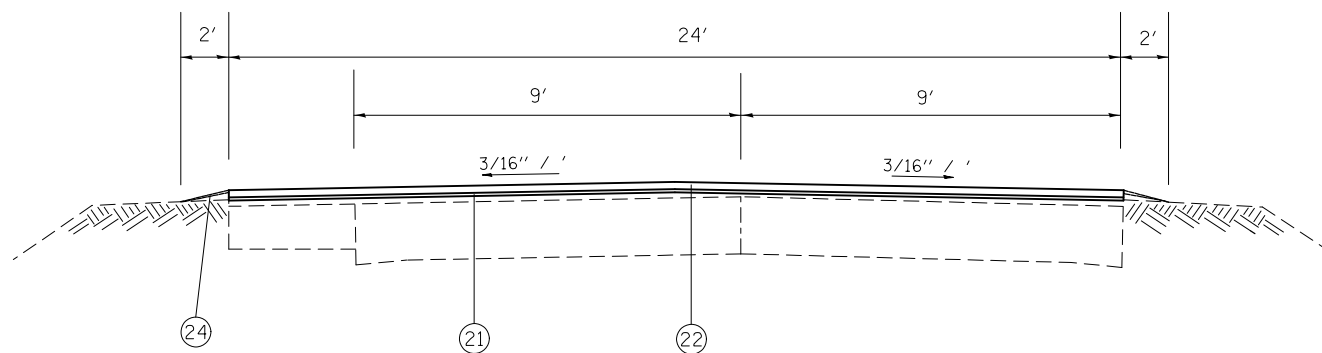
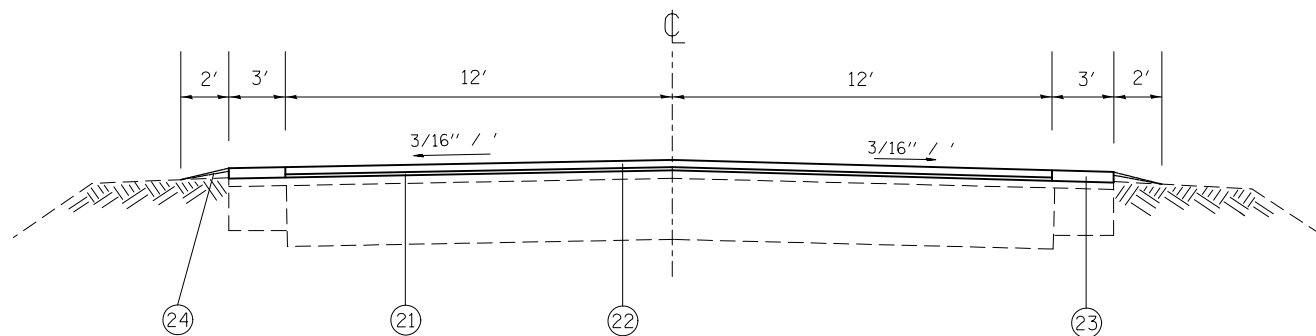


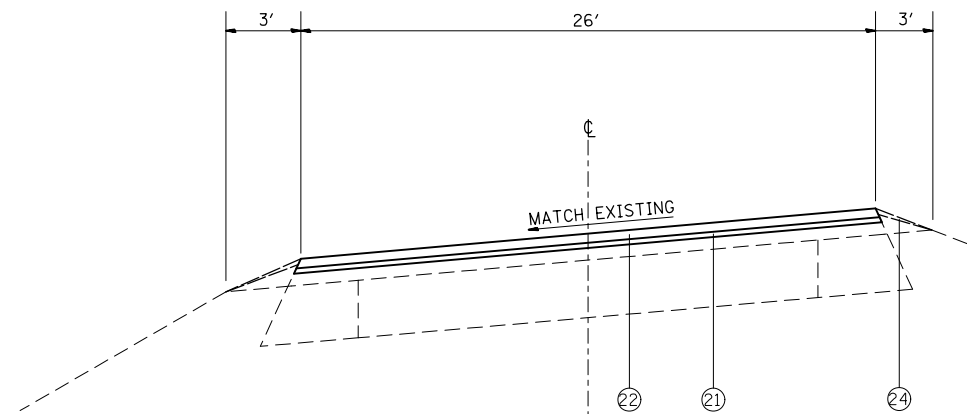
MM 3.92 - 4.86



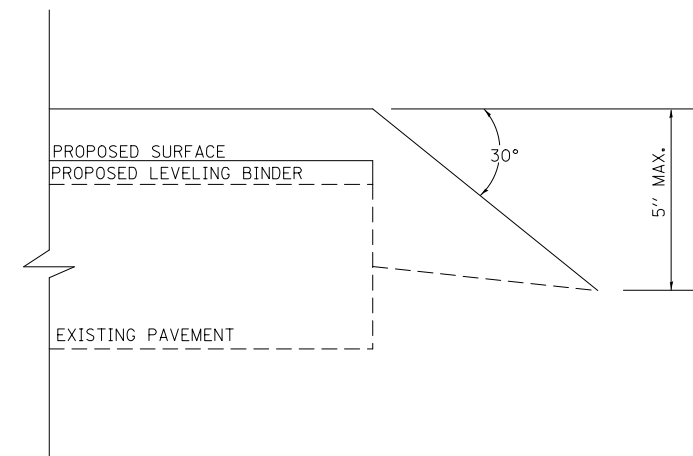
MM 4.86 - 6.45



MM 6.45 - 6.65



IL 106



SAFETY EDGE DETAIL

MM 1.45 - 3.92
MM 4.86 - 6.45

- ① PROP. LEVELING BINDER (MM), N70, 3/4"
- ② PROP. HMA SURFACE COURSE, MIX D, N70, 1 1/2"
- ③ PROP. HMA SHOULDERS, 2 1/4"
- ④ PROP. AGGREGATE SHOULDER WEDGE, TYPE B

FILE NAME =	USER NAME = conoverpj	DESIGNED -	REVISED -
et:\pwork\pwork\conoverpj\d0280278\d076f25-sht-plan2.dgn		DRAWN -	REVISED -
	PLOT SCALE = 100.0000' / 1in.	CHECKED -	REVISED -
	PLOT DATE = 6/29/2012	DATE -	REVISED -

**STATE OF ILLINOIS
DEPARTMENT OF TRANSPORTATION**

PROPOSED TYPICAL SECTIONS

SCALE: SHEET NO. 2 OF 2 SHEETS STA. TO STA.

F.A.S. RTE.	SECTION	COUNTY	TOTAL SHEETS	SHEET NO.
733	(62,48)RS-3,5ORS-2	GREENE	16	8
CONTRACT NO. 76F25				
FED. ROAD DIST. NO. ILLINOIS FED. AID PROJECT				