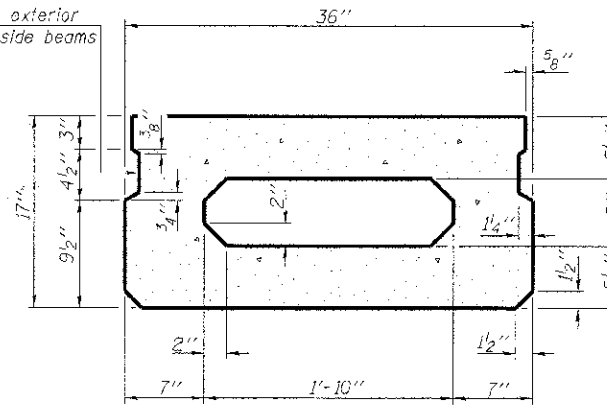
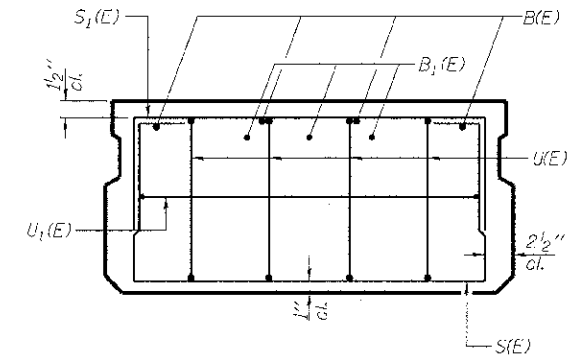


SECTION A-A

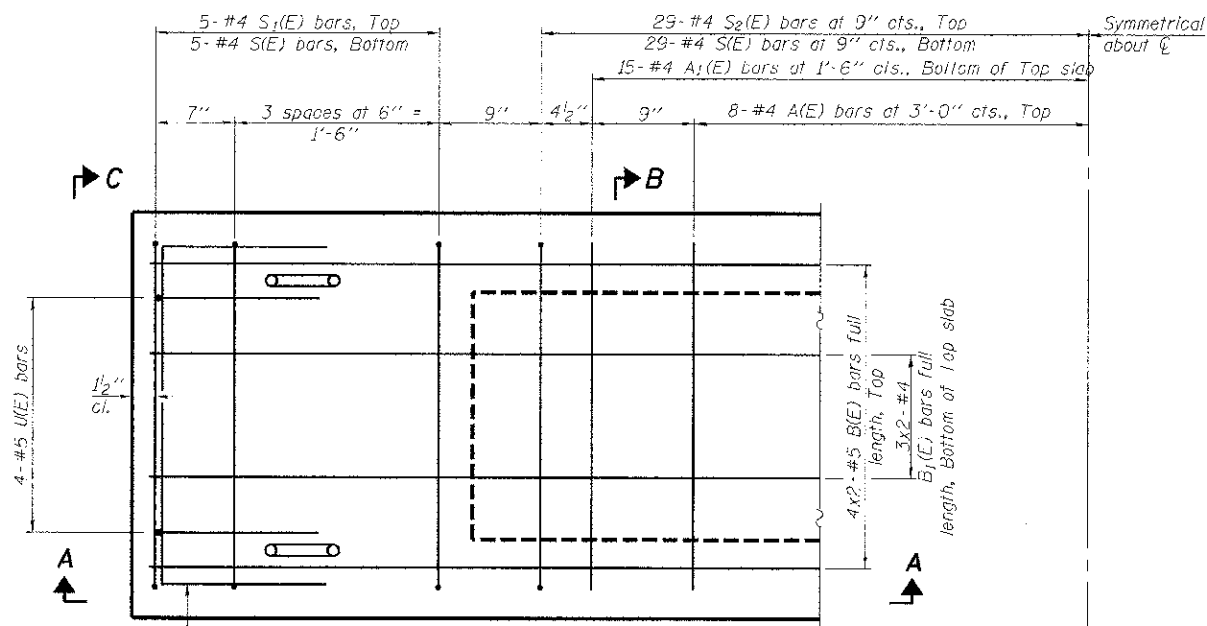
Omit key on exterior face of outside beams



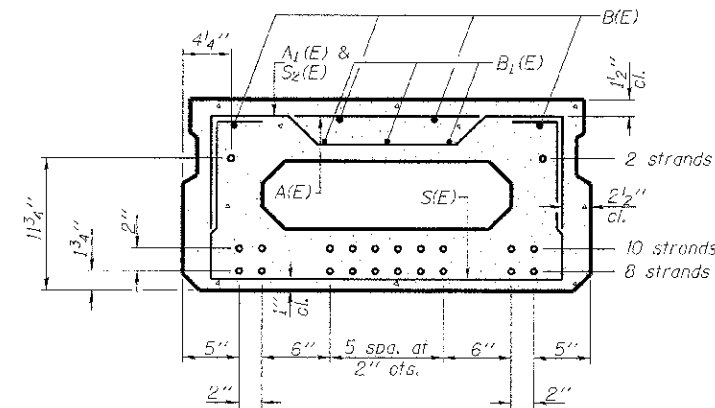
SECTION B-B
(Showing dimensions)



VIEW C-C



PLAN VIEW



SECTION B-B
(Showing reinforcement and permissible strand locations)

Note: Place the number of strands specified in each row symmetrically about the centerline of beam in the permissible strand locations shown.

BAR LIST
ONE BEAM ONLY
(For information only)

Bar	No.	Size	Length	Shape
A(E)	16	#4	2' - 7"	—
A1(E)	30	#4	2' - 10"	—
B(E)	8	#5	25' - 4"	—
B1(E)	6	#4	25' - 1"	—
S(E)	68	#4	5' - 9"	—
S2(E)	10	#4	4' - 3"	—
S2(E)	58	#4	4' - 6"	—
U(E)	8	#5	3' - 8"	—
U1(E)	2	#4	5' - 0"	—

Note: See sheet of for additional details and Bill of Material.

MINIMUM BAR LAP

#4 bar = 2' - 0"
#5 bar = 2' - 6"

Note: Spacing of S1(E) and S2(E) bars may be adjusted up to 4" in the immediate area of the transverse tie diaphragms to miss the block outs for the transverse ties.

PRINTED DATE: 6/11/2012 FILE NAME: \\proj\apps\design\subarea\02-18-02_Super.dgn

PD-1736-0

7-1-10

ESI
ESI CONSULTANTS, LTD
Chattanooga, Georgia, USA 30409

USER NAME = #USER#
DESIGNED - DF
CHECKED - JEH, ADG
DRAWN - JEH, ADG
PLOT SCALE = 0.8893 / IN
PLOT DATE = 6/11/2012

DESIGNED - DF
CHECKED - JEH, ADG
DRAWN - JEH, ADG
PLOT DATE = 6/11/2012

STATE OF ILLINOIS
DEPARTMENT OF TRANSPORTATION

17" x 36" PPC DECK BEAM
STRUCTURE NO. 092-3508

SHEET NO 2 OF 7 SHEETS

TWP. RTE.	SECTION	COUNTY	TOTAL SHEETS	SHEET NO.
92	05-09118-00-BR	VERMILION	15	07
ILLINOIS FED. AID PROJECT			CONTRACT NO. 91463	