

028  
09-21-2018 LETTING ITEM 028

STATE OF ILLINOIS  
DEPARTMENT OF TRANSPORTATION

F.A. DATE	SECTION	COUNTY	TOTAL SHEETS	SHEET NO.
	DIST 8 ELECTRICAL 2019-1		6	1
	VARIOUS	ILLINOIS	CONTRACT NO. 76L78	

**INDEX OF SHEETS**

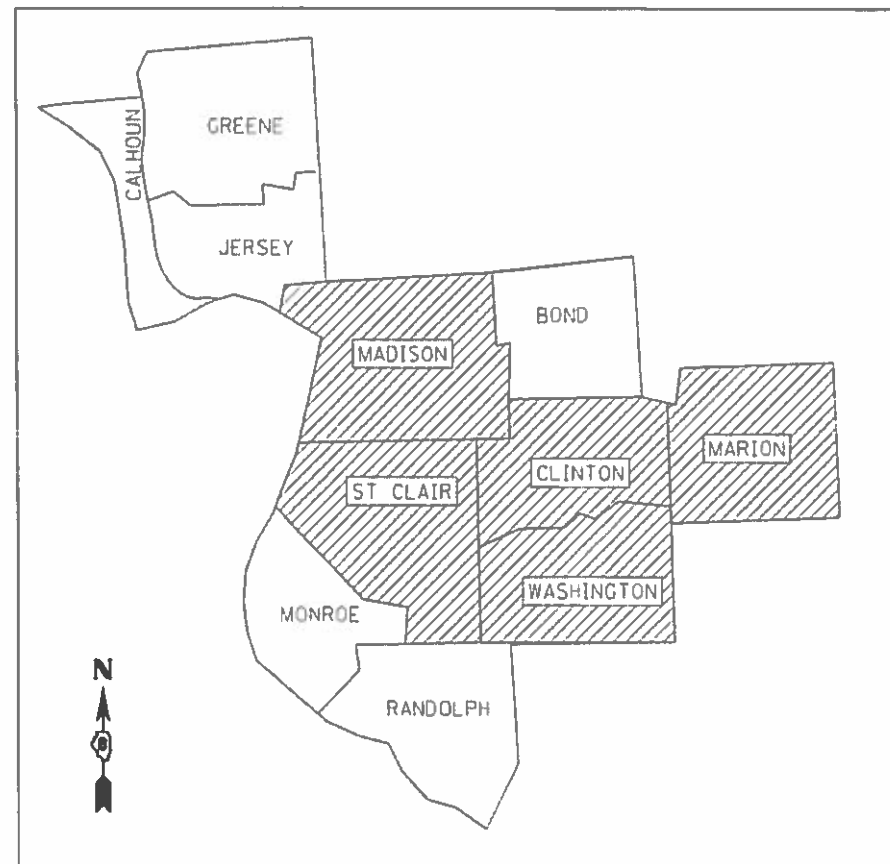
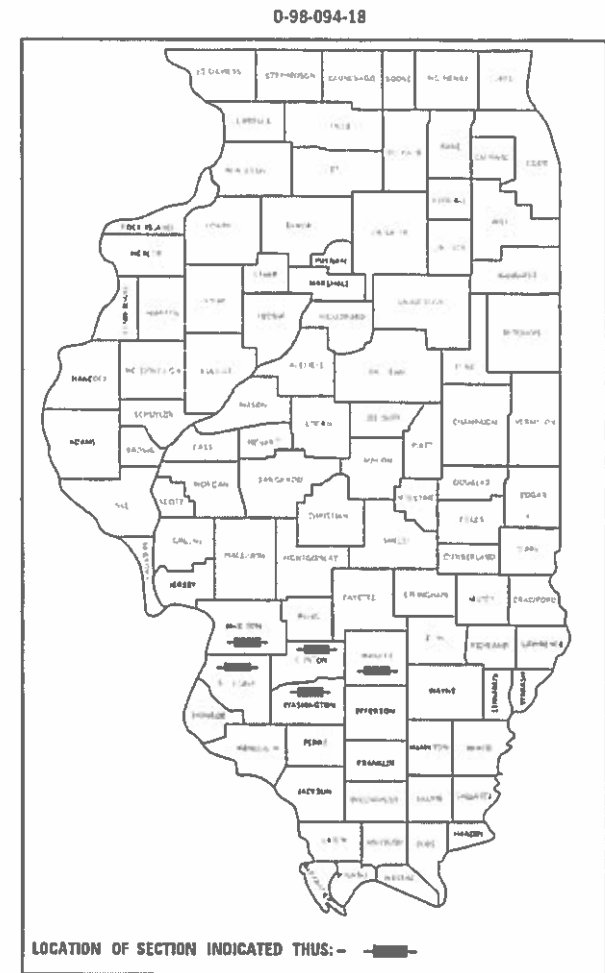
1. COVER SHEET
2. GENERAL NOTES AND TYPICAL WORK ORDER FORMS
3. SUMMARY OF QUANTITIES
- 4-6. MIXERS

FOR LIST OF HIGHWAY STANDARDS, SEE SHEET NO. 2

# PROPOSED HIGHWAY PLANS

**VARIOUS ROUTES  
SECTION DIST 8 ELECTRICAL 2019-1  
REPAIR & MAINTENANCE OF ELECTRICAL  
EQUIPMENT AT PUMP STATIONS  
VARIOUS COUNTIES**

C-98-306-18



FULL SIZE PLANS HAVE BEEN PREPARED USING STANDARD ENGINEERING SCALES. REDUCED SIZED PLANS WILL NOT CONFORM TO STANDARD SCALES. IN MAKING MEASUREMENTS ON REDUCED PLANS, THE ABOVE SCALES MAY BE USED.

J.U.L.I.E.  
JOINT UTILITY LOCATION INFORMATION FOR EXCAVATION  
1-800-892-0123  
OR 811

PROJECT ENGINEER: HERVE GELIN (618) 346-3179  
PROJECT MANAGER: PHILLIP PETE SAWYER (618) 346-3275  
SQUAD LEADER: JEYCEA BOBO (618) 346-3190  
CONTRACT NO. 76L78

NOTE: WORK CAN BE LOCATED WITHIN ANY OF THE ABOVE NOTED COUNTIES WITHIN DISTRICT 8/REGION 5.

STATE OF ILLINOIS  
DEPARTMENT OF TRANSPORTATION

SUBMITTED June 19, 2018  
Jeffrey Z. Keiser REGIONAL ENGINEER

Aug 17, 2018  
Paul P. Chafin ENGINEER OF DESIGN AND ENVIRONMENT

Aug 17, 2018  
Paul P. Chafin DIRECTOR OF HIGHWAYS PROJECT IMPLEMENTATION

PRINTED BY THE AUTHORITY  
OF THE STATE OF ILLINOIS

GENERAL NOTES

1. THE LOCATIONS OF THE REPAIR AREAS SHALL BE DETERMINED BY THE ENGINEER/DEPARTMENT.
2. NO MATERIAL SHALL BE LEFT ON OR NEAR THE ROADWAY DURING NON-WORKING HOURS.
3. ANY NECESSARY TRAFFIC CONTROL WILL BE PROVIDED BY THE CONTRACTOR APPROPRIATE STANDARDS ARE LISTED BELOW.
4. ILLINOIS STATE LAW REQUIRES A 48-HOUR NOTICE TO BE GIVEN TO UTILITIES BEFORE DIGGING. FIELD MARKING OF FACILITIES MAY BE OBTAINED BY CONTACTING J.U.L.I.E. (1-800-892-0123 OR 811) OR FOR NON-MEMBERS, THE UTILITY COMPANY DIRECTLY.
5. A FLAGGER SHALL BE REQUIRED AT ALL TIMES WHEN WORKERS OR EQUIPMENT ARE ENCROACHING ON THE LANE OF TRAFFIC.
6. WHEN NO WORK IS BEING PERFORMED, THE FLAGGERS WILL NOT BE REQUIRED. IF THE FLAGGERS ARE NOT PRESENT, THE FLAGGER SIGNS SHALL BE REMOVED OR COVERED.
7. 45 & 55 MPH SIGNS ARE INCLUDED IN ALL INTERSTATE LANE CLOSURES. IF THE LANE CLOSURE DURATION IS LESS THAN 4 HOURS, THE 45 & 55 MPH SIGNS ARE NOT REQUIRED.
8. ANY WORK ORDER MAY BE CANCELLED AT THE ENGINEER'S/DEPARTMENT'S DISCRETION.
9. NO OVERNIGHT LANE CLOSURES WILL BE ALLOWED.

10. HIGHWAY STANDARDS

000001-06	701301-04	701451-05
001006	701400-09	701456-05
701001-02	701401-11	701601-09
701006-05	701406-11	701606-10
701106-02	701421-08	701701-10
701201-04	701422-10	701901-07
701206-04	701446-09	



**Work Order**

**Requested By:** \_\_\_\_\_ **Date:** \_\_\_\_\_ **Time:** \_\_\_\_\_

**Assigned To:** \_\_\_\_\_ **Received From:** \_\_\_\_\_

**Estimated Cost:** \_\_\_\_\_

**Location:** \_\_\_\_\_

**Problem:**

**Ref/Accident #:** \_\_\_\_\_ **Claim #:** \_\_\_\_\_

**Remarks:** \_\_\_\_\_

**Completed By:** \_\_\_\_\_ **Date/Time Completed:** \_\_\_\_\_

MODEL: Default  
FILE NAME: P:\1108\B&E\BIDD\ITEC\Illinois.gov\PW\DOT\Documents\DOT Office\DI\refct 8\Project\0876L78\CAD\data\CAD\heers\0876L78\rfc\plan.dgn

USER NAME = boboja	DESIGNED -	REVISED -
	DRAWN -	REVISED -
PLOT SCALE = 40,0000 ' / in.	CHECKED -	REVISED -
PLOT DATE = 6/6/2018	DATE -	REVISED -

**STATE OF ILLINOIS  
DEPARTMENT OF TRANSPORTATION**

**GENERAL NOTES  
TYPICAL WORK ORDER FORM**

SCALE: SHEET OF SHEETS STA. TO STA.

F.A. RTE.	SECTION	COUNTY	TOTAL SHEETS	SHEET NO.
*	DIST 8 ELECTRICAL 2019-1	*	6	2
**VARIOUS			CONTRACT NO. 76L78	
ILLINOIS		FED. AID PROJECT		

CODE NO.	ITEM	UNIT	TOTAL QUANTITY	CONSTRUCTION CODE						
				100% STATE 0043						
70102625	TRAFFIC CONTROL AND PROTECTION, STANDARD 701606	L SUM	1	1						
70102630	TRAFFIC CONTROL AND PROTECTION, STANDARD 701601	L SUM	1	1						
70102635	TRAFFIC CONTROL AND PROTECTION, STANDARD 701701	L SUM	1	1						
• X0327020	SUBMERSIBLE MIXER	EACH	1	1						
• X0327111	MAGNUM BREAKER	EACH	250	250						
• X0327495	JOURNEYMAN ELECTRICIAN	HOUR	250	250						
• X0327496	APPRENTICE ELECTRICIAN	HOUR	140	140						
• X0327497	PICK-UP TRUCK	HOUR	250	250						
• X0327498	BUCKET TRUCK (LENGTH LESS THAN 35 FEET)	HOUR	75	75						
• X0327499	BUCKET TRUCK (LENGTH 35 TO 65 FEET)	HOUR	75	75						
• X0327500	ARROWBOARD (TRAILER MOUNTED)	HOUR	25	25						
• X0327501	ATTENUATOR, CRASH (TRUCK MOUNTED)	HOUR	25	25						
• X0327734	TRUCK CRANE	HOUR	25	25						

\* = SP PROVISION REQUIRED

MODEL: Default  
 FILE: \\nas01c.pva\illinois\BID\NTEC\Illinois\gov\PI\DOT\Documents\DOT - Offices\Director\B\Projects\0876L78\CAD\data\CAD\sheet\0876L78.rvt-elan.dgn

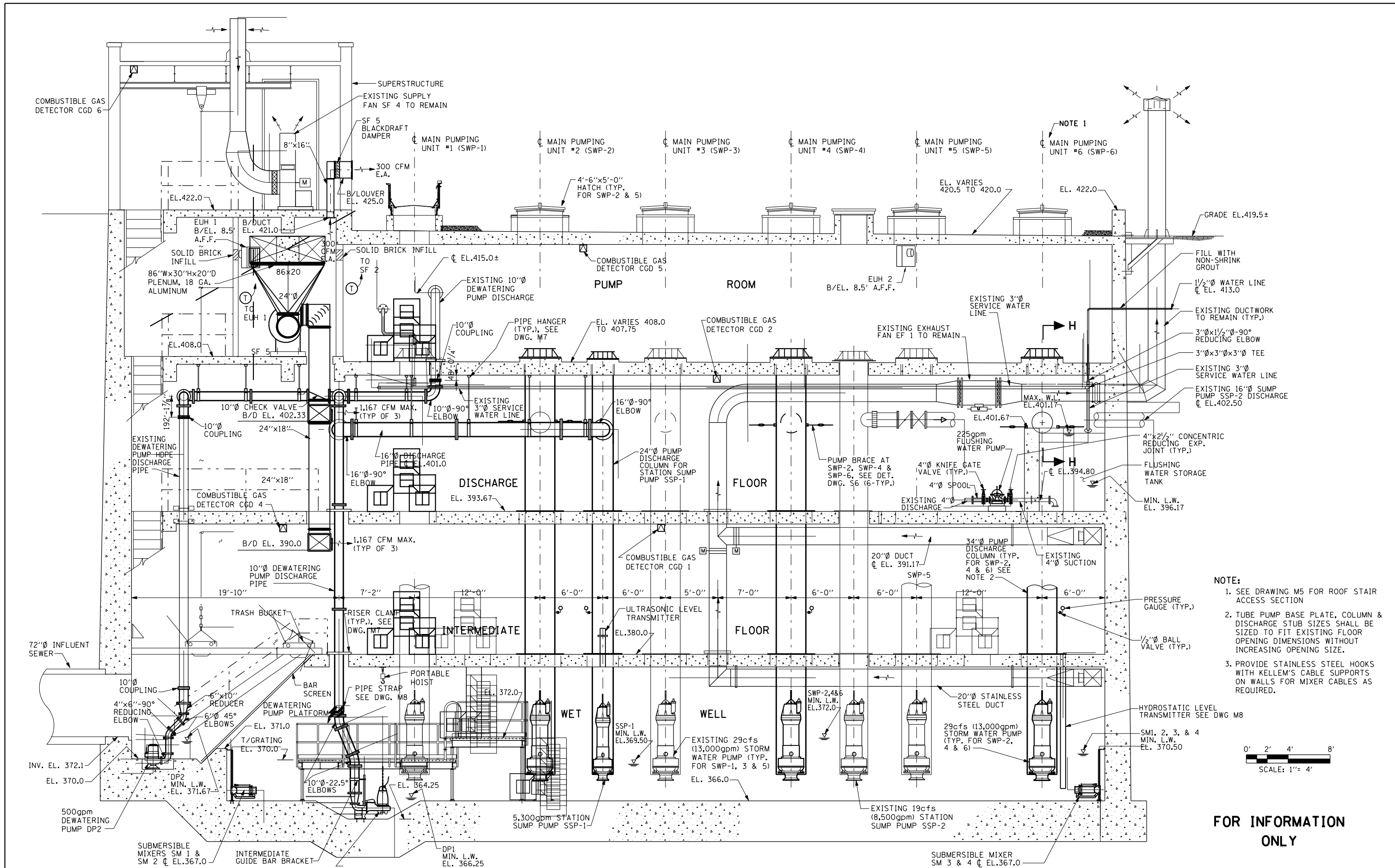
USER NAME = boboja	DESIGNED -	REVISED -
	DRAWN -	REVISED -
PLOT SCALE = 40.0000 ' / in.	CHECKED -	REVISED -
PLOT DATE = 6/6/2018	DATE -	REVISED -

**STATE OF ILLINOIS  
DEPARTMENT OF TRANSPORTATION**

**GENERAL NOTES  
TYPICAL WORK ORDER FORM**

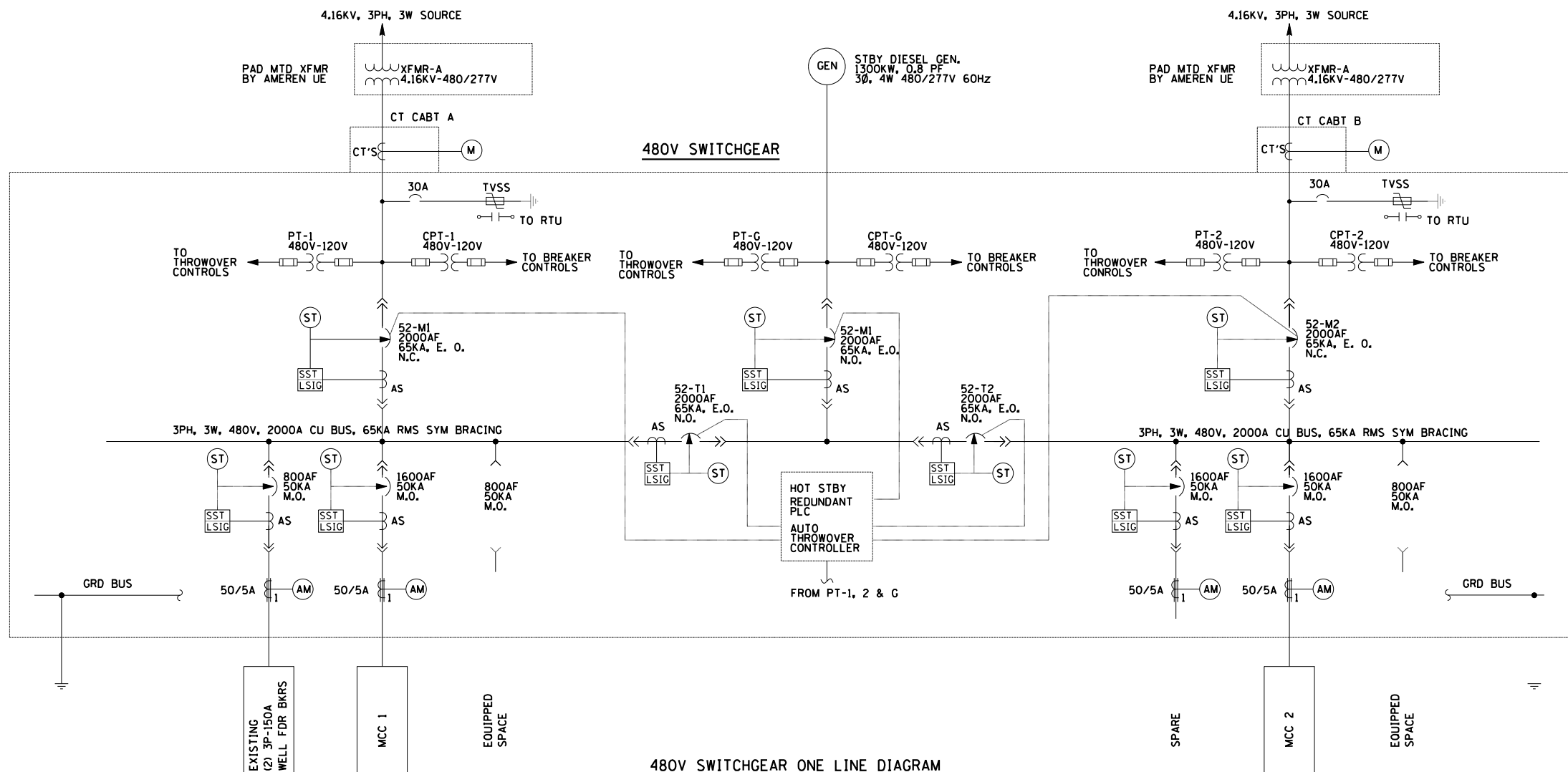
SCALE: SHEET OF SHEETS STA. TO STA.

F.A. RTE.	SECTION	COUNTY	TOTAL SHEETS	SHEET NO.
*	DIST 8 ELECTRICAL 2019-1	*	6	3
**VARIOUS			CONTRACT NO. 76L78	
		ILLINOIS	FED. AID PROJECT	



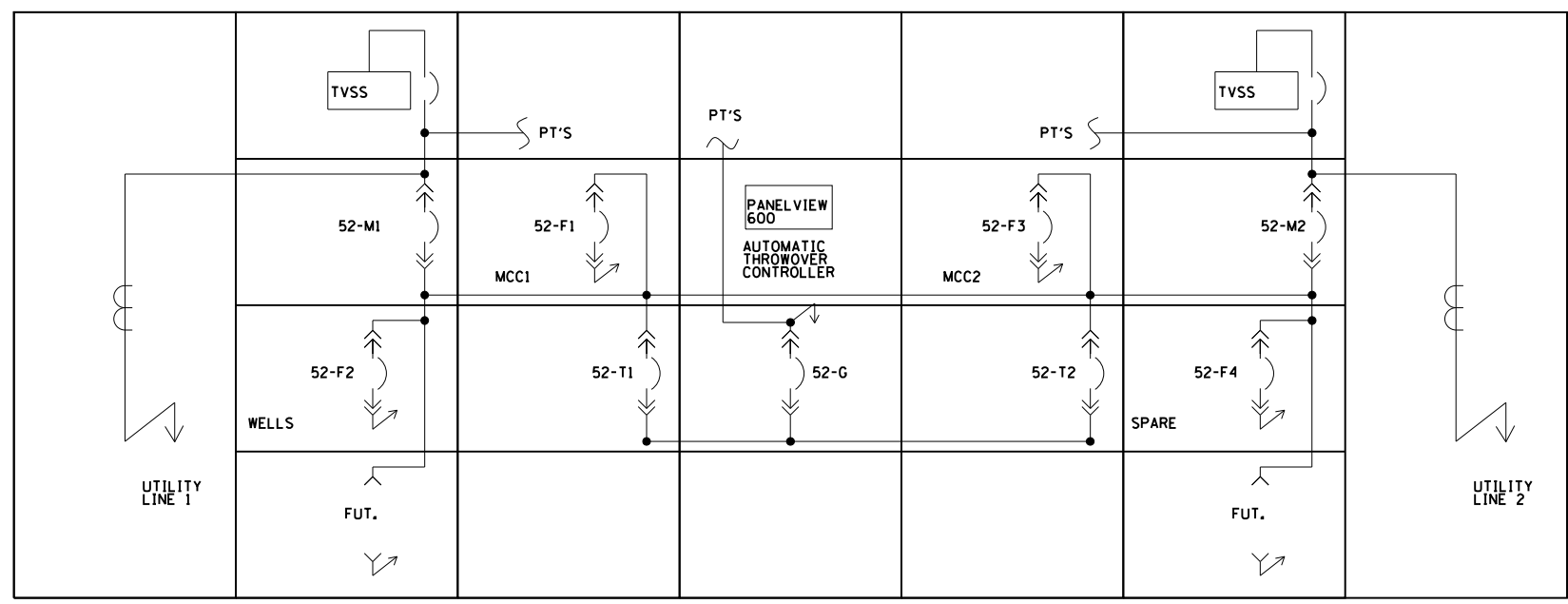
FILE NAME =	USER NAME = boboja	DESIGNED -	REVISED -	<b>STATE OF ILLINOIS DEPARTMENT OF TRANSPORTATION</b>	<b>MECHANICAL SECTIONS</b>	F.A. RTE.	SECTION	COUNTY	TOTAL SHEETS	SHEET NO.	
pw\1\084EBID\INTEG\illinois.gov\PI\DOT\Documents\DOT Offices\District 8\Projects\0875\Drawings\EA0\Sheets\0875-sht-pland	PLotted SCALE = 814.7989' / in.	CHECKED -	REVISED -			• DIST 8 ELECTRICAL 2019-1	•	•	6	4	
Default	PLotted DATE = 6/6/2018	DATE -	REVISED -			• VARIOUS			CONTRACT NO. 76L78		
						ILLINOIS FED. AID PROJECT					





- LEGEND:**
- AS CURRENT SENSOR
  - CT CURRENT TRANSFORMER
  - EO ELECTRIC OPERATOR
  - MO MANUALLY OPERATED
  - MCCB MOLDED CASE CIRCUIT BREAKER
  - PT POTENTIAL TRANSFORMER
  - CPT CONTROL POWER TRANSFORMER
  - CLF INDICATES CURRENT LIMITING TYPE
  - ↕ HIGH VOLTAGE CABLE LOAD BREAK CONNECTOR
  - ⊞ FUSE
  - ⌋ DRAW OUT TYPE LOW VOLTAGE POWER CIRCUIT BREAKER WITH BUILT-IN CURRENT SENSOR
  - AS
  - ⊞ SOLID STATE TRIP DEVICE
  - LOWER LETTERS: L - LONG TIME DELAY  
S - SHORT TIME DELAY  
I - INSTANTANEOUS  
G - GROUND FAULT
  - ⊞ SHUNT TRIP
  - ⊞ AMMETER

- NOTES:**
1. SPACE SHALL BE PREPARED TO ACCEPT A FUTURE BREAKER.
  2. ALL BREAKERS SHALL HAVE DIGITRIP DT-1150, WITH SYSTEM COMMUNICATION.



**FOR INFORMATION ONLY**

FILE NAME =	USER NAME = boboja	DESIGNED -	REVISED -	<b>STATE OF ILLINOIS DEPARTMENT OF TRANSPORTATION</b>	<b>PUMP STATION SWITCHGEAR ONE LINE DIAGRAM &amp; ELEVATION</b>	F.A. RTÉ.	SECTION	COUNTY	TOTAL SHEETS	SHEET NO.		
Default	PLOT DATE = 6/6/2018	CHECKED -	REVISED -			SCALE:	SHEET OF SHEETS	STA. TO STA.	DIST 8 ELECTRICAL 2019-1	*	6	6
		DATE -	REVISED -						**VARIOUS			CONTRACT NO. 76L78
									ILLINOIS FED. AID PROJECT			