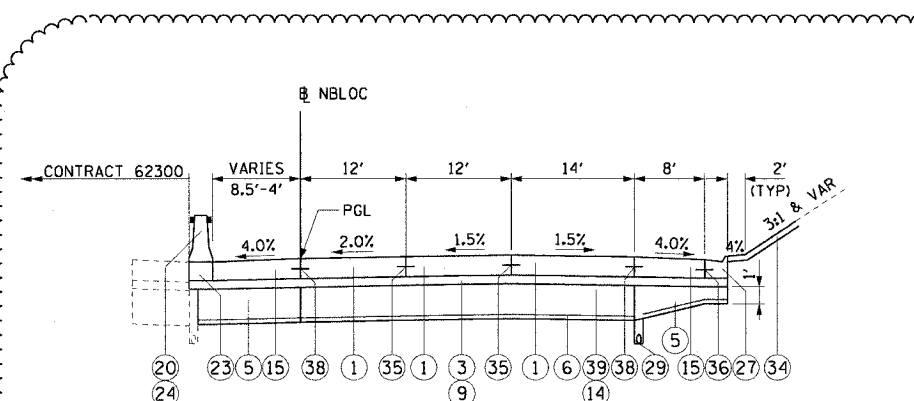


PROPOSED LEGEND:

- ① CONTINUOUSLY REINFORCED PORTLAND CEMENT CONCRETE PAVEMENT 14" AND PAVEMENT REINFORCEMENT 14"
- ③ BITUMINOUS STABILIZED SUB-BASE, 4 1/2"
- ⑤ SUB-BASE GRANULAR MATERIAL, TYPE B 24"
- ⑥ GEOTECHNICAL FABRIC FOR GROUND STABILIZATION
- ⑨ BITUMINOUS MATERIALS (PRIME COAT)
- ⑭ EXCAVATE AND PLACE EXISTING GRANULAR MATERIAL
- ⑮ PORTLAND CEMENT CONCRETE SHOULDERS 14" & VARIES
- ⑱ CONCRETE MEDIAN SURFACE, 6" (SPECIAL)
- ⑳ CONCRETE BARRIER, DOUBLE FACE, 32" HEIGHT
- ㉑ CONCRETE BARRIER, SINGLE FACE, 32" HEIGHT
- ㉒ BARRIER BASE
- ㉔ BARRIER WALL MARKERS, TYPE C (80' C-C)
- ㉖ COMBINATION CONCRETE CURB AND GUTTER, TYPE M-2.24
- ㉗ COMBINATION CONCRETE CURB AND GUTTER, TYPE M-4.24
- ㉘ COMBINATION CONCRETE CURB AND GUTTER, TYPE M-4.48 (MODIFIED)
- ㉙ PIPE UNDERDRAINS 6"
- ㉚ RETAINING WALL
- ㉛ MODIFIED EXISTING RETAINING WALL
- ㉜ SAND BACKFILL
- ㉝ GUARDRAIL
- ㉞ TOPSOIL FURNISH AND PLACE / SEEDING (SEE LANDSCAPING PLANS FOR DETAILS)
- ㉟ LONGITUDINAL SAWED OR CONSTRUCTION JOINT. FOR LONGITUDINAL SAWED JOINT, POUR IN PLACE NO. 6 DEFORMED EPOXY TIE BARS 30" LONG AT 30" C-C. FOR LONGITUDINAL CONSTRUCTION JOINT, DRILL AND GROUT NO. 8 DEFORMED EPOXY TIE BARS 24" LONG AT 24" C-C. (SHALL BE INCLUDED IN THE COST OF CONTINUOUSLY REINFORCED PCC PAVEMENT 14")
- ㊱ LONGITUDINAL CONSTRUCTION JOINT. DRILL AND GROUT NO. 6 DEFORMED EPOXY TIE BARS 24" LONG AT 24" C-C. (SHALL BE INCLUDED IN THE COST OF THE APPLICABLE COMB CONC CURB AND GUTTER TYPE)
- ㊲ LONGITUDINAL CONSTRUCTION JOINT. DRILL AND GROUT NO. 8 DEFORMED EPOXY TIE BARS 30" LONG AT 24" C-C. (SHALL BE INCLUDED IN THE COST OF THE APPLICABLE P.C.C. SHOULDERS TYPE)
- ㊳ SUB-BASE GRANULAR MATERIAL, TYPE B 12"

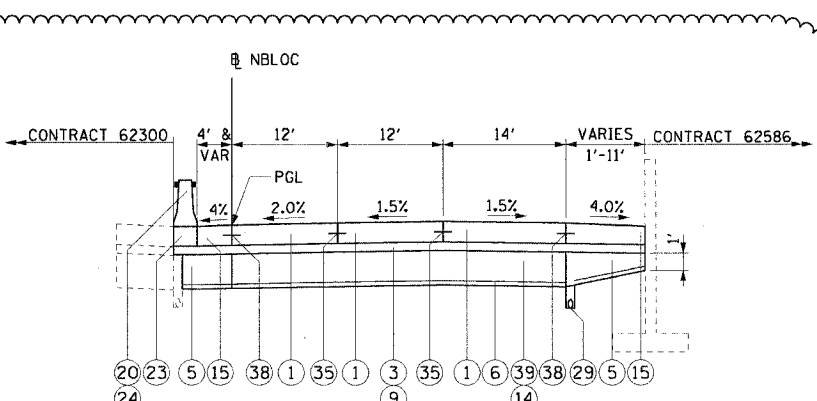
STRUCTURAL PAVEMENT DESIGN FOR MAINLINE

STRUCTURAL DESIGN TRAFFIC:	YEAR 2020
PV= 125,272	SU= 10,930 MU= 31,949
ROAD/STREET CLASSIFICATION:	CLASS 1
PV= 8%	SU= 37% MU= 37%
TRAFFIC FACTOR:	ACTUAL TF= 264.46 AC TYPE= N/A
	MINIMUM TF= 12.39
AC GRADE:	BINDER= - SURFACE= -
SUBGRADE SUPPORT RATING:	
SSR= 2.00 (STA. to STA.)	
SSR= 2.00 (STA. to STA.)	



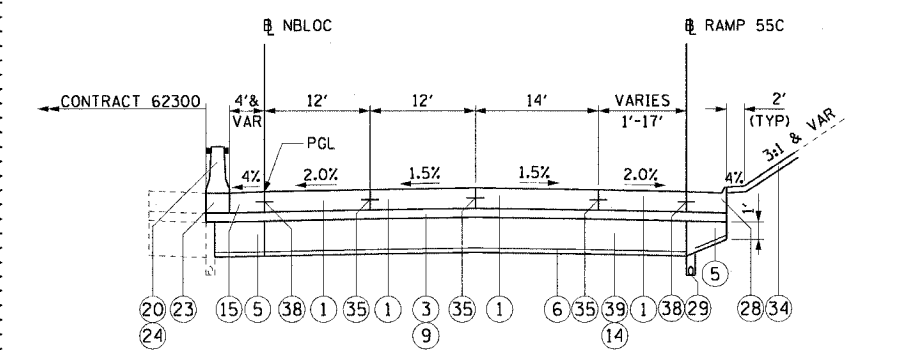
1 TYPICAL SECTION NB LOCAL LANES

STA 4450+38.19 TO STA 4455+57.88



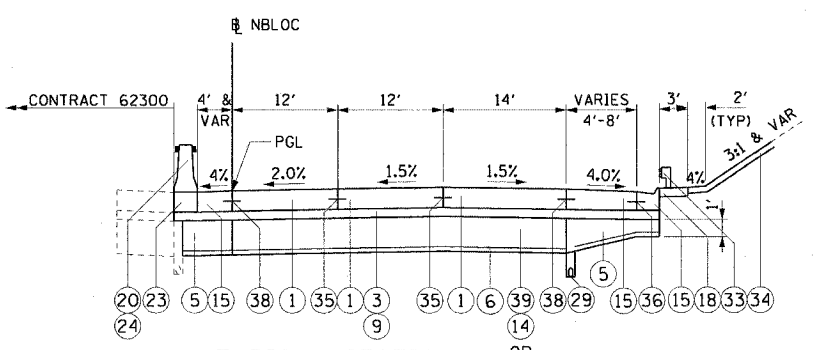
4 TYPICAL SECTION NB LOCAL LANES

STA 4461+99.18 TO STA 4468+57.90
STA 4474+10.95 TO STA 4474+50.00



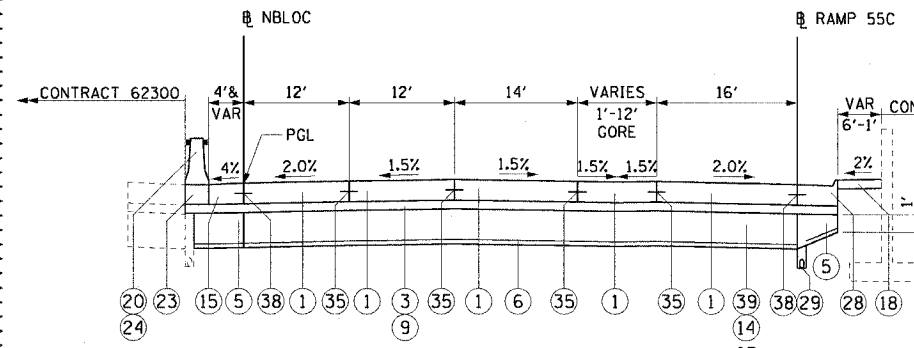
2 TYPICAL SECTION NB LOCAL LANES

STA 4455+57.88 TO STA 4458+76.39



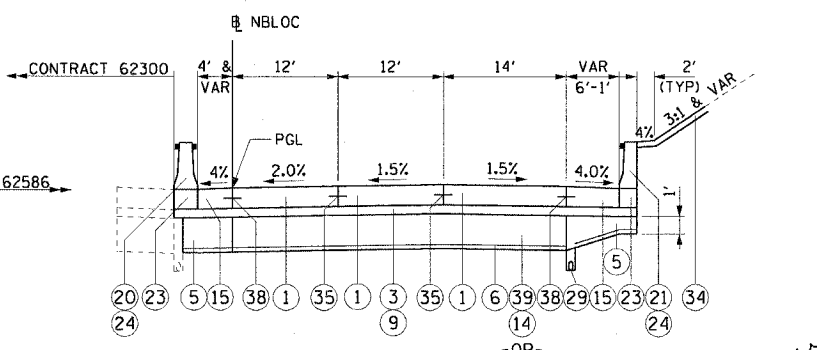
5 TYPICAL SECTION NB LOCAL LANES

STA 4468+57.90 TO STA 4472+56.43



3 TYPICAL SECTION NB LOCAL LANES

STA 4458+76.39 TO STA 4461+99.18



6 TYPICAL SECTION NB LOCAL LANES

STA 4472+56.43 TO STA 4474+10.95

- NOTES:**
- SEE ROADWAY DETAILS FOR VARIABLE HEIGHT OF THE DOUBLE FACE BARRIER WALL AND FOR THE TYING OF THE BARRIER BASE TO THE PCC SHOULDER AND FOR THE LIMITS OF CONSTRUCTION OF THE SUB-BASE GRANULAR MATERIAL UNDER THE DOUBLE FACE BARRIER WALL.
 - THE SHOULDER RUMBLE STRIPS SHALL BE PLACED IN ALL PROPOSED AND EXISTING SHOULDERS ACCORDING TO IDOT STANDARD 642001. SEE ROADWAY PLANS FOR EXACT LOCATIONS.
 - TYPICAL SECTIONS NEED TO BE VERIFIED WITH THE ROADWAY PLANS AS THEY ARE A REPRESENTATION OF THE PLANS. THEY DO NOT SHOW ALL CONFIGURATIONS, JUST THE MOST PREDOMINANT.

NOTES CONT:

- THE SLOPE OF THE STABILIZED SUB-BASE 4 1/2" UNDER THE SHOULDERS AND CURB & GUTTER SHALL MATCH THE SLOPE OF THE ADJACENT PAVEMENT IN THE NORMAL CROWNED AREAS.

REVISIONS	
NAME	DATE
ADDENDUM 1	7/27/06

ILLINOIS DEPARTMENT OF TRANSPORTATION
F.A.I. 90/94 (DAN RYAN EXPRESSWAY)
63RD STREET TO GARFIELD BLVD (NB LOCAL LANES)

**PROPOSED TYPICAL SECTIONS
NORTHBOUND LOCAL LANES**

SCALE: H:V=10' V:1"=5'
DATE: June 9, 2006

DRAWN BY: NJH
CHECKED BY: RMG