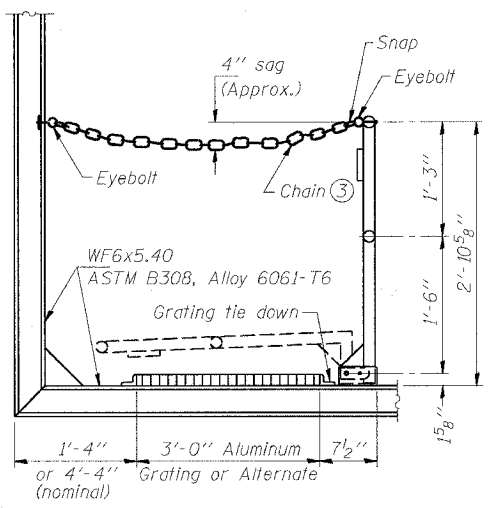


STATE OF ILLINOIS
DEPARTMENT OF TRANSPORTATION

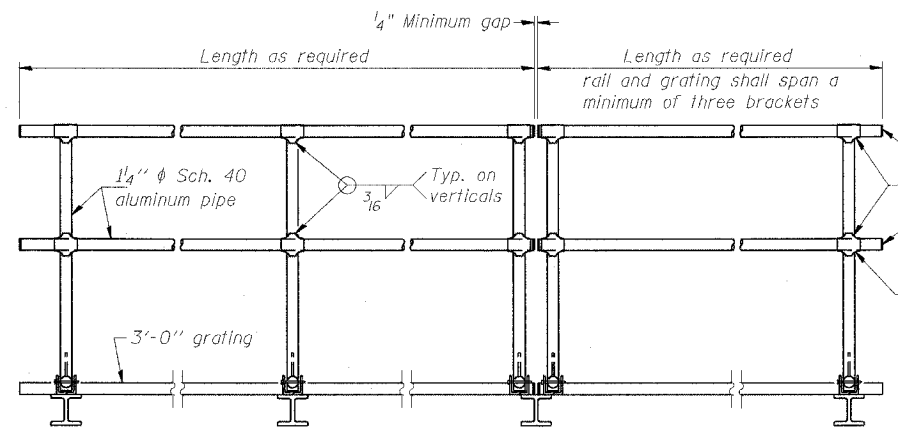
ROUTE NO.	SECTION	COUNTY	TOTAL SHEETS	SHEET NO.
F.A.I. RTE. 90/94		COOK	312	155
FED. ROAD DIST. NO. 1	ILLINOIS	FED. AID PROJECT		

• (1919.15 & 2021-922 PT.1) R-1 60A62



SIDE ELEVATION

(Showing safety chain w/o sign)



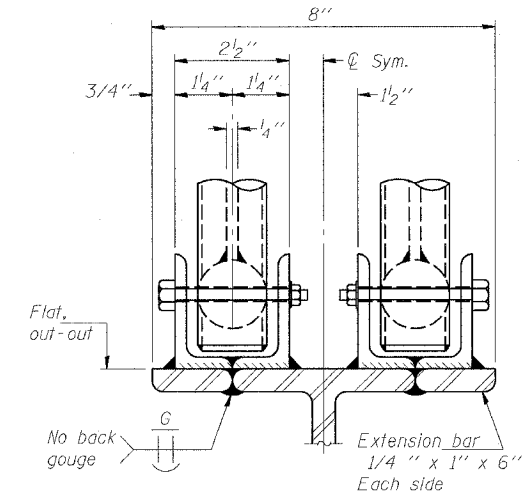
FRONT ELEVATION

HANDRAIL DETAILS

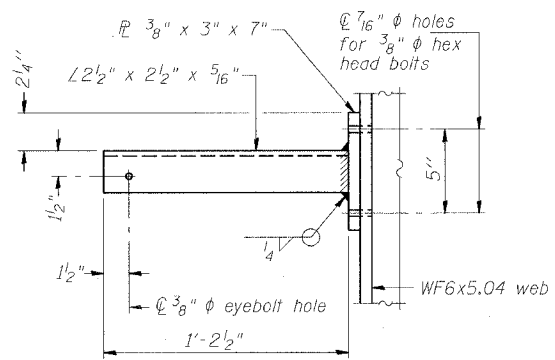
Handrail pipe shall be ASTM B241, Alloy 6063-T6 or Alloy 6061-T6.

② Horizontal handrail member shall be continuous thru fitting. Provide 7/16" φ hole in fitting for 3/8" φ bolt. Field drill 1/16" φ hole in horizontal rail member. Provide washer and locknut for bolt. (Use 5/16" eyebolts in 7/16" φ holes on top rail at ends only.)

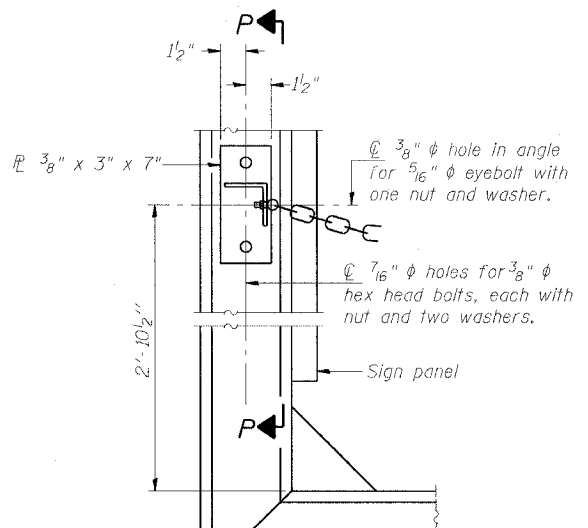
① Install standard force-fit end caps or weld 1/8" end plates with 1/8" c.f.w. and grind smooth. (All rail ends)



ELEVATION AT HANDRAIL JOINT ④

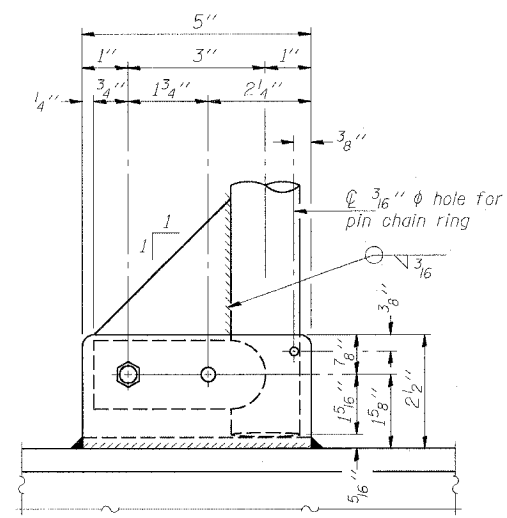


SECTION P-P

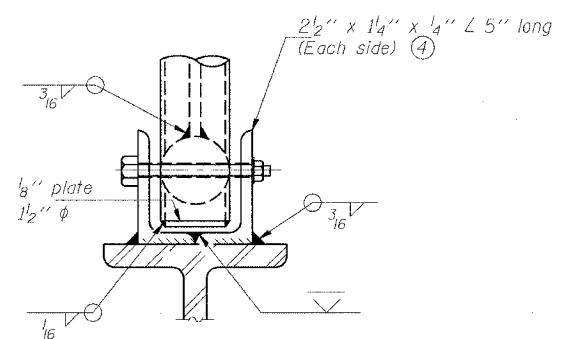


ALTERNATE SAFETY CHAIN ATTACHMENT

(With Sign Present)
Items not shown same as "Side Elevation" of "Handrail Details"

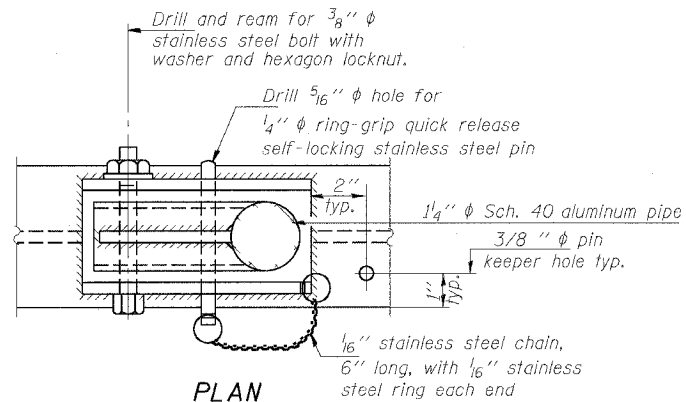


SIDE ELEVATION

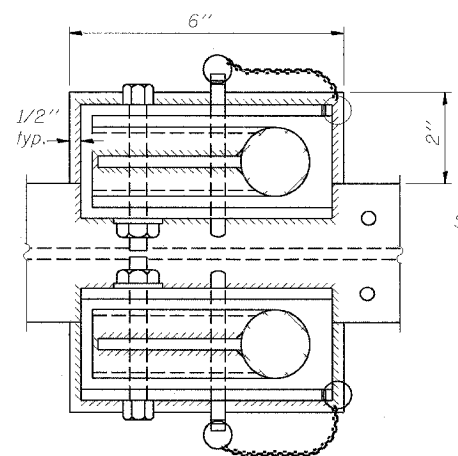


FRONT ELEVATION

See "ELEVATION" at right for dimensions.

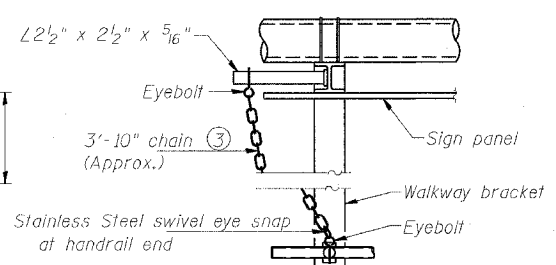


PLAN
DETAIL E HANDRAIL HINGE



PLAN AT HANDRAIL JOINT

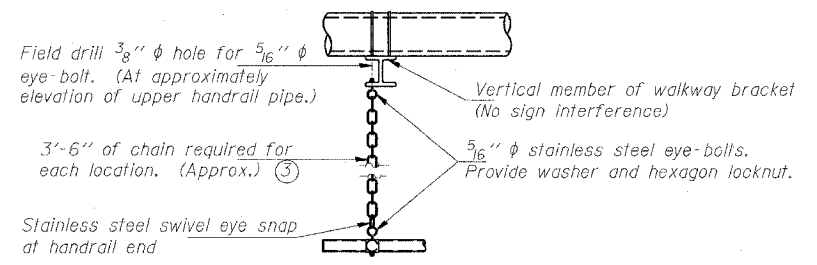
Details not shown same as "PLAN"



ALTERNATE SAFETY CHAIN ATTACHMENT

Details not shown similar to "Safety Chain" Details (Walkway omitted for clarity)

- ③ 3/16" type 304L stainless steel chain, approximately 12 links per foot.
- ④ Extrusions may be used in lieu of the details shown, with approval of the Engineer.



SAFETY CHAIN

One required for each end of each walkway.

**OVERHEAD SIGN STRUCTURES
ALTERNATE ALUMINUM HANDRAIL DETAILS
FOR DMS**

F.A.I. 90/94 (DAN RYAN EXPRESSWAY)
63RD STREET TO GARFIELD BLVD (NB LOCAL LANES)
PROPOSED IMPROVEMENT
63RD STREET TO GARFIELD BLVD

DESIGNED	JSS
CHECKED	RDP
DRAWN	JSS
CHECKED	RDP

EXAMINED	20
PASSED	

ENGINEER OF STRUCTURAL SERVICES
ENGINEER OF BRIDGES AND STRUCTURES

NUMBER	REVISION	DATE
1	Updated Sheet	7/21/06

P:\P\40468\CH\108\Chrs 18 & 19\CH\CH18\BASI\Signing\SS18A0282A.dwg 7/27/2006 12:53:16 PM