

SUMMARY OF QUANTITIES

CODE NO.	ITEM	UNIT	QUANTITY	90% FEDERAL / 10% STATE													
				URBAN ROADWAY		RETAINING WALL		BRIDGE		SIGNING	SAFETY	LIGHTING	SURVEILLANCE	CDDT LIGHTING			
				J000	Y007	O16-W923	O16-W931	STR NO 016-0142	STR NO 016-1148						Y002-1C	SFTY-3N	Y030-1E
Z0030250	IMPACT ATTENUATORS, TEMPORARY (NON-REDIRECTIVE), TEST LEVEL 3	EACH	4									4					
Z0030350	IMPACT ATTENUATORS, RELOCATE (NON-REDIRECTIVE), TEST LEVEL 3	EACH	1									1					
Z0040530	PIPE UNDERDRAIN REMOVAL	FOOT	1,017	1,017													
Z0048665	RAILROAD PROTECTIVE LIABILITY INSURANCE	L SUM	1	1													
Z0076600	TRAINEES	HR	1500	1500													
X0325499	AERIAL CABLE, 2 1/2 NO. 4	FOOT	150														150
X0325491	CONDUIT EMBEDDED IN STRUCTURE, 2" DIA., SCH. 80 PVC	FOOT	653														653
X0325492	CONVENTIONAL STREET LIGHTING UNIT WALL MOUNTED, INSTALL ONLY	EACH	8														8
X0325494	GALVANIZED STEEL CONDUIT IN TRENCH, 2" DIA., SCH. 40	FOOT	25														25
B0700110	GROUND ROD, 3/4" DIA. X 10 FT.	EACH	8														8
X0325500	JUNCTION BOX, STAINLESS STEEL, EMBEDDED IN STRUCTURE, TYPE J	EACH	2													2	
X0324223	MAINTAIN EXISTING LIGHTING SYSTEM	L SUM	1														1
X0945500	PAINT EXISTING POLE COMPLETE	EACH	8														8
X0325495	REMOVE EXISTING STREET LIGHTING UNIT AND SALVAGE	EACH	9														9
X0324901	REMOVE EXISTING STREET LIGHTING FOUNDATION	EACH	9														9
X0325496	TRENCH AND BACKFILL WITH SCREENINGS AND/OR SAND	FOOT	25														25
X0325493	CABLE IN CONDUIT, <sup>TRIPLEX</sup> 2-1/2 NO. 6 AND 1-1/2 NO. 8 GND.	FOOT	840														840
X0325501	FABRIC REINFORCED ELASTOMERIC MAT	SO FT	63				63										
X0325303	STRUCTURAL REPAIR OF CONCRETE (DEPTH GREATER THAN 5")	SO FT	15													15	
X0325305	STRUCTURAL REPAIR OF CONCRETE (DEPTH EQUAL TO OR LESS THAN 5")	SO FT	993												458	535	
XX004210	DUCTILE IRON PIPE STORM SEWERS, 12"	FOOT	143	143													
X0325502	MEDIAN BARRIER GATE SYSTEM	EACH	1	1													
X0325503	REMOVAL OF EXISTING TEMPORARY SOIL RETENTION SYSTEM	FOOT	926	926													
46900200	NON-SPECIAL WASTE DISPOSAL	CU YD	4,500	4,500													
46900450	SPECIAL WASTE PLANS AND REPORTS	L SUM	1	1													
46900530	SOIL DISPOSAL ANALYSIS	EACH	2	2													

© Y080

\* DENOTES SPECIALTY ITEMS

CTE | AECOM

- △ Rev. 9-13-06
- △ Rev. 9-11-06
- △ Rev. 8-21-06

S00-7

REVISIONS	
NAME	DATE

ILLINOIS DEPARTMENT OF TRANSPORTATION  
F.A.I. 90/94 (DAN RYAN EXPRESSWAY)  
63RD STREET TO GARFIELD BLVD (NB LOCAL LANES)

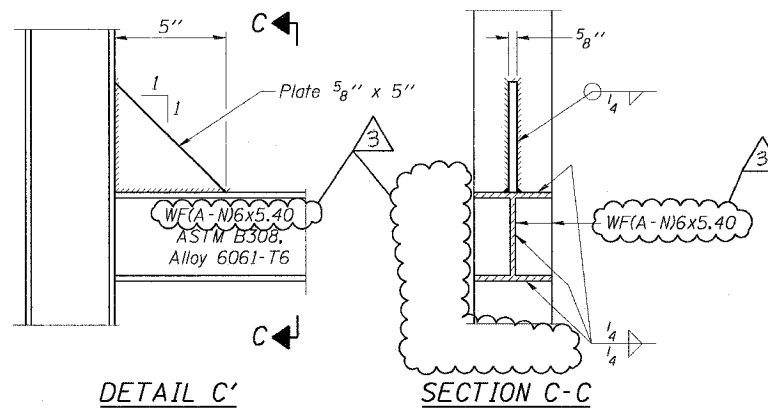
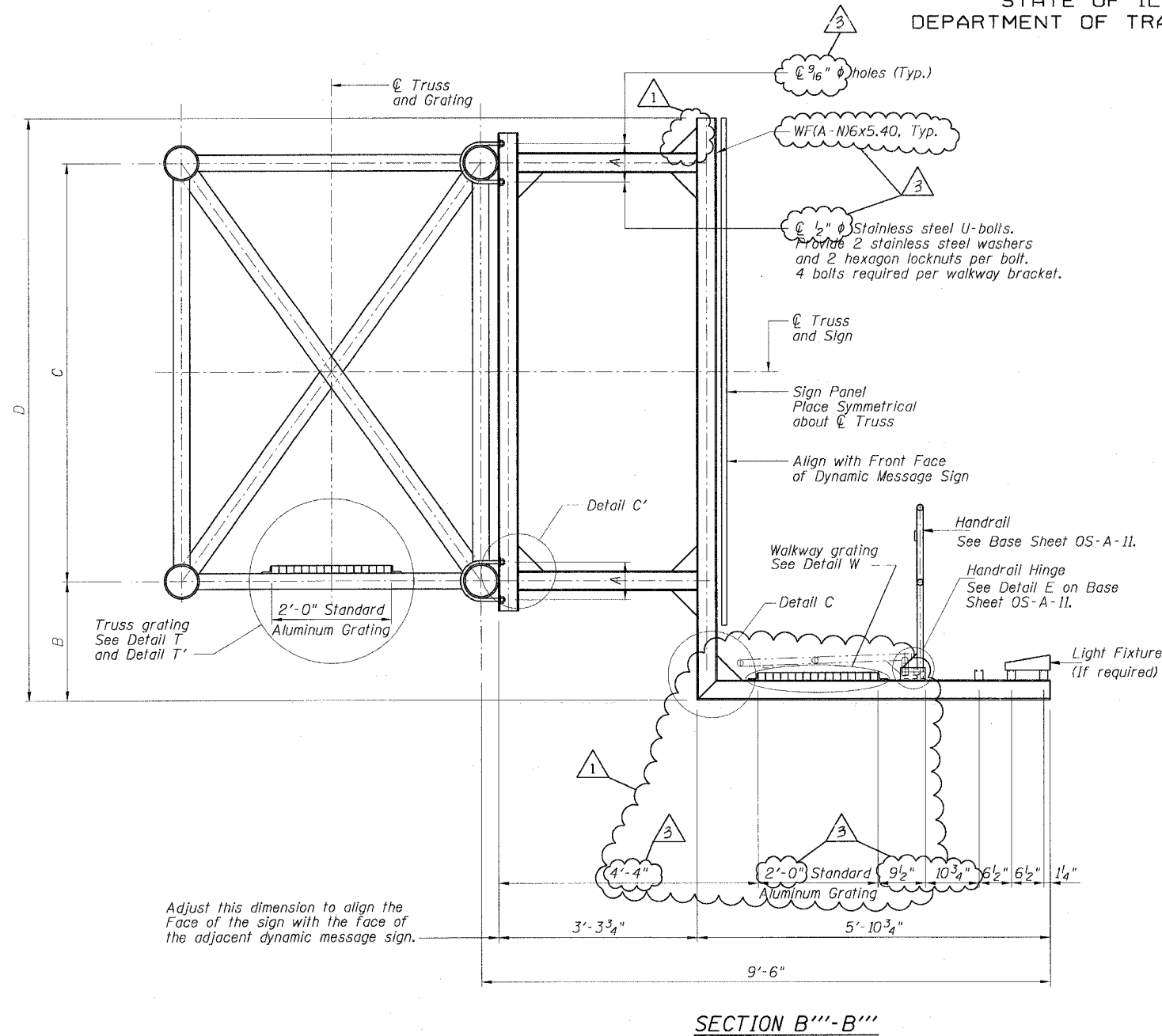
SUMMARY OF QUANTITIES

SCALE: NONE DRAWN BY: NJH  
DATE: June 9, 2006 CHECKED BY: RMG

6/9/2006 9:38:43 AM

STATE OF ILLINOIS  
DEPARTMENT OF TRANSPORTATION

ROUTE NO.	SECTION	COUNTY	SHEET NO.	SHEET TOTAL
F.A.I. RTE. 90/94	-	COOK	312	154
FED. AID DIST. NO. 1	ILL. DIST.	FED. AID PROJECT		
1919.15 & 2021.922 P1.J1 R-1			60A62	



DESIGNED - JSS	20
CHECKED - RDP	EXAMINED
DRAWN - JSS	PASSED
CHECKED - RDP	

MODIFIED BY CTE ENGINEERS, INC FROM OS-A-9-DMS2

REVISIONS		
NAME	DATE	
Addendum 1	7/27/06	
Addendum 2	9/12/06	

OSS-27

OVERHEAD SIGN STRUCTURES  
ALTERNATE ALUMINUM WALKWAY DETAILS

F.A.I. 90/94 (DAN RYAN EXPRESSWAY)  
63RD STREET TO GARFIELD BLVD (NB LOCAL LANES)  
PROPOSED IMPROVEMENT  
63RD STREET TO GARFIELD BLVD

09/12/2006 03:16:31 PM