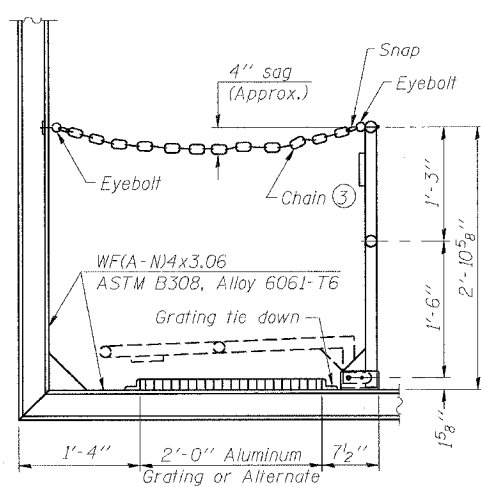
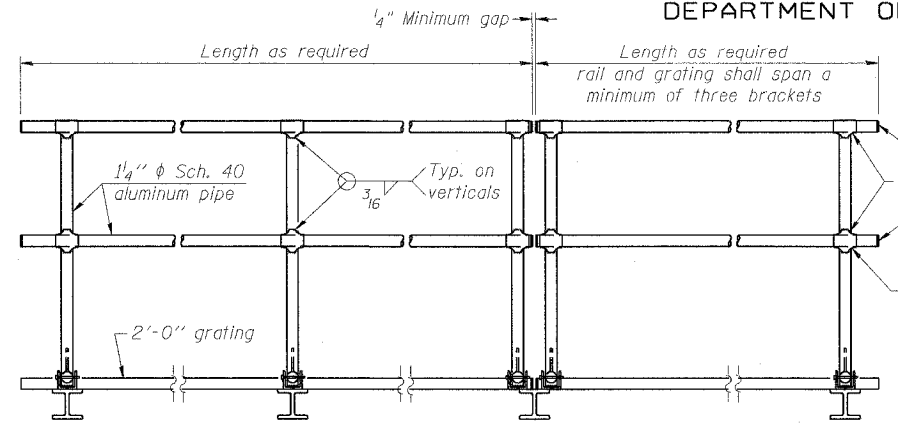


STATE OF ILLINOIS
DEPARTMENT OF TRANSPORTATION

ROUTE NO.	SECTION	COUNTY	TOTAL SHEETS	SHEET NO.
F.A.I. RTE. 90/94		COOK	247	111
FED. ROAD DIST. NO. 1	ILLINOIS	PER. AID PROJECT		
• (1915.15 & 2021-922 PT.1) R-2				



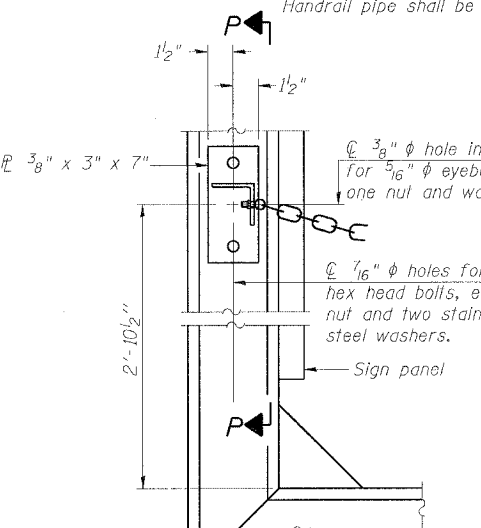
SIDE ELEVATION
(Showing safety chain w/o sign)



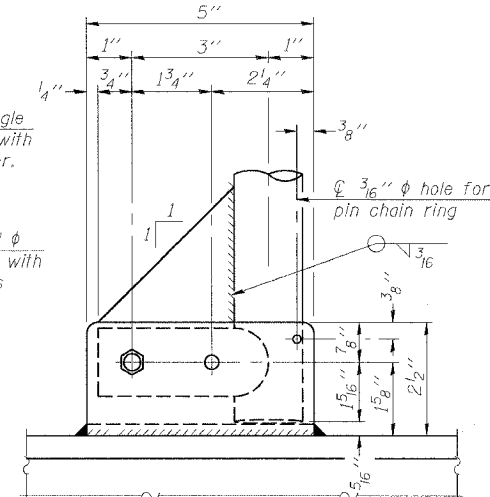
FRONT ELEVATION

HANDRAIL DETAILS

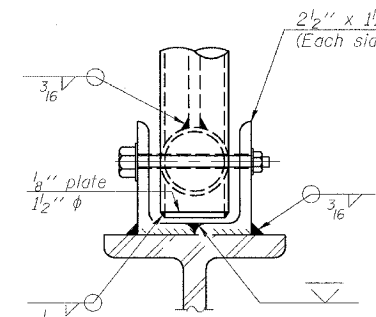
Handrail pipe shall be ASTM B241, Alloy 6063-T6 or Alloy 6061-T6.



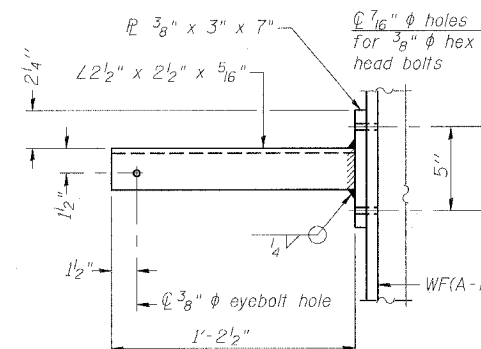
ALTERNATE SAFETY CHAIN ATTACHMENT
(With Sign Present)
Items not shown same as "Side Elevation" of "Handrail Details"



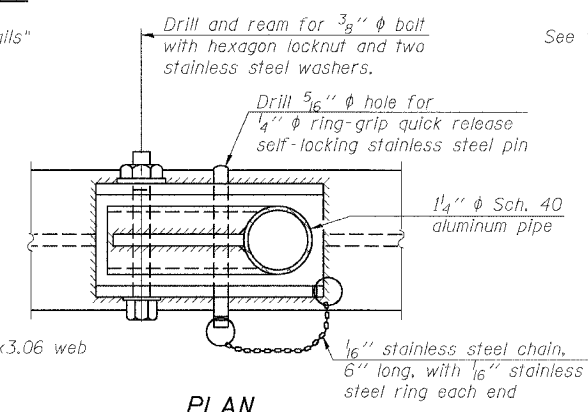
SIDE ELEVATION



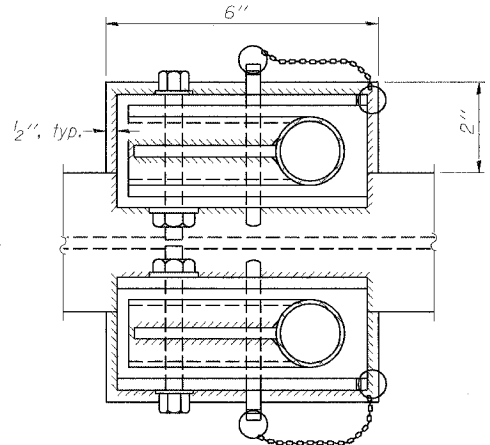
FRONT ELEVATION
See "Elevation" at right for dimensions.



SECTION P-P



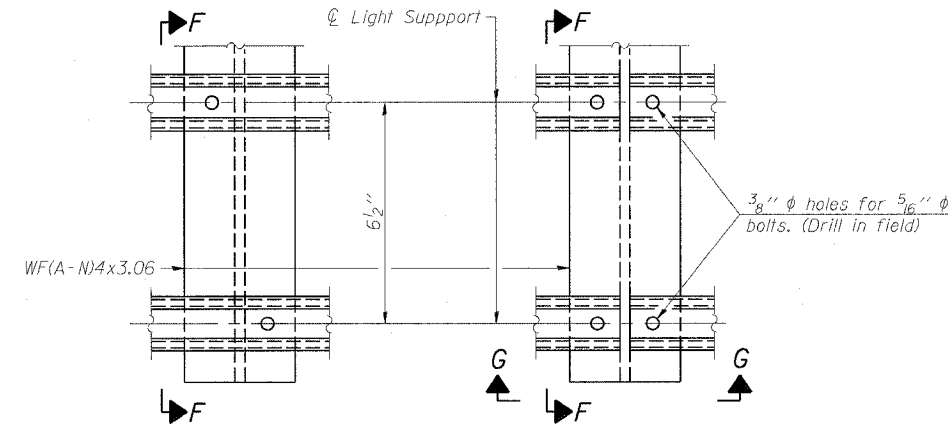
**PLAN
DETAIL E HANDRAIL HINGE**



PLAN AT HANDRAIL JOINT
Details not shown same as "PLAN"

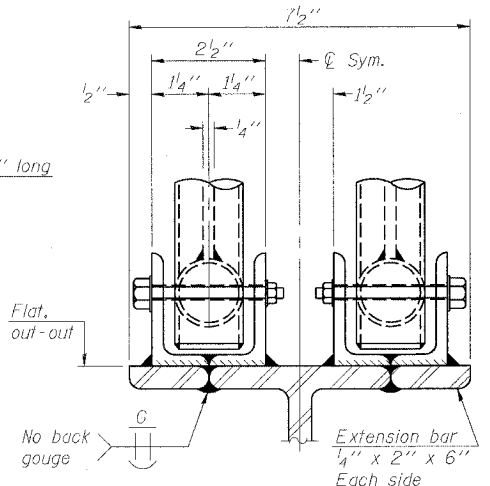
① Install standard force-fit end caps or weld 1/8" end plates with 1/8" c.f.w. and grind smooth. (All rail ends)
Fittings-ASTM B26, Alloy 356-T7

② Horizontal handrail member shall be continuous thru fitting. Provide 7/16" hole in fitting for 3/8" bolt. Field drill 7/16" hole in horizontal rail member. Provide locknut and two stainless steel washers for bolt. (Use 5/16" eyebolts in 7/16" holes on top rail at ends only.)

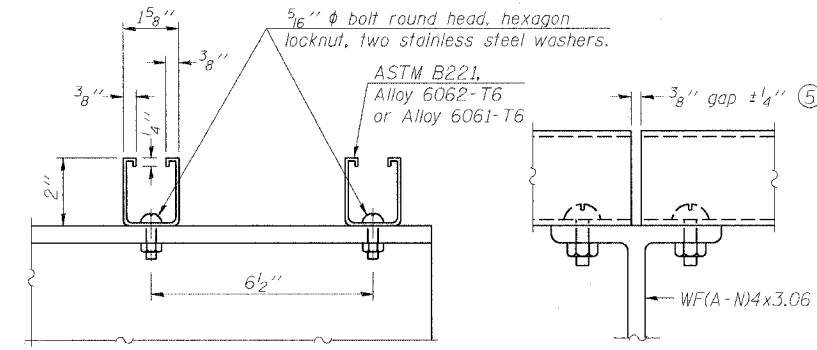


DETAIL F

DETAIL G



ELEVATION AT HANDRAIL JOINT ④

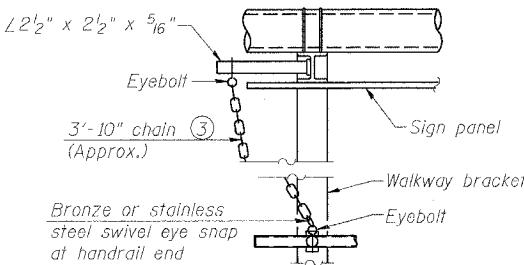


SECTION F-F

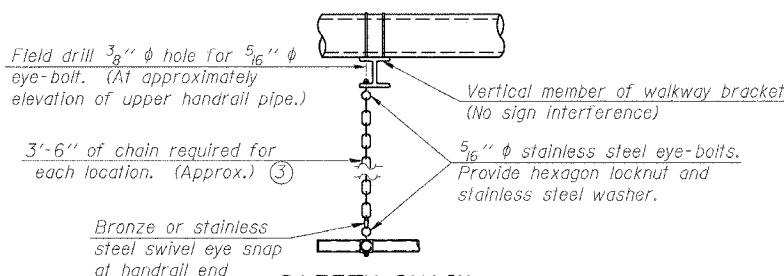
SECTION G-G

LIGHTING FIXTURE MOUNTS (IF REQUIRED)

⑤ Field cut ends of light support channels shall be free of burrs or hazardous projections and coated with zinc-rich primer or equivalent.



ALTERNATE SAFETY CHAIN ATTACHMENT
Details not shown similar to "Safety Chain" Details (Walkway omitted for clarity)



SAFETY CHAIN

One required for each end of each walkway.

DESIGNED	JSS
CHECKED	MJP
DRAWN	JSS
CHECKED	MJP

EXAMINED	20
PASSED	

NUMBER	REVISION	DATE

OSS-13

**OVERHEAD SIGN STRUCTURES
ALUMINUM HANDRAIL DETAILS**

F.A.I. 90/94 (DAN RYAN EXPRESSWAY)
63RD STREET TO GARFIELD BLVD (SB LOCAL LANES)
PROPOSED IMPROVEMENT

6/2/2006 11:24:41 AM P:\P40466\CHINB\CHINB-18 & 19\SIGN\CHN-18\AS\Sign\SS94032A.dwg