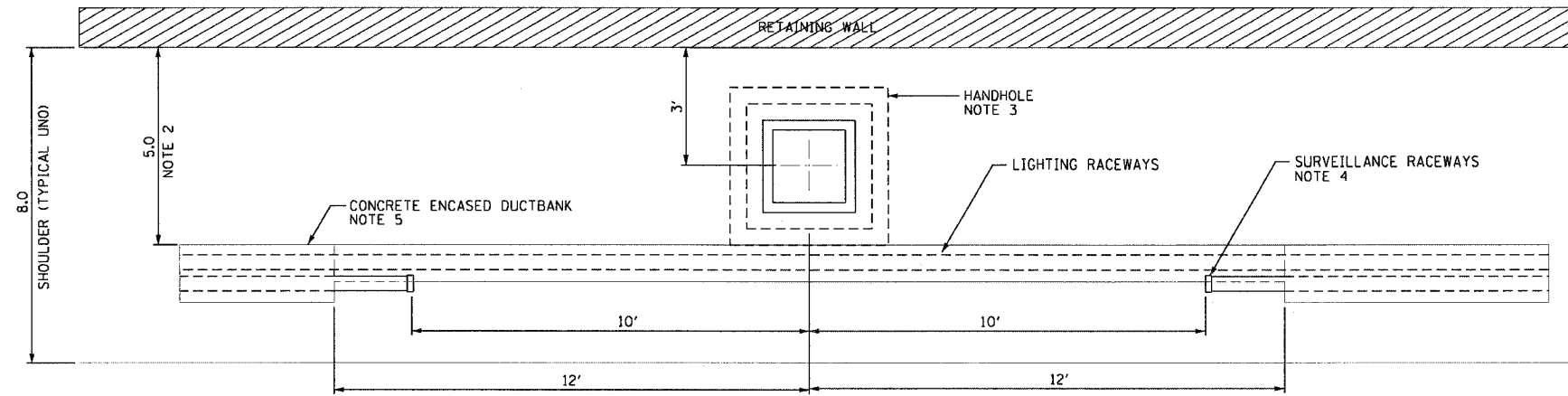
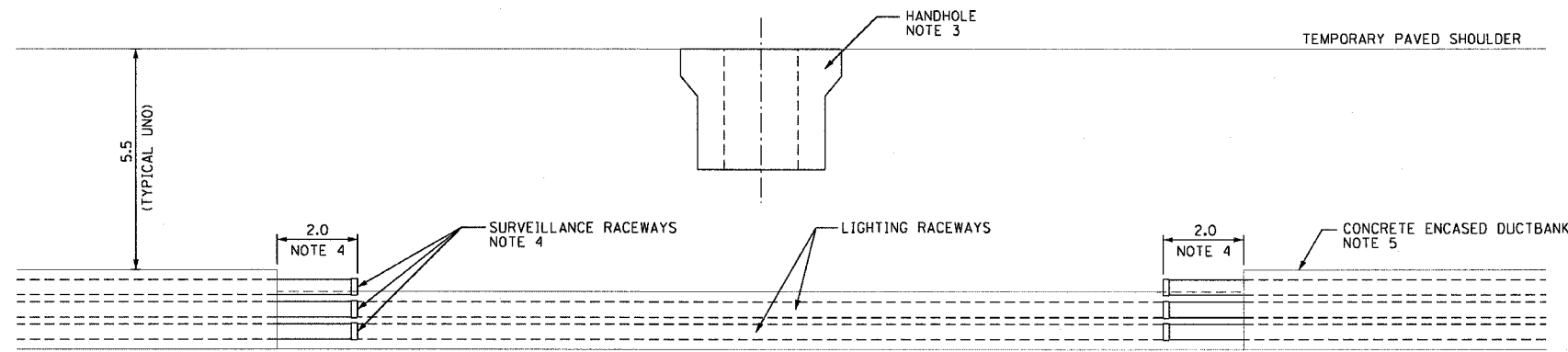


F.A.I. RTE.	SECTION	COUNTY	TOTAL SHEETS	SHEET NO.
90/94	*	COOK	247	145
STA.		TO STA.		
FED. ROAD DIST. NO. 1		ILLINOIS FED. AID PROJECT		
60A63		* (1919.15, 2021-922 PT1 & PT2) R-2		



TOP VIEW



ELEVATION VIEW

NOTES:

- SEE DRAWING EI-105 FOR ELECTRICAL DUCTBANK DETAILS.
- THE DISTANCE IS MEASURED FROM THE FRONT FACE OF RETAINING WALL TO THE FACE OF DUCTBANK.
- THE HANDHOLE WILL BE INSTALLED CONTRACT 60A63. THE PLANS SHOW THE ANTICIPATED LOCATIONS OF PROPOSED HANDHOLES. THIS SHEET IS INCLUDED TO PROVIDE THE CONTRACTOR WITH ANTICIPATED EXISTING CONDITIONS. DUCTBANK SHOWN WAS INSTALLED IN CONTRACT 62586.
- THE SURVEILLANCE RACEWAYS SHOULD BE STUBBED OUT FROM THE CONCRETE ENCASEMENT AND CAPPED AS SHOWN. THE DUCTBANK REINFORCING REBAR SHOULD ALSO BE EXTENDED OUT FROM THE CONCRETE ENCASEMENT A MINIMUM OF 2 FEET AS SHOWN.
- DUCTBANK WAS LOCATED 5 FEET FROM THE FACE OF WALL TO AVOID CONFLICTS WITH PROPOSED AND FUTURE DRAINAGE STRUCTURES.

CTE | AECOM

EI-106

REVISIONS	
NAME	DATE

ILLINOIS DEPARTMENT OF TRANSPORTATION  
 F.A.I. 90/94 (DAN RYAN EXPRESSWAY)  
 63RD STREET TO GARFIELD BLVD (SB LOCAL LANES)  
 EXISTING DUCTBANK  
 INSTALLATION DETAILS  
 AT PROPOSED HANDHOLE

SCALE: NOT TO SCALE  
 DATE: June 9, 2006  
 DRAWN BY: HAR  
 CHECKED BY: JPC

06/09/2006 03:03:37 PM