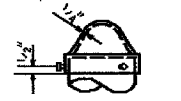


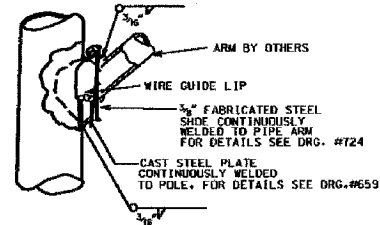
F.A.I. RTE.	SECTION	COUNTY	TOTAL SHEETS	SHEET NO.
90/94		COOK	247	156
STA. TO STA.				
FED. ROAD DIST. NO. 1 ILLINOIS FED. AID PROJECT				
60A63 • (1919.15, 2021-922 PT1 & PT2) R-2				

NOTES:

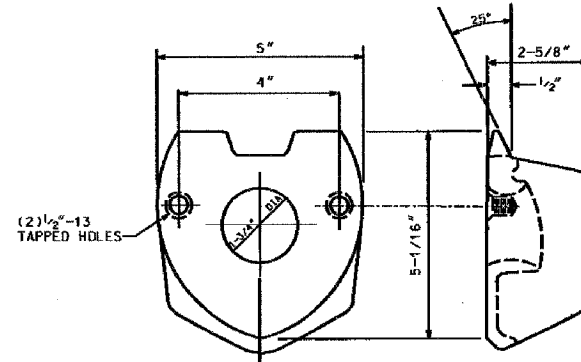
- THIS IS A STANDARD DRAWING MADE BY THE CITY OF CHICAGO, DEPARTMENT OF STREETS AND SANITATION, BUREAU OF ELECTRICITY. THIS DRAWING IS INCLUDED FOR THE CONVENIENCE OF THE CONTRACTOR.



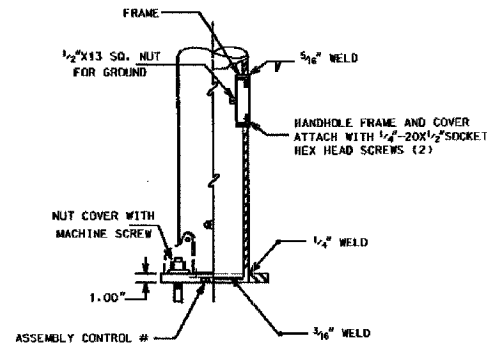
3/8"-16NCX3/4" LONG SET SCREWS (3@120°)
POLE CAP
FOR DETAILS SEE DRG. # 11420-A



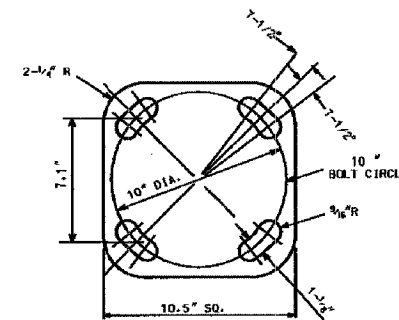
SECTION AT POLE PLATE



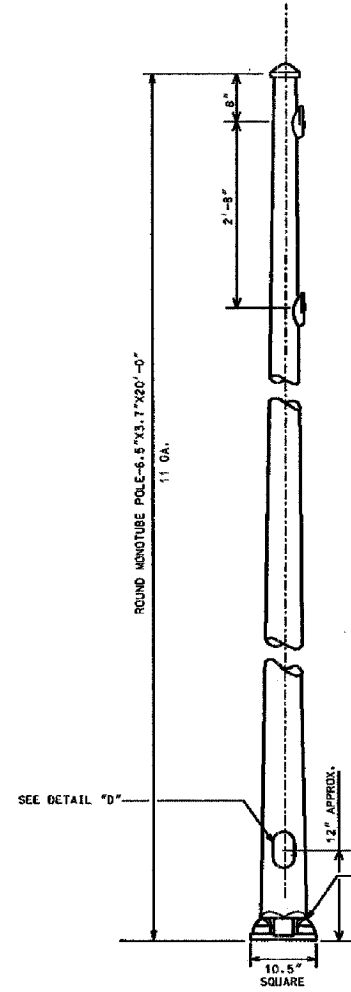
2 BOLT MAST ARM ATTACHMENT
FOR DETAILS SEE DRG. # 659 MATERIAL: CAST STEEL



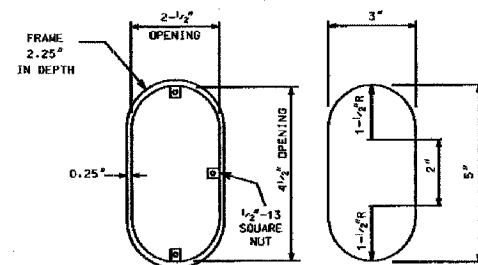
DETAIL "D"



DETAIL "A"
BOLT SLOTS



ROUND MINUTUBE POLE-4.5"x3.7"x20'-0"
11 GA.
2'-8"
2'-9"
10.5" SQUARE
12" APPROX.
SEE DETAIL "D"
BOLT COVER W/ HEX HD. ST. STL. MACH. SCREWS



FRAME **DOOR**
HANDHOLE **DETAIL**

3.7"x6.5" STEEL/20'-0" POLE 11 GAUGE		
CITY OF CHICAGO DEPT. OF STREETS AND SANITATION BUREAU OF ELECTRICITY DIVISION OF ELECTRICAL ENGINEERING		
DRAFTSMAN: ROBERT IVY	CHIEF DRAFTSMAN: ROBERT CARTER	ENGINEER: RON POOL
SUPERVISING ENGINEER:	ELEC. DESIGN ENGR.:	DWG. NO.
ENGINEER OF ELECTRICITY:		652
DEPT. SUPERV. ELECTRICITY:		
DEPUTY COMMISSIONER:		
		10-03-01

REVISIONS	NAME	DATE

ILLINOIS DEPARTMENT OF TRANSPORTATION
F.A.I. 90/94 (DAN RYAN EXPRESSWAY)
63RD STREET TO GARFIELD BLVD (SB LOCAL LANES)

STANDARD BOE DETAILS

SCALE: NOT TO SCALE DRAWN BY: HAR
DATE: June 9, 2006 CHECKED BY: JPC

I:\p\0465\elec\jv-cntrs 18 & 19\contract\190\ch\1800020.dwg