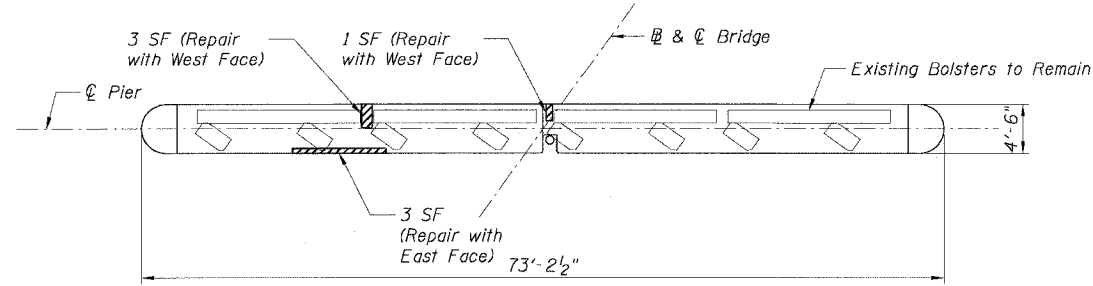
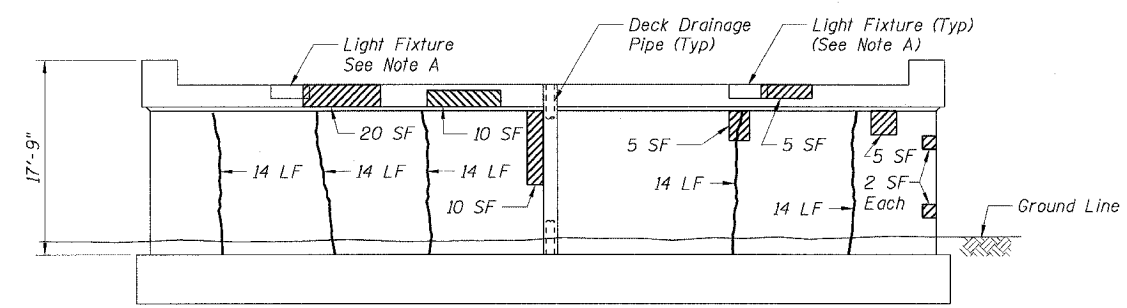


STATE OF ILLINOIS
DEPARTMENT OF TRANSPORTATION

F.A.I. RTE. 90/94	SECTION •	COUNTY COOK	TOTAL SHEETS 247	SHEET NO. 180
STA.		TO STA.		
FED. ROAD DIST. NO. 1	ILLINOIS	FED. AID PROJECT		
60A63	• (1919.15, 2021-922 PT1 & PT2) R-2			

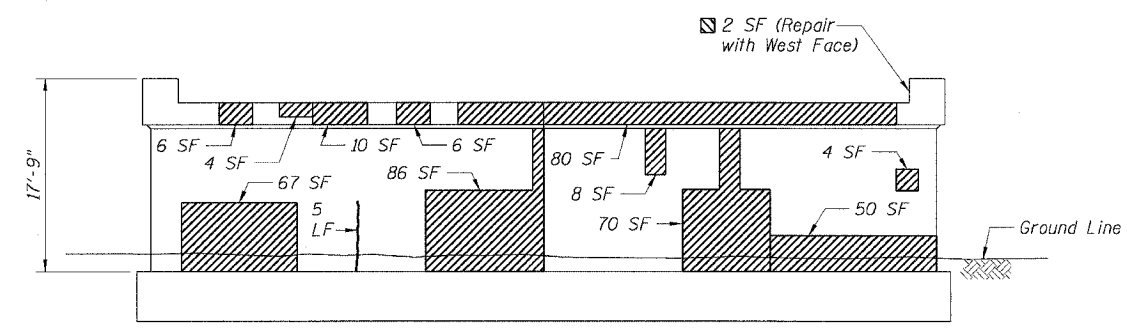


**PLAN
PIER 7
(S.N. 016-0142)**

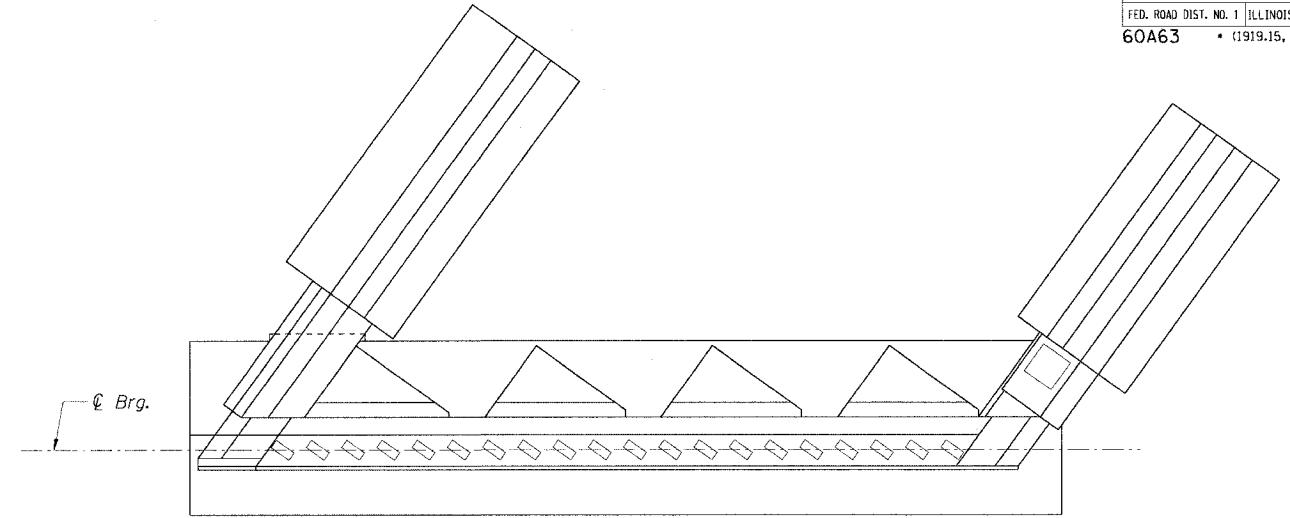


**ELEVATION
PIER 7 - EAST FACE
(S.N. 016-0142)**

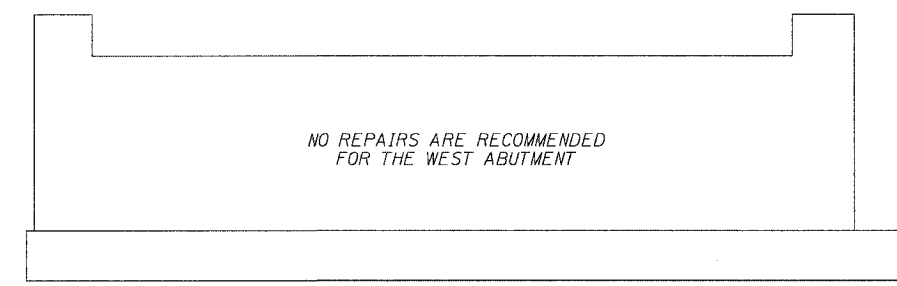
Note A:
The Contractor shall detach the Light Fixture and reattach after repairs have been completed. Cost shall be incidental to Structural Repair of Concrete.



**ELEVATION
PIER 7 - WEST FACE
(S.N. 016-0142)**



**PLAN
WEST ABUTMENT
(S.N. 016-0142)**



**ELEVATION
WEST ABUTMENT - EAST FACE
(S.N. 016-0142)**

LEGEND

- Area of Structural Repair of Concrete (Depth Equal to or Less Than 5')
- Epoxy Crack Sealing

CTE | AECOM

BILL OF MATERIAL				
Item	Unit	Quantity		
		Pier 7		
		East Face	West Face	
Structural Repair of Concrete (Depth Equal to or Less Than 5')	Sq Ft	62	395	
Epoxy Crack Sealing	LF	70	5	
Protective Coat	Sq Yd	7	44	

REVISIONS	
NAME	DATE

ILLINOIS DEPARTMENT OF TRANSPORTATION
F.A.I. 90/94 (DAN RYAN EXPRESSWAY)
63RD STREET TO GARFIELD BLVD (SB LOCAL LANES)
PIER 7 AND WEST ABUTMENT
PLAN AND ELEVATION
SUBSTRUCTURE AND ABUTMENT REPAIRS
CONRAIL BRIDGE (SN 016-0142)
COOK COUNTY

SCALE: None DRAWN BY: CHD
DATE: June 9, 2006 CHECKED BY: MJP

F:\P40466\Struct\B-C\11718\B-C\11719A\SNRPT\19A0062A\60A63.dwg 6/27/2006 10:53:46 AM